



20**20**

The New **Original**

The New Original

Give people the tools, and they will build incredible stuff.

That is what it is about, and what it has always been about. We started this journey way back in 1982, creating the worlds first modular aluminium trussing system. That invention, and everything that has followed, has been driven by recognising the needs and demands of a fledgling industry that has since become a global phenomenon – the live events. For us, this means facilitating the build and rebuild of literally thousands of structures every year, and the according stories of excitement, emotion and joy that are so fundamentally human. So for us that defines it, the need to innovate, to enable and ultimately to continue working towards our end goal: to help you build incredible stuff.

Some history. And the future.

Our founding shareholders all share a connection, back in the early days of the phenomenon that is aluminium trussing. Pioneers and visionaries, together responsible for countless innovations that have framed the landscape of todays marketplace. A casual discussion in Leeds, UK, brought together a few of those bright minds, separated by the passing of time. They started with a simple question – how would we do this better? Cappuccino's were consumed, and some thoughts were sparked, with the kind of spark that is hard to extinguish. A simple conclusion; what was missing, was passion, and simplicity of purpose that comes with that. Oh, and the right team, a combination of all the experience and lessons learned, with young, dynamic people to drive the future forward. And so the formula for SIXTY82 was discovered...

Bringing together over 100 years of entertainment industry leadership of our shareholders, the company is a British, Dutch and French alliance designed specifically to bring a fresh view in to the market. Headquartered in Drachten, Netherlands, SIXTY82 has every component required to change the way that lightweight structural systems are used. All over again.



Simplicity. By definition, in purchase, in use and in support.

By Definition. In order to do great work, tools need to be a facilitator, not a distraction. They need to work intuitively, be easy to understand yet far reaching in their capability. We call this wide platform modular engineering; behind that we have the strongest technical team in the industry. Their aim is to rationalise products by improving them; reducing inventory, save time and diminish the carbon footprint.

In Purchase. This means that we will have a razor sharp catalogue that is capable of supporting every build: nothing else. In turn, the experience and knowledge of our dedicated SIXTY82 sales centres will work to ensure rapid availability of every component. We fully understand that non delivery could mean no show.

In Use. With form following function and a restless drive to reduce waste, excess and complexity, our products will be better to work with. From our improved load performance and high production accuracy to the world-first RFID integration. We are producing products that are both easier and more reliable in use. This leaves room for imagination and creativity and ensures that your end result will be better than ever before.

In Support. We have learnt over the years that our products can only perform with the right level of support. To that end, we have the strongest technical team in the industry, who are here for you if you need any help, from the start of the project to the very end. They are inspired by working every day to ensure that our partners push the boundaries to do incredible things.

Technical Innovation

Technical innovation is at the heart of what we do. This year, we are delighted to launch with a number of world firsts in the trussing and staging industry. Our commitment is to support our technical team deliver innovations and new product launches every season – all designed into a modular roadmap to allow you to efficiently scale your investment – and build incredible things.

RFID Ready

Together with our partners we have combined multiple new technologies into a borderless product management platform. Our RFID system will allow seamless tracking of products, both physically and in terms of technical and origination data. This will give you the confidence that you are using the right products in the right way, every single time.

TÜV Approved

SIXTY82 is employing some leading figures in the field of temporary demountable structures. These people have been involved since the beginning of this century in developing standards in Europe. Accordingly, all of our products are calculated, independently approved and assessed to the latest standards. Furthermore, as the technical pioneer of many industry leading technologies, SIXTY82 designs its products with integration in mind. This means that technically challenging constructions can be achieved with the same simplicity and peace of mind as the use of individual products.



Clear technical information, available anywhere

With the SIXTY82 app, and our roadmap for RFID integration, we will provide a single support platform which will guide you through the use of our products. This means that you can easily retrieve load, construction and compliance information wherever you are, in a simple and intuitive way. The platform will continuously be updated with new innovated functionalities such as our SIXTYView and the 3D visualiser, as we develop new technologies driven by our users.

Platform Simplicity

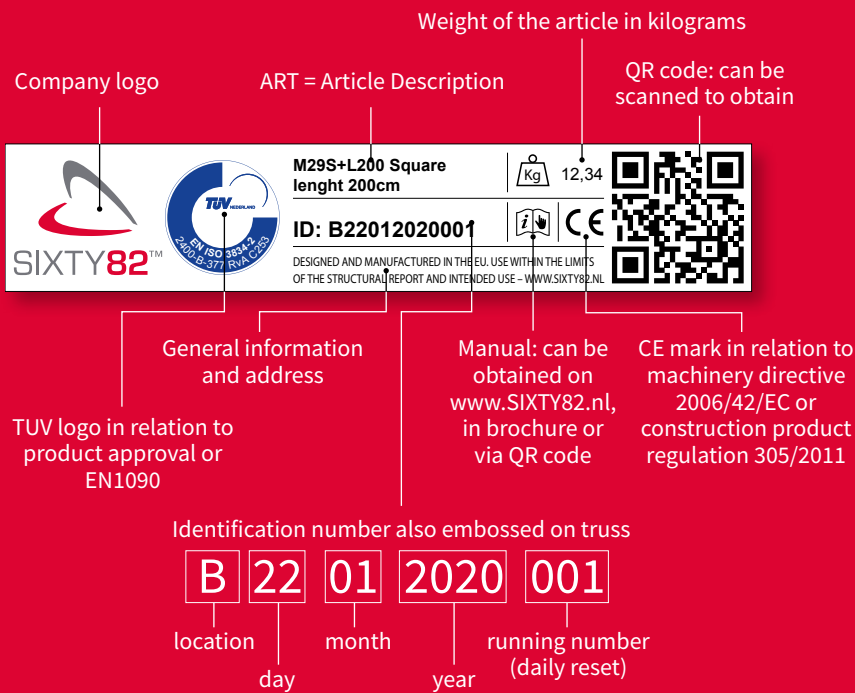
Our promise. Every product will provide solid, reliable service with a simplicity of application. You will get great advice and find a clearer and more focused product range. This means that you will need less different parts in order to achieve more; saving time, space and costs.

AR The **hidden** world behind the page?



Product Personality

In this environment, it is vital that you know both the origin and the capabilities of every product that you work with. However, product specifications, traceability and user data have long been a cumbersome for companies and individuals working in this industry. Until now. We believe that simple, accurate information is a cornerstone of safe building. Accordingly we are proud to launch a suite of tools which centralise data and facilitate easy reference, either physically or digitally, at all times. Our Product Personality system, gives a unique identification to every product and links data about its specific manufacturing process, and TUV certifications. This is unified by an online database of component information and user manuals, and tied to each individual SIXTYTag. Meaning you have multiple ways to get all of the up to date information of the product and its use, anywhere and any time.



SIXTYTag

The functionality of our Product Personality system is further enhanced with the SIXTYTag – which is standard on every section of trussing that we produce. This unique development of RFID technology combines a special tag with specific extrusion and mounting design. As a result it is optimised to maximise reading accuracy. It is used

within SIXTY82 for the management of stock and designed to facilitate open integration with other systems, enabling the growth of digital asset tracking. We have a roadmap for the development of this unique technology with enhanced functionalities such as EN inspection management and global stock with real-time availability.

SIXTYApp












The SIXTYApp is the first database enabled App platform within the trussing and staging industry. It allows instant access to Product Personalities. Meaning that simply scanning the QR code immediately gives both unique and general data about the origin and safe use of the system.

In addition to this, the App has full 3D augmented reality functionality which is aimed at making it simpler to understand the sometimes complex structural forms of trussing systems. If you scan our AR enabled products or constructions with the App, a 3D render will instantly pop up. They can be easily manipulated to engage users and facilitate quick and simple technical discussions. In the future we will use this technology as the foundation of our intelligent online education system, making it easier for you to learn about the safe and creative use of our systems.





Content

 M series	M29	9
 M series	M39	25
 L series	L35	43
 L series	L52	49
 XL series	XL101	55
	Towers	61
	Roof Systems	73
	LED Screen Supports	87
	Stage Modules	93
	Dollies and Extras	111
	Data Center	124













48.3 x 3 mm




Length

	Ladder	10
	Triangle	12
	Square	13

Corners

	Ladder	14
	Triangle	16
	Square	18

Circle

	Ladder	20
	Triangle	20
	Square	20

Accessories

21

M L XL



 3 kg/m

 ((RFID))
READY

 M

 P.124

 ALU/BLACK

Ladder - M29L

Code	Length
121001	21 cm
121002	25 cm
121003	50 cm
121004	71 cm
121005	100 cm
121007	200 cm
121009	300 cm
121011	400 cm

! Load table single span, supported sideways every 1 meter at top chord M29L

Span m	CPL kg	Deflection mm	2 x load kg	Deflection mm	3 x load kg	Deflection mm	4 x load kg	Deflection mm	UDL kg/m	Deflection mm
2.0	976.5	4	488.3	5	325.5	4	244.1	5	488.3	5
3.0	779.0	8	486.9	10	324.6	10	243.5	10	324.6	10
4.0	625.0	15	422.3	19	323.7	17	242.8	19	242.8	18
5.0	520.9	23	357.8	29	286.7	27	223.8	29	193.7	28
6.0	445.7	33	309.8	42	241.9	39	190.6	42	161.0	41
8.0	343.8	58	243.0	74	183.1	69	146.2	74	96.0	73
10.0	277.6	91	198.5	116	146.2	108	117.6	116	60.9	114
11.0	252.3	110	181.3	140	132.3	131	106.8	140	50.0	137
12.0	230.7	131	166.5	167	120.5	155	97.5	167	41.7	164

! Load table single span, supported sideways every 2 meter at top chord M29L

Span m	CPL kg	Deflection mm	2 x load kg	Deflection mm	3 x load kg	Deflection mm	4 x load kg	Deflection mm	UDL kg/m	Deflection mm
2.0	389.0	1	291.8	1	194.5	1	162.1	1	389.0	1
3.0	257.1	2	192.8	3	128.5	2	107.1	3	171.4	2
4.0	190.5	4	142.8	5	95.2	4	79.4	5	95.2	4
5.0	149.9	6	112.4	7	75.0	7	62.5	7	60.0	7
6.0	122.5	8	91.9	10	61.2	9	51.0	10	40.8	10
8.0	87.1	14	65.3	18	43.6	17	36.3	18	21.8	18
10.0	64.8	22	48.6	28	32.4	26	27.0	28	13.0	28
11.0	56.4	27	42.3	34	28.2	32	23.5	34	10.2	33
12.0	49.1	32	36.8	41	24.5	38	20.5	41	8.2	40

Load table free span M29L

Span m	CPL kg	Deflection mm	2 x load kg	Deflection mm	3 x load kg	Deflection mm	4 x load kg	Deflection mm	UDL kg/m	Deflection mm
1.0	979.2	1	489.6	1	326.4	1	244.8	1	979.2	1
2.0	389.0	1	291.8	1	194.5	1	162.1	1	389.0	1
3.0	234.0	2	176.0	2	117.0	2	98.0	2	156.0	2
4.0	146.0	3	110.0	3	73.0	3	61.0	3	73.0	3
5.0	90.0	3	68.0	4	45.0	4	38.0	4	36.0	4

Find complete loading tables on SIXTY82.nl

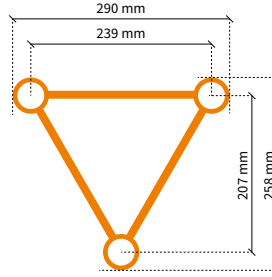
All loading data is based on calculations per EN-1999-1-1 and the following assumptions:

- Static loads only.
- Spans supported or suspended at both ends.
- Triangle trusses solely used apex-up, apex-down.
- 2 chords truss to be placed upright, supported from top chord and loaded from bottom chord.
- Truss spans can be constructed of elements of different length.
- Interaction between bending moment and shear force considered.
- Self-weight of truss is already considered.
- Assembled truss systems need an individual structural calculation. Please contact SIXTY82 or a structural engineer.
- Read the manual before use.
- Higher loading can be allowed depending on the truss configuration.





51 x 2 mm



 4 kg/m

 (RFID)
READY

 M

 P.124

 ALU/BLACK

Triangle - M29TX

Code	Length
112001	21 cm
112002	25 cm
112003	29 cm
112004	50 cm
112005	71 cm
112006	100 cm
112007	150 cm
112008	200 cm
112009	250 cm
112010	300 cm
112012	400 cm

Load table M29TX


Span m	CPL kg	Deflection mm	2 x load kg	Deflection mm	3 x load kg	Deflection mm	4 x load kg	Deflection mm	UDL kg/m	Deflection mm
2.0	813.0	3	557.0	4	449.0	4	349.7	4	847.0	4
4.0	444.8	12	317.5	16	234.6	15	188.6	16	248.1	16
6.0	302.2	28	219.5	36	156.6	33	127.5	36	108.4	35
8.0	225.4	50	165.6	64	115.7	59	94.9	64	59.5	62
10.0	176.6	78	130.9	99	90.1	92	74.3	99	36.8	97
12.0	142.3	112	106.4	143	72.3	133	59.9	143	24.5	140
14.0	116.5	152	87.9	194	59.1	181	49.1	194	17.1	190
16.0	96.2	199	73.3	254	48.6	236	40.6	254	12.3	248
20.0	65.4	311	49.8	397	32.9	369	27.7	397	6.6	388

Cantilever load

Span m	1 x Load kg	Deflection mm	UDL kg/m	Deflection mm
0.5	708.0	0	1697.3	0
1.0	406.0	1	706.1	2
1.5	287.6	5	338.2	4
2.0	221.8	11	201.0	8
2.5	179.8	22	132.7	12
3.0	150.5	39	93.7	18
3.5	128.8	62	69.4	25
4.0	112.0	92	53.2	34

Multiple supported span

Span m	CPL kg	Deflection mm	2 x load kg	Deflection mm	UDL kg/m	Deflection mm
2.0	953.3	1	530.5	1	676.9	1
4.0	545.4	6	301.6	5	191.9	5
6.0	379.6	14	210.9	13	90.7	12
8.0	286.5	25	159.6	23	51.9	21
10.0	226.1	39	126.2	36	33.0	33
12.0	183.0	55	102.3	50	22.3	47
14.0	150.3	71	84.1	65	15.8	61
16.0	124.3	88	69.6	80	11.5	75
20.0	84.7	117	47.4	107	6.3	117

 Find complete loading tables on SIXTY82.nl

All loading data is based on calculations per EN-1999-1-1 and the following assumptions:

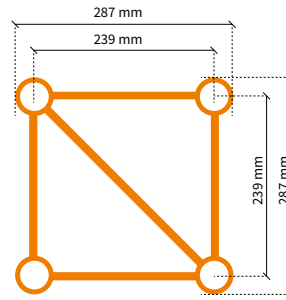
- Static loads only.
- Spans supported or suspended at both ends.
- Triangle trusses solely used apex-up, apex-down.
- 2 chords truss to be placed upright, supported from top chord and loaded from bottom chord.
- Truss spans can be constructed of elements of different length.

- Interaction between bending moment and shear force considered.
- Self-weight of truss is already considered.
- Assembled truss systems need an individual structural calculation. Please contact SIXTY82 or a structural engineer.
- Read the manual before use.
- Higher loading can be allowed depending on the truss configuration.



48.3 x 3 mm

Length Square

M29S

6.3 kg/m

 ((RFID)
READY

M

P.124

ALU/BLACK

Square - M29S

Code	Length
128001	21 cm
128002	25 cm
128003	29 cm
128004	50 cm
128005	71 cm
128015	75 cm
128006	100 cm
128007	150 cm
128008	200 cm
128009	250 cm
128010	300 cm
128012	400 cm

Load table M29S

Span	CPL	Deflection	2 x load	Deflection	3 x load	Deflection	4 x load	Deflection	UDL	Deflection
m	kg	mm	kg	mm	kg	mm	kg	mm	kg/m	mm
2.0	1952.5	4	976.3	5	650.8	4	488.1	5	976.3	5
4.0	1308.4	15	941.5	19	647.1	17	485.3	19	485.3	18
6.0	921.5	33	649.9	42	492.3	39	392.3	42	321.6	41
8.0	705.9	58	505.5	74	371.2	69	299.1	74	195.7	73
10.0	567.4	91	410.7	116	295.3	108	239.7	116	123.2	114
12.0	470.1	131	343.2	167	243.0	155	198.3	167	83.8	164
14.0	397.3	178	292.3	228	204.3	211	167.5	228	60.1	223
16.0	340.4	233	252.2	297	174.3	276	143.4	297	44.7	291
20.0	256.0	364	192.3	464	130.3	431	107.9	464	26.5	454

Cantilever load

Span	1 x Load	Deflection	UDL	Deflection
m	kg	mm	kg/m	mm
0.5	980.5	0	1958.2	0
1.0	979.1	1	976.3	1
1.5	839.6	5	649.0	3
2.0	652.5	12	485.3	7
2.5	539.5	24	387.1	13
3.0	458.8	43	276.5	19
3.5	398.2	69	204.9	27
4.0	351.0	103	159.9	36

Multiple supported span

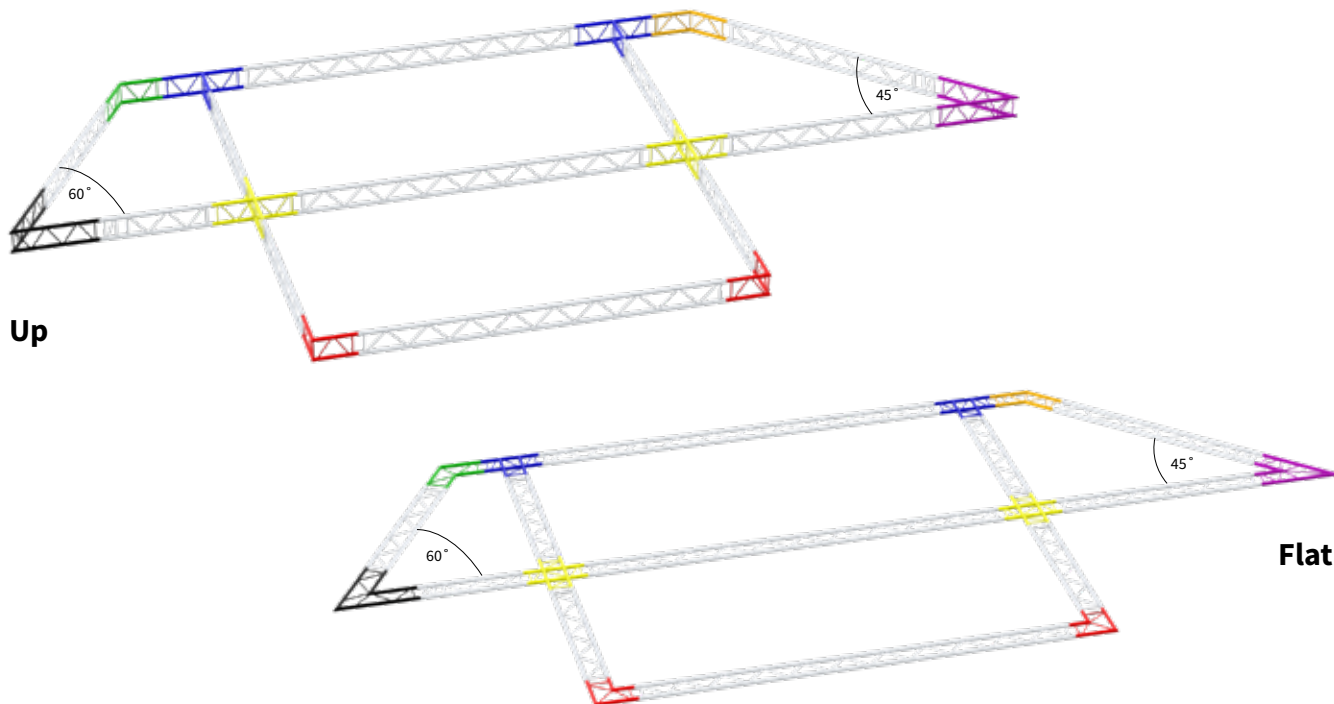
Span	CPL	Deflection	2 x Load	Deflection	UDL	Deflection
m	kg	mm	kg	mm	kg/m	mm
2.0	1418.0	1	726.0	1	779.9	0
4.0	1407.7	6	715.4	5	387.1	4
6.0	1109.9	15	625.5	14	256.2	12
8.0	866.3	28	479.4	25	153.7	23
10.0	705.5	45	391.5	40	100.7	37
12.0	589.6	64	327.8	58	70.6	54
14.0	501.4	87	279.2	79	51.8	73
16.0	431.5	112	240.6	101	39.2	94
20.0	326.3	165	182.2	150	23.9	158

Find complete loading tables on SIXTY82.nl

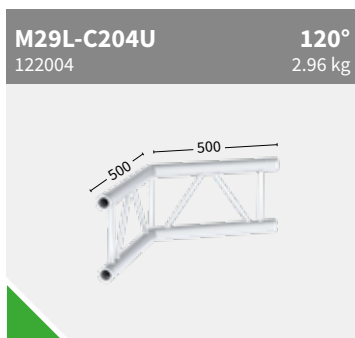
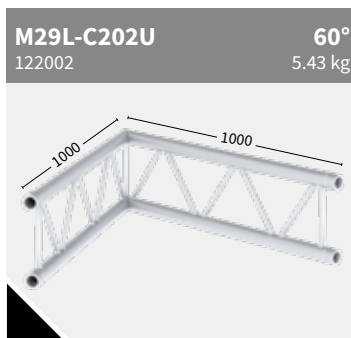
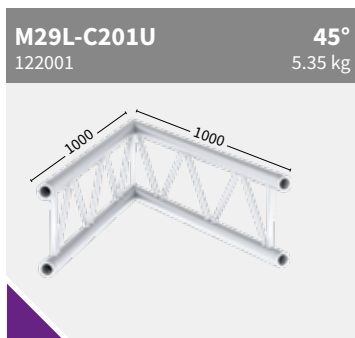
All loading data is based on calculations per EN-1999-1-1 and the following assumptions:

- Static loads only.
- Spans supported or suspended at both ends.
- Triangle trusses solely used apex-up, apex-down.
- 2 chords truss to be placed upright, supported from top chord and loaded from bottom chord.
- Truss spans can be constructed of elements of different length.

- Interaction between bending moment and shear force considered.
- Self-weight of truss is already considered.
- Assembled truss systems need an individual structural calculation. Please contact SIXTY82 or a structural engineer.
- Read the manual before use.
- Higher loading can be allowed depending on the truss configuration.



2way
up



2way
flat

M29L-C201F 45°
123001 3.88 kg

M29L-C202F 60°
123002 4.28 kg

M29L-C203F 90°
123003 2.28 kg

M29L-C204F 120°
123004 2.56 kg

M29L-C205F 135°
123005 2.75 kg

3way

M29L-C317U T JOINT
122006 4.3 kg

M29L-C317F T JOINT
123006 3.51 kg

4way

M29L-C416U CROSS
122007 5.73 kg

M29L-C416F CROSS
123007 4.68 kg

Box

BOX CORNER M29L
199003 1.1 kg

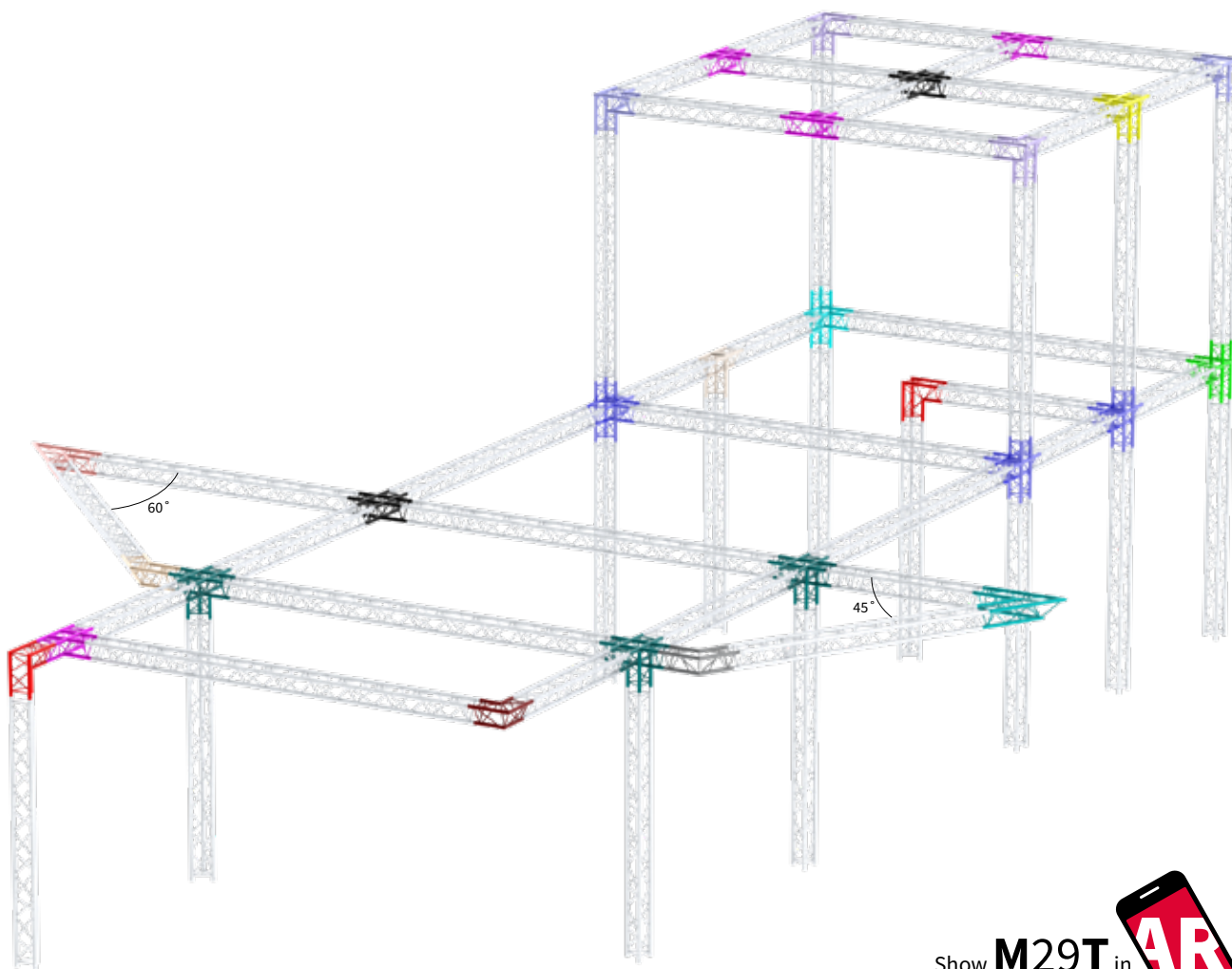
With locator pin

HALF CONNECTOR M52S
202008 0.14 kg

M12x25
(817008)

RECEIVER M51
202009 0.28 kg

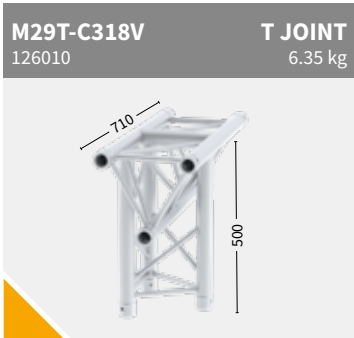
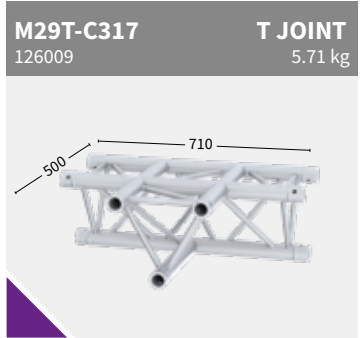
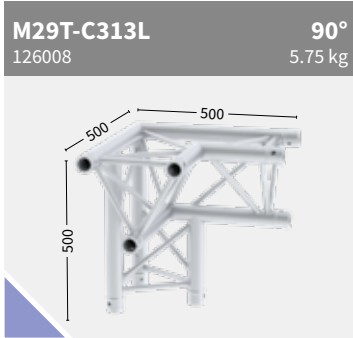
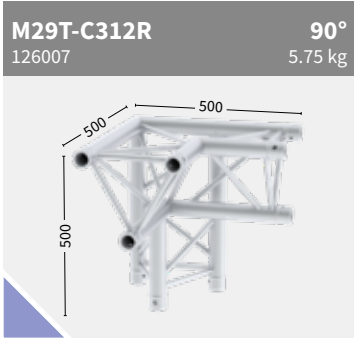
M12x35
(817006 + 817005)



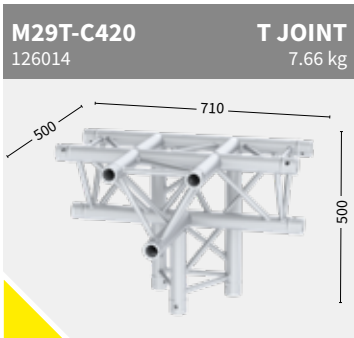
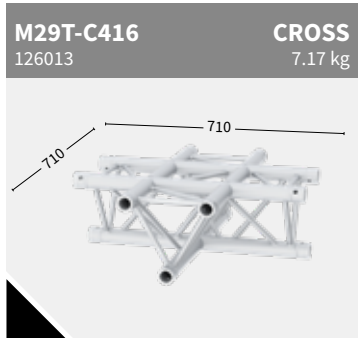
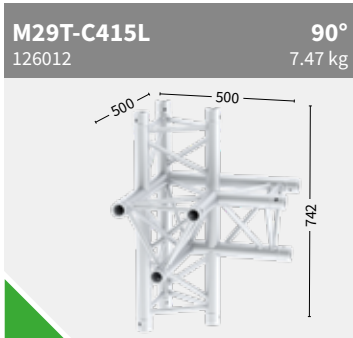
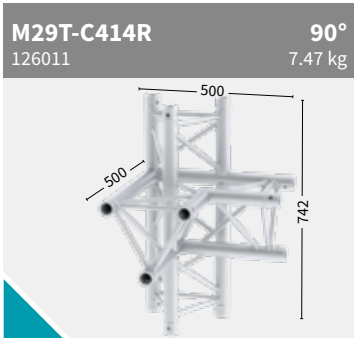
2way

<p>M29T-C201 126001</p> <p>45° 6.43 kg</p>	<p>M29T-C202 126002</p> <p>60° 7.11 kg</p>	<p>M29T-C203 126003</p> <p>90° 3.79 kg</p>
<p>M29T-C204 126004</p> <p>120° 4.32 kg</p>	<p>M29T-C205 126005</p> <p>135° 4.63 kg</p>	<p>M29T-C207V 126006</p> <p>90° 4.23 kg</p>

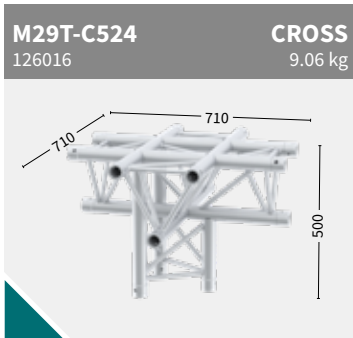
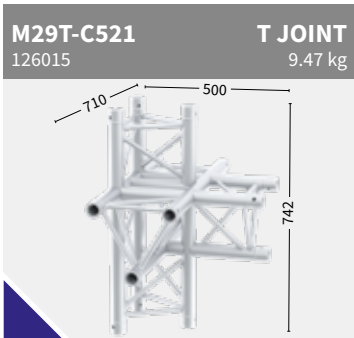
3way

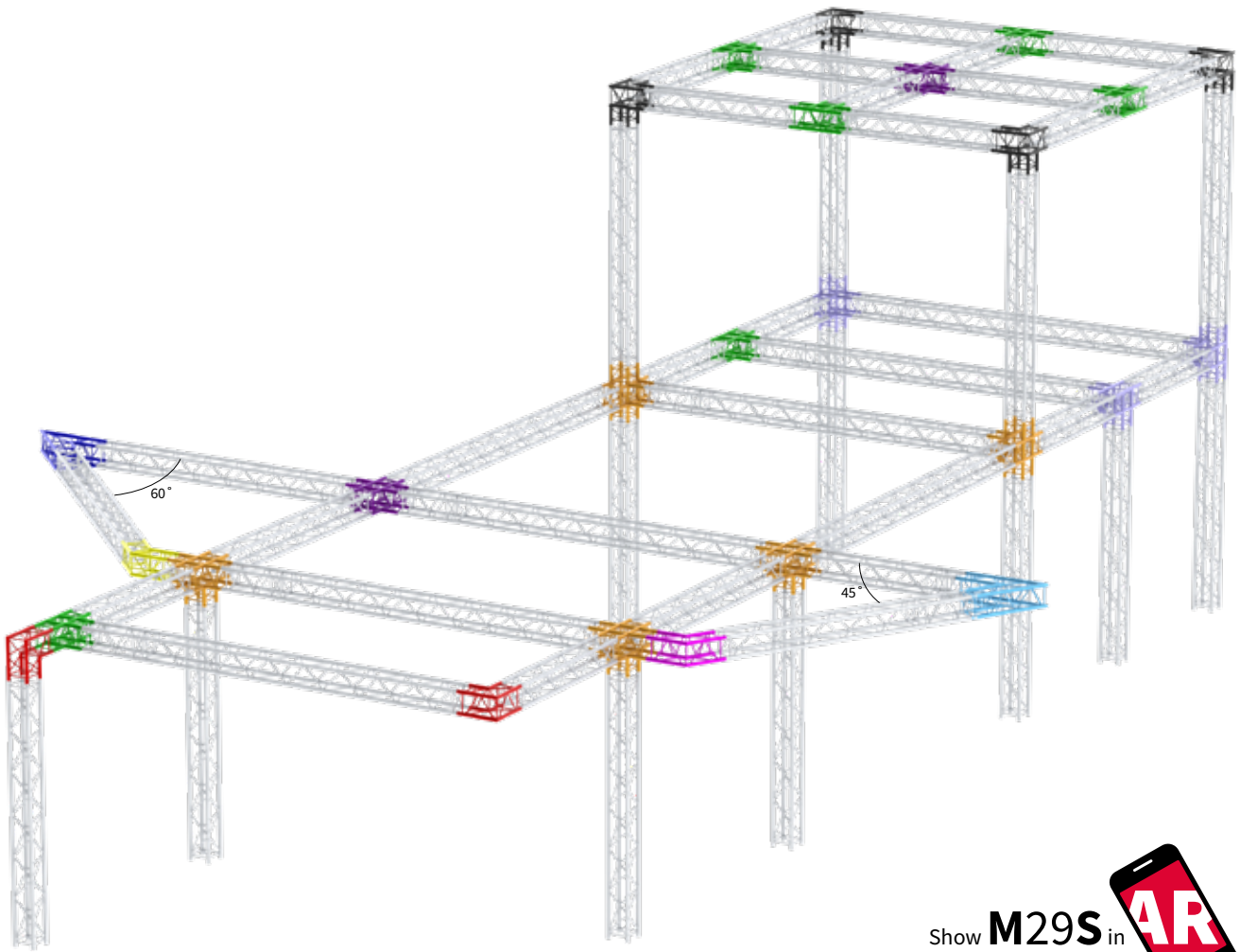


4way



5way

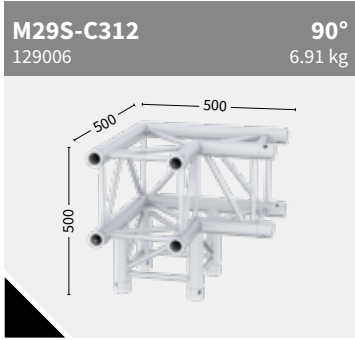




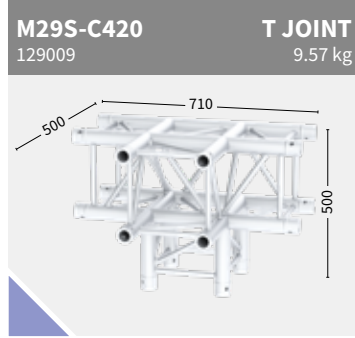
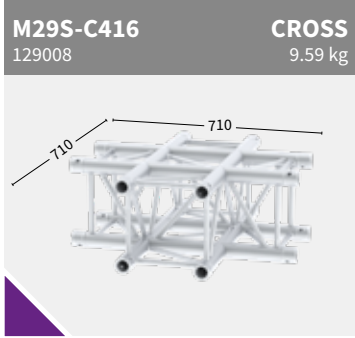
2way

<p>M29S-C201 129001</p> <p>45° 8.72 kg</p> 	<p>M29S-C202 129002</p> <p>60° 9.61 kg</p> 	<p>M29S-C203 129003</p> <p>90° 5.13 kg</p> 
<p>M29S-C204 129004</p> <p>120° 5.83 kg</p> 	<p>M29S-C205 129005</p> <p>135° 6.21 kg</p> 	

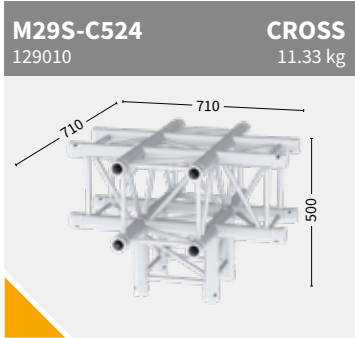
3way



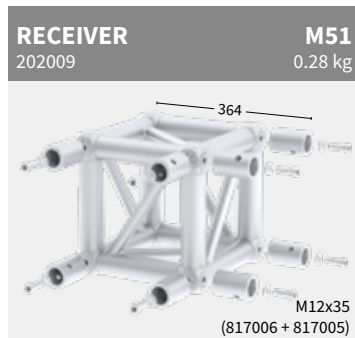
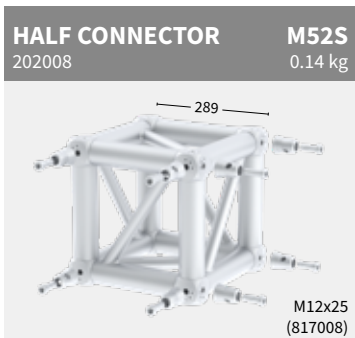
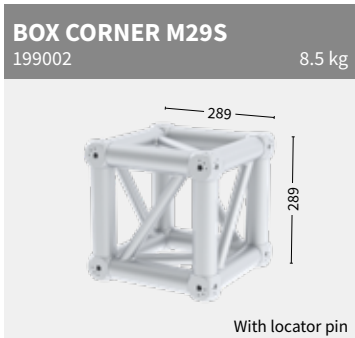
4way

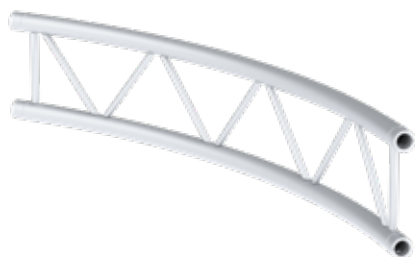


5way



BOX





3 kg/m

M

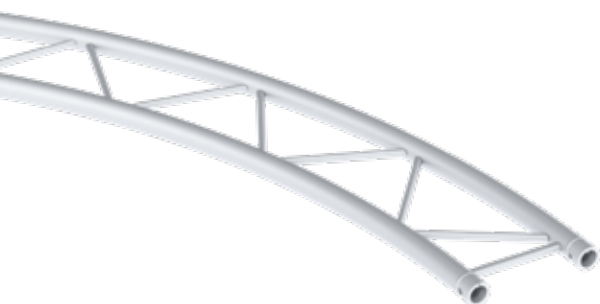
ALU/BLACK

((RFID))
READY

P.124

M29L Circle part - up

Code	∅ Diameter	Angle	Parts/Circle
124001	2 m	90	4
124002	3 m	90	4
124003	4 m	90	4
124004	5 m	90	4



3 kg/m

M

ALU/BLACK

((RFID))
READY

P.124

M29L Circle part - flat

Code	∅ Diameter	Angle	Parts/Circle
124005	2 m	90	4
124006	3 m	90	4
124007	4 m	90	4
124008	5 m	90	4



5 kg/m

M

ALU/BLACK

((RFID))
READY

P.124

M29T Circle part

Code	∅ Diameter	Angle	Parts/Circle
127001	2 m	90	4
127002	3 m	90	4
127003	4 m	90	4
127004	5 m	90	4
127005	6 m	45	8
127006	8 m	45	8
127007	10 m	30	12
127008	10 m	45	8



6.3 kg/m

M

ALU/BLACK

((RFID))
READY

P.124

M29S Circle part

Code	∅ Diameter	Angle	Parts/Circle
130001	2 m	90	4
130002	3 m	90	4
130003	4 m	90	4
130004	5 m	90	4
130005	6 m	45	8
130006	8 m	45	8
130007	10 m	30	12
130008	10 m	45	8

• Subject to tolerance, because product is 100% handmade.

Accessories

M29

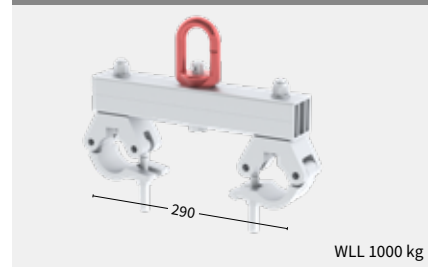
BASE PLATE M29T
211003 1.01 kg



BASE PLATE M29S
211004 1.65 kg



LIFTING BRACKET M29S
212001 2.55 kg



HANG-ON82 M29 TO M29S-T
251003 10.2 kg



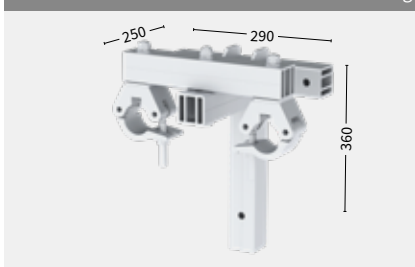
HANG-ON82 M29 TO M29L
251004 7.06 kg



BOOK CORNER M29S-T
198001 11.3 kg



WALL ADAPTER M29S-T
212006 4.35 kg



BOOK-FIX
198004 4.43 kg



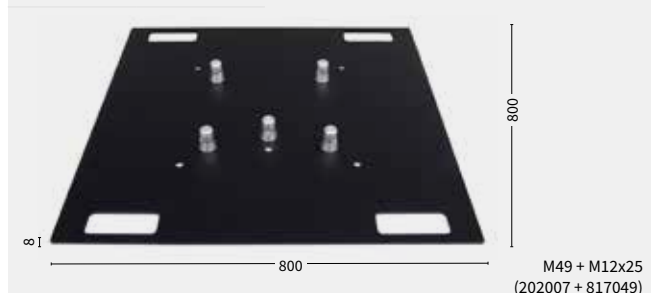
BASE PLATE STEEL M29/39S-T
Code Finish 35 kg

211009	Black
211010	Zinc



BASE PLATE STEEL M29/M39S-T
Code Finish 41 kg

211011	Black
211012	Zinc





STEEL BASE M29S
211019



LIFTINGPLATE U50-120 M29S/M39S
212012

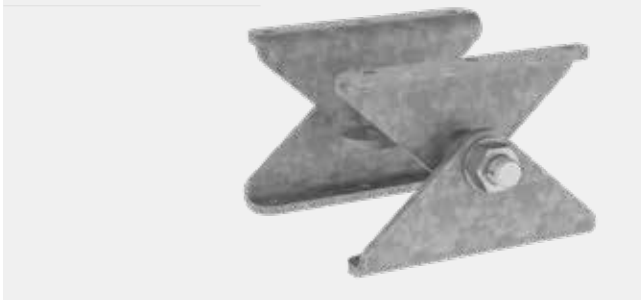


EXTENSION BRACKET
212018



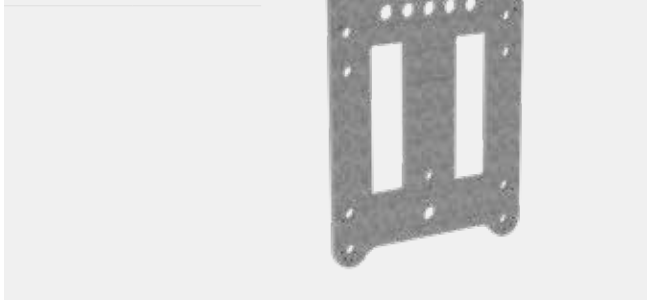
BASE PLATE STEEL M29/M39S-T

Code	Finish
211020	Black
211021	Zinc



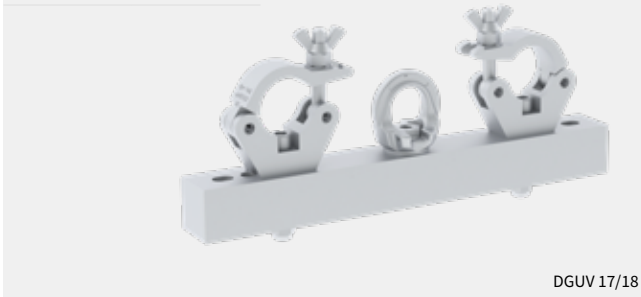
LIFTINGPLATE M29S-T/M39R

Code	Finish
212010	Black
212011	Zinc



LIFTING BRACKET M29S/M39S/L35S

Code	Finish
212014	Black
212013	Zinc



DGUV 17/18

BOX BRACKET M29L-S

Code	Finish
212017	Black
212016	Zinc



Service



The request:
you need truss or staging,
and you need it now!



Super quick:
we will get back to you within
24 hours.



Simplicity:
innovative and straightforward
solutions that facilitate, not distract.



High quality:
produced and checked
by a highly skilled team.

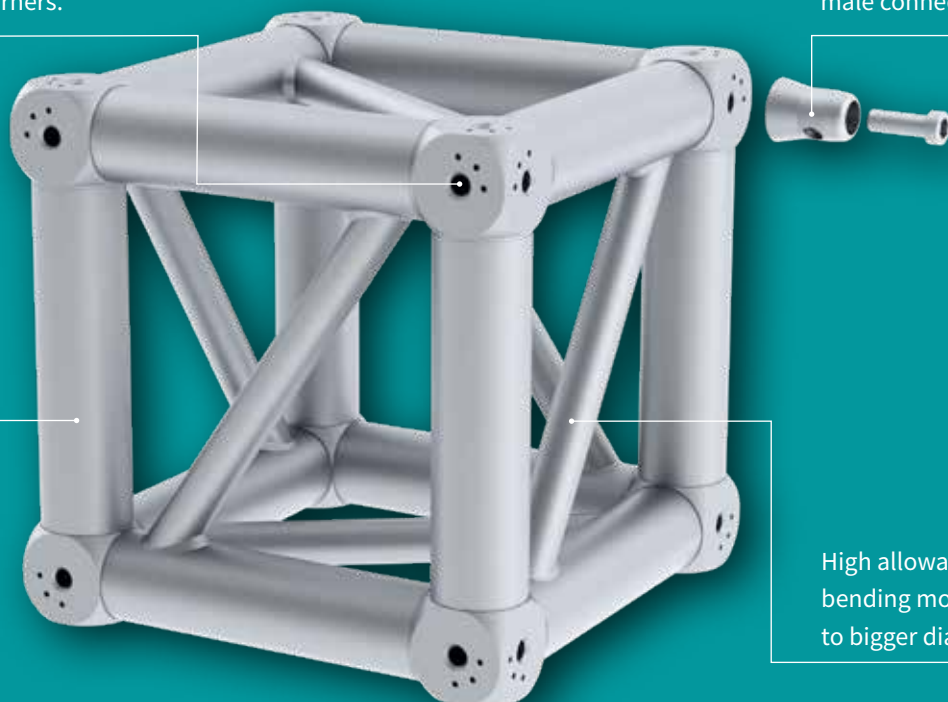


Great support:
we help you every step of the way.

BOX corner **invention evolved**

Locator pin design and
special male connector
will allow much easier user
configuration of box corners.

Higher shear force
capacity due to lower
eccentricity when using
male connectors.



Less components
giving increased
user simplicity
and better value.

High allowable
bending moment due
to bigger diagonal.








48.3 x 3 mm

M39

Length

 Triangle	26
 Square	27
 Rectangle	28

Corners

 Triangle	30
 Square	32

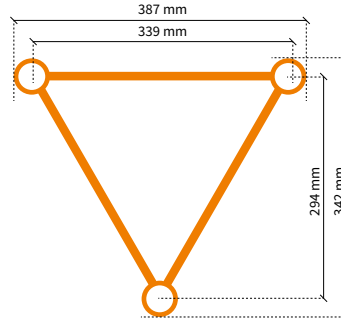
Circle

 Triangle	36
 Square	36

Middle beam 36






Accessories 37

M L XL



Triangle - M39T

Code	Length
135002	25 cm
135004	50 cm
135005	81 cm
135006	100 cm
135008	200 cm
135010	300 cm
135012	400 cm

-  5.5 kg/m
-  (RFID) READY
-  M
-  P.124
-  ALU/BLACK

Load table M39T


Span m	CPL kg	Deflection mm	2 x load kg	Deflection mm	3 x load kg	Deflection mm	4 x load kg	Deflection mm	UDL kg/m	Deflection mm
2.0	1446.7	2	1013.7	3	725.9	3	544.4	3	1088.8	3
4.0	830.6	9	578.5	11	449.9	11	355.1	11	490.9	11
6.0	577.7	20	411.7	26	305.2	24	245.1	26	215.7	25
8.0	438.6	36	316.9	46	228.6	42	185.3	46	119.3	45
10.0	349.6	56	255.2	71	180.6	66	147.4	71	74.8	70
12.0	287.1	80	211.4	102	147.5	95	121.0	102	50.5	100
14.0	240.4	109	178.4	139	122.9	129	101.2	139	35.9	136
16.0	203.7	143	152.3	182	103.8	169	85.8	182	26.5	178
20.0	148.9	223	113.1	284	75.5	264	62.9	284	15.3	278

Cantilever load

Span m	1 x Load kg	Deflection mm	UDL kg/m	Deflection mm
0.5	1092.2	0	2182.2	0
1.0	722.5	1	1088.8	1
1.5	527.3	3	610.0	3
2.0	414.1	8	359.0	5
2.5	340.0	15	241.5	8
3.0	287.6	27	173.2	12
3.5	248.4	43	130.0	17
4.0	217.9	64	100.8	23

Multiple supported span

Span m	CPL kg	Deflection mm	2 x Load kg	Deflection mm	UDL kg/m	Deflection mm
2.0	1582.1	1	811.8	1	870.2	1
4.0	980.4	4	538.5	4	344.6	3
6.0	705.1	10	389.7	9	165.1	8
8.0	545.0	18	302.3	16	97.1	15
10.0	439.2	28	244.2	25	63.2	23
12.0	363.3	39	202.4	36	43.8	33
14.0	305.7	53	170.5	48	31.8	45
16.0	259.9	67	145.1	61	23.7	57
20.0	190.8	96	106.7	88	14.0	93

 Find complete loading tables on SIXTY82.nl

All loading data is based on calculations per EN-1999-1-1 and the following assumptions:

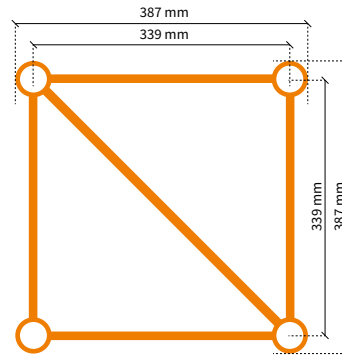
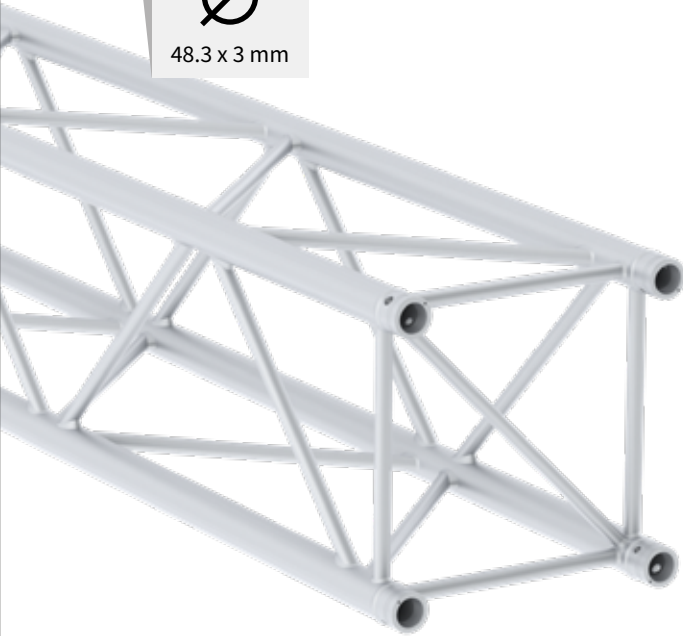
- Static loads only.
- Spans supported or suspended at both ends.
- Triangle trusses solely used apex-up, apex-down.
- 2 chords truss to be placed upright, supported from top chord and loaded from bottom chord.
- Truss spans can be constructed of elements of different length.

- Interaction between bending moment and shear force considered.
- Self-weight of truss is already considered.
- Assembled truss systems need an individual structural calculation. Please contact SIXTY82 or a structural engineer.
- Read the manual before use.
- Higher loading can be allowed depending on the truss configuration.



48.3 x 3 mm

Length Square

M39S

Square - M39S

Code	Length
138001	21 cm
138002	25 cm
138004	50 cm
138005	81 cm
138006	100 cm
138008	200 cm
138010	300 cm
138012	400 cm

6.9 kg/m

 ((RFID))
READY

M

P.124

ALU/BLACK

Load table M39S

Span	CPL	Deflection	2 x load	Deflection	3 x load	Deflection	4 x load	Deflection	UDL	Deflection
m	kg	mm	kg	mm	kg	mm	kg	mm	kg/m	mm
2.0	2512.6	3	1256.3	3	837.5	3	628.1	3	1256.3	3
4.0	1726.7	10	1227.7	13	833.4	12	625.0	13	625.0	13
6.0	1244.2	23	858.9	30	681.0	28	534.7	30	414.6	29
8.0	967.3	41	680.2	53	518.5	49	412.2	53	279.4	52
10.0	786.3	65	560.1	83	415.9	77	333.7	83	176.6	81
12.0	658.1	93	473.4	119	344.8	110	278.6	119	120.7	116
14.0	561.7	127	407.5	162	292.3	150	237.4	162	87.0	158
16.0	486.3	166	355.3	211	251.6	196	205.3	211	65.2	207
20.0	374.3	259	277.2	330	192.2	307	157.9	330	39.5	323

Cantilever load

Span	1 x Load	Deflection	UDL	Deflection
m	kg	mm	kg/m	mm
0.5	1260.9	0	2518.8	0
1.0	1259.4	1	1256.3	1
1.5	1107.4	3	835.4	2
2.0	861.1	8	625.0	4
2.5	721.3	16	498.8	8
3.0	619.5	29	365.4	13
3.5	541.9	47	270.9	18
4.0	480.8	71	212.0	24

Multiple supported span

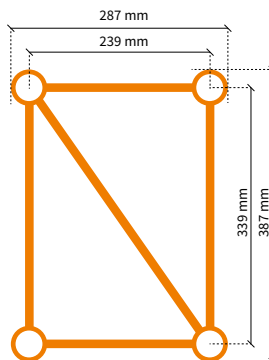
Span	CPL	Deflection	2 x Load	Deflection	UDL	Deflection
m	kg	mm	kg	mm	kg/m	mm
2.0	1825.1	0	935.5	0	1003.8	0
4.0	1813.8	4	923.8	3	498.8	2
6.0	1477.6	10	825.5	9	330.5	8
8.0	1154.3	19	635.7	17	204.7	15
10.0	954.6	30	527.5	27	134.0	25
12.0	808.2	44	447.7	40	95.5	36
14.0	695.7	60	386.1	55	70.9	50
16.0	606.0	79	336.8	71	54.4	66
20.0	470.3	119	262.0	108	34.1	112

Find complete loading tables on SIXTY82.nl

All loading data is based on calculations per EN-1999-1-1 and the following assumptions:


- Static loads only.
- Spans supported or suspended at both ends.
- Triangle trusses solely used apex-up, apex-down.
- 2 chords truss to be placed upright, supported from top chord and loaded from bottom chord.
- Truss spans can be constructed of elements of different length.

- Interaction between bending moment and shear force considered.
- Self-weight of truss is already considered.
- Assembled truss systems need an individual structural calculation. Please contact SIXTY82 or a structural engineer.
- Read the manual before use.
- Higher loading can be allowed depending on the truss configuration.



Rectangle - M39R


Code	Length
141001	21 cm
141002	25 cm
141004	50 cm
141005	71 cm
141006	100 cm
141008	200 cm
141010	300 cm
141012	400 cm

 6.9 kg/m

 (RFID) READY

 M

 P.124

 ALU/BLACK

Load table M39R


Span m	CPL kg	Deflection mm	2 x load kg	Deflection mm	3 x load kg	Deflection mm	4 x load kg	Deflection mm	UDL kg/m	Deflection mm
2.0	2512.6	3	1256.3	3	837.5	3	628.1	3	1256.3	3
4.0	1726.7	10	1227.7	13	833.4	12	625.0	13	625.0	13
6.0	1244.2	23	858.9	30	681.0	28	534.7	30	414.6	29
8.0	967.3	41	680.2	53	518.5	49	412.2	53	279.4	52
10.0	786.3	65	560.1	83	415.9	77	333.7	83	176.6	81
12.0	658.1	93	473.4	119	344.8	110	278.6	119	120.7	116
14.0	561.7	127	407.5	162	292.3	150	237.4	162	87.0	158
16.0	486.3	166	355.3	211	251.6	196	205.3	211	65.2	207
20.0	374.3	259	277.2	330	192.2	307	157.9	330	39.5	323

Cantilever load

Span m	1 x Load kg	Deflection mm	UDL kg/m	Deflection mm
0.5	1260.9	0	2518.8	0
1.0	1259.4	1	1256.3	1
1.5	1107.4	3	835.4	2
2.0	861.1	8	625.0	4
2.5	721.3	16	498.8	8
3.0	619.5	29	365.4	13
3.5	541.9	47	270.9	18
4.0	480.8	71	212.0	24

Multiple supported span

Span m	CPL kg	Deflection mm	2 x Load kg	Deflection mm	UDL kg/m	Deflection mm
2.0	1825.1	0	935.5	0	1003.8	0
4.0	1813.8	4	923.8	3	498.8	2
6.0	1477.6	10	825.5	9	330.5	8
8.0	1154.3	19	635.7	17	204.7	15
10.0	954.6	30	527.5	27	134.0	25
12.0	808.2	44	447.7	40	95.5	36
14.0	695.7	60	386.1	55	70.9	50
16.0	606.0	79	336.8	71	54.4	66
20.0	470.3	119	262.0	108	34.1	112

 Find complete loading tables on SIXTY82.nl

All loading data is based on calculations per EN-1999-1-1 and the following assumptions:

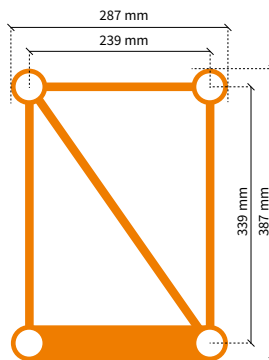
- Static loads only.
- Spans supported or suspended at both ends.
- Triangle trusses solely used apex-up, apex-down.
- 2 chords truss to be placed upright, supported from top chord and loaded from bottom chord.
- Truss spans can be constructed of elements of different length.

- Interaction between bending moment and shear force considered.
- Self-weight of truss is already considered.
- Assembled truss systems need an individual structural calculation. Please contact SIXTY82 or a structural engineer.
- Read the manual before use.
- Higher loading can be allowed depending on the truss configuration.



48.3 x 3 mm

Length Rectangle

M39RP

Rectangle - M39RP

Code	Length
144001	21 cm
144002	25 cm
144004	50 cm
144005	71 cm
144006	100 cm
144008	200 cm
144010	300 cm
144012	400 cm

6.9 kg/m

 (RFID)
READY

M

P.124

ALU/BLACK

Load table M39RP

Span	CPL	Deflection	2 x load	Deflection	3 x load	Deflection	4 x load	Deflection	UDL	Deflection
m	kg	mm	kg	mm	kg	mm	kg	mm	kg/m	mm
2.0	2512.6	3	1256.3	3	837.5	3	628.1	3	1256.3	3
4.0	1726.7	10	1227.7	13	833.4	12	625.0	13	625.0	13
6.0	1244.2	23	858.9	30	681.0	28	534.7	30	414.6	29
8.0	967.3	41	680.2	53	518.5	49	412.2	53	279.4	52
10.0	786.3	65	560.1	83	415.9	77	333.7	83	176.6	81
12.0	658.1	93	473.4	119	344.8	110	278.6	119	120.7	116
14.0	561.7	127	407.5	162	292.3	150	237.4	162	87.0	158
16.0	486.3	166	355.3	211	251.6	196	205.3	211	65.2	207
20.0	374.3	259	277.2	330	192.2	307	157.9	330	39.5	323

Cantilever load

Span	1 x Load	Deflection	UDL	Deflection
m	kg	mm	kg/m	mm
0.5	1260.9	0	2518.8	0
1.0	1259.4	1	1256.3	1
1.5	1107.4	3	835.4	2
2.0	861.1	8	625.0	4
2.5	721.3	16	498.8	8
3.0	619.5	29	365.4	13
3.5	541.9	47	270.9	18
4.0	480.8	71	212.0	24

Multiple supported span

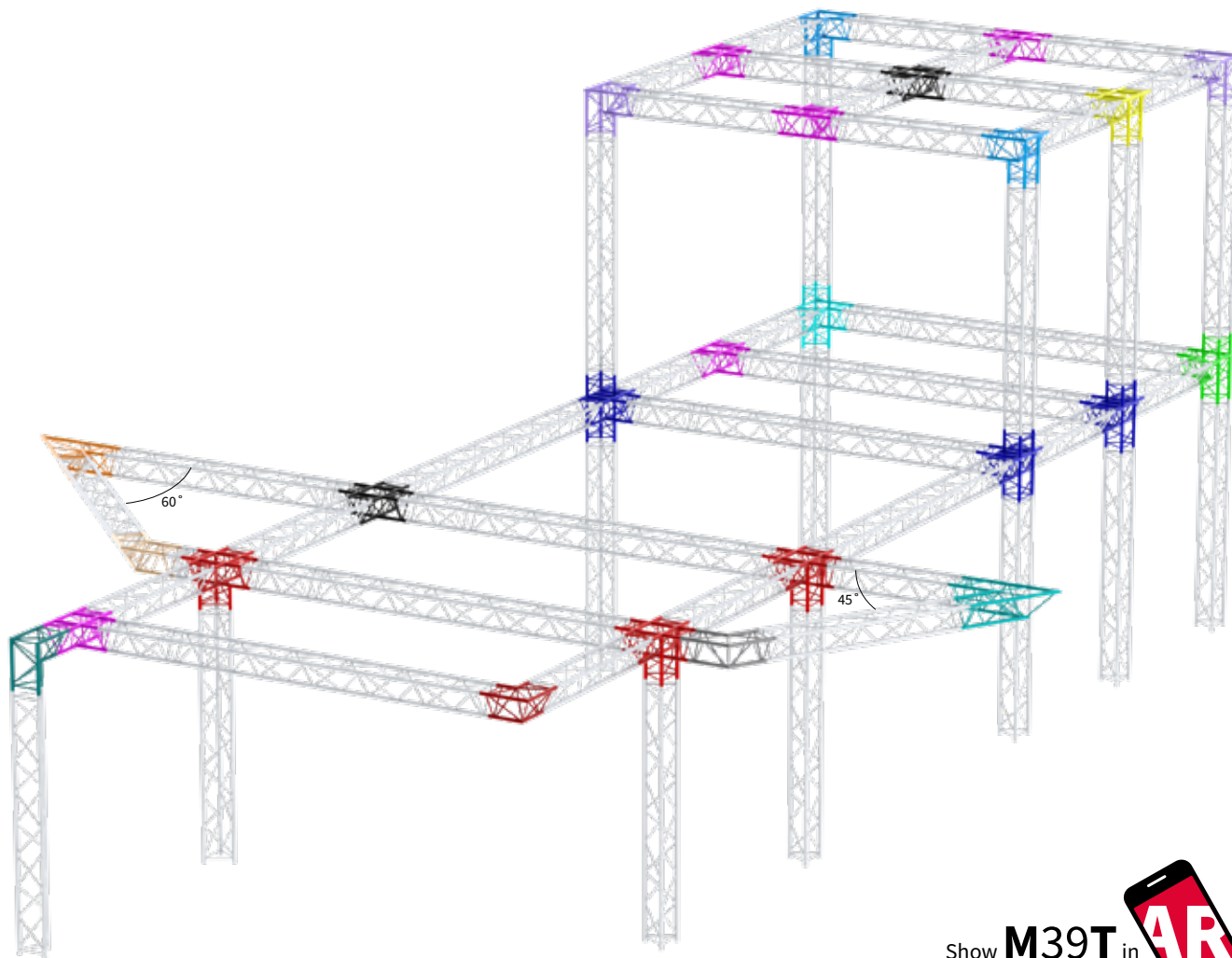
Span	CPL	Deflection	2 x Load	Deflection	UDL	Deflection
m	kg	mm	kg	mm	kg/m	mm
2.0	1825.1	0	935.5	0	1003.8	0
4.0	1813.8	4	923.8	3	498.8	2
6.0	1477.6	10	825.5	9	330.5	8
8.0	1154.3	19	635.7	17	204.7	15
10.0	954.6	30	527.5	27	134.0	25
12.0	808.2	44	447.7	40	95.5	36
14.0	695.7	60	386.1	55	70.9	50
16.0	606.0	79	336.8	71	54.4	66
20.0	470.3	119	262.0	108	34.1	112

Find complete loading tables on SIXTY82.nl

All loading data is based on calculations per EN-1999-1-1 and the following assumptions:

- Static loads only.
- Spans supported or suspended at both ends.
- Triangle trusses solely used apex-up, apex-down.
- 2 chords truss to be placed upright, supported from top chord and loaded from bottom chord.
- Truss spans can be constructed of elements of different length.

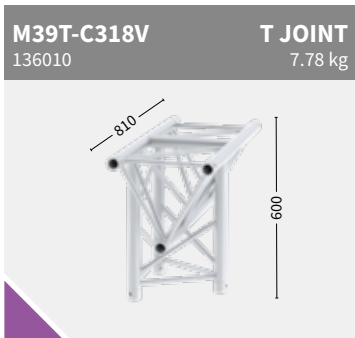
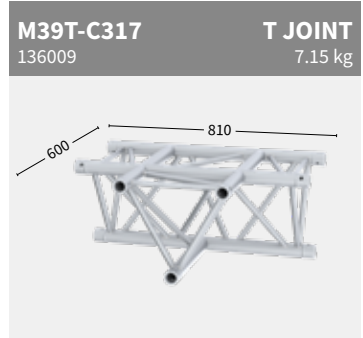
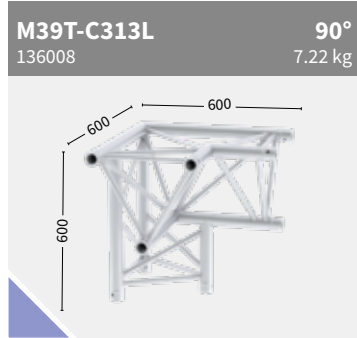
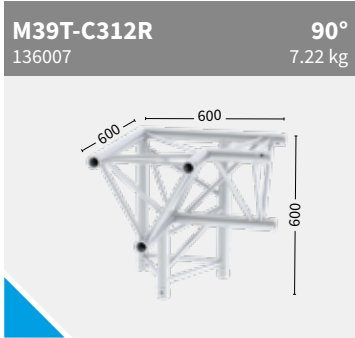
- Interaction between bending moment and shear force considered.
- Self-weight of truss is already considered.
- Assembled truss systems need an individual structural calculation. Please contact SIXTY82 or a structural engineer.
- Read the manual before use.
- Higher loading can be allowed depending on the truss configuration.



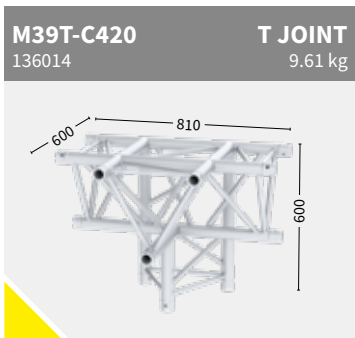
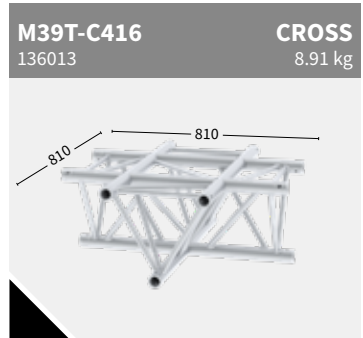
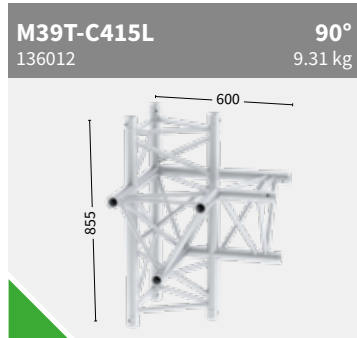
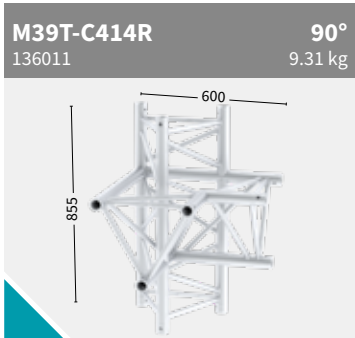
2way

<p>M39T-C201 136001</p> <p>45° 8.04 kg</p>	<p>M39T-C202 136002</p> <p>60° 8.92 kg</p>	<p>M39T-C203 136003</p> <p>90° 4.73 kg</p>
<p>M39T-C204 136004</p> <p>120° 5.53 kg</p>	<p>M39T-C205 136005</p> <p>135° 5.99 kg</p>	<p>M39T-C207V 136006</p> <p>90° 5.38 kg</p>

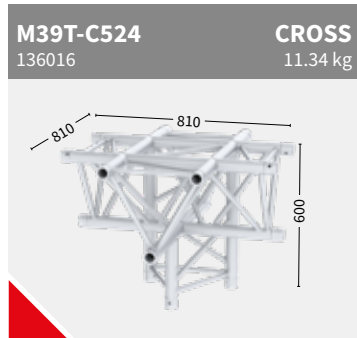
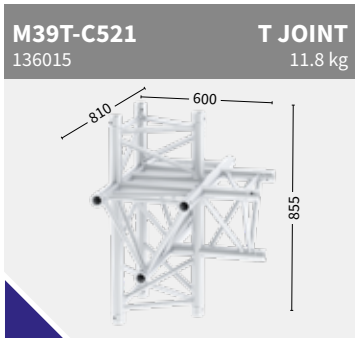
3way

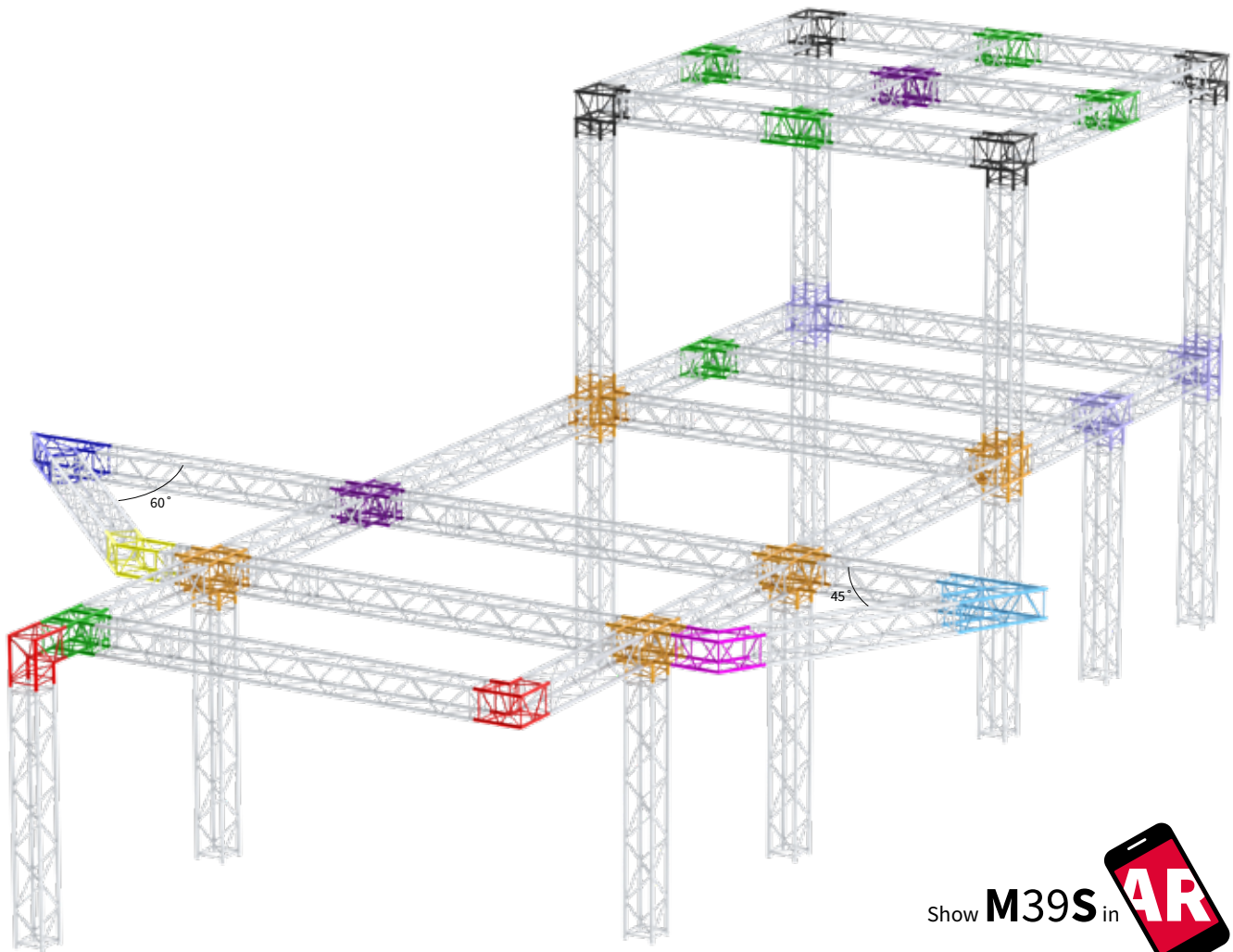


4way



5way

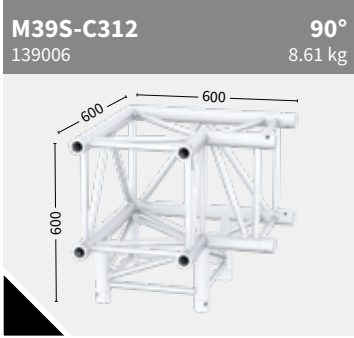




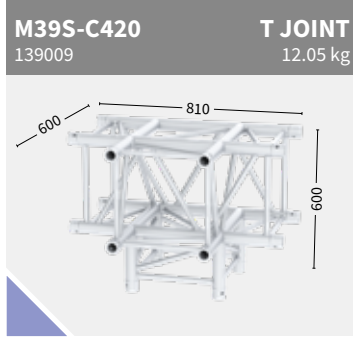
2way

<p>M39S-C201 139001</p>	<p>45° 10.23 kg</p>	<p>M39S-C202 139002</p>	<p>60° 12.02 kg</p>	<p>M39S-C203 139003</p>	<p>90° 6.51 kg</p>
					
<p>M39S-C204 139004</p>	<p>120° 7.16 kg</p>	<p>M39S-C205 139005</p>	<p>135° 7.5 kg</p>		
					

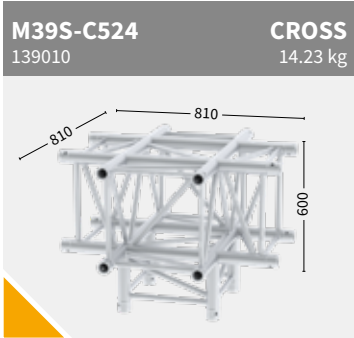
3way



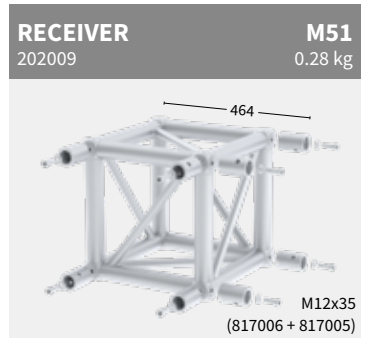
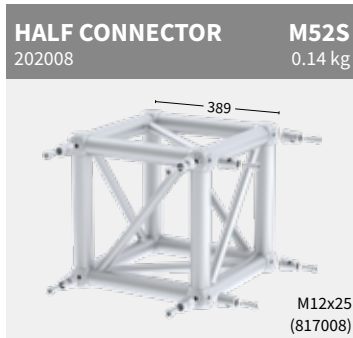
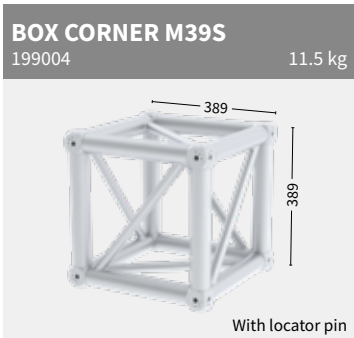
4way



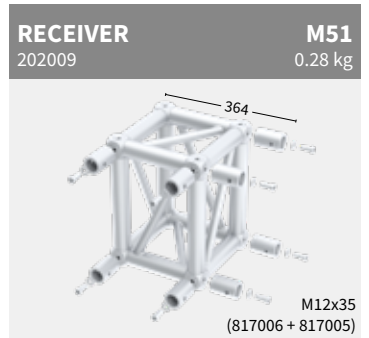
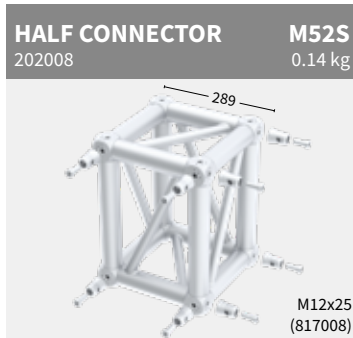
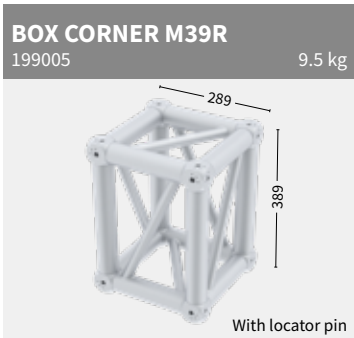
5way



Box



Box

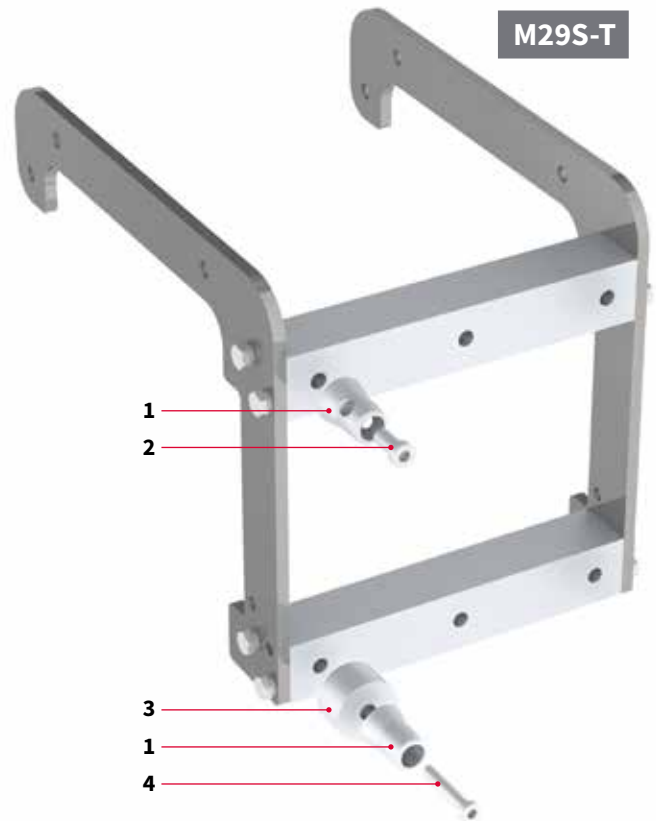


WHY HANG-ON82?

- Alternative for the T-joint
- Flexible in use: can be used on every point in the grid
- Easy to use and assemble
- Can be used in conjunction with box corners and weld corners (spacers or special truss length needed)
- Can be used for ladder, triangle and square truss
- Natural and black finish available
- Load capacity 900 KG

SPARE PARTS

1	202008	Half connector M52S	M series
2	817008	Bolt M12x25 Low head	M series
3	251008	Hang-on82 Spacer 30 mm	M series
4	817025	Bolt M12x60 Low head	M series



M29 to M29S-T

251003

10.2 kg



M29 to M29L

251004

7.06 kg



M39 to M29S-T

251005

11.72 kg



M39 to M39S-T

251006

13.1 kg



M39 to M39L

251007

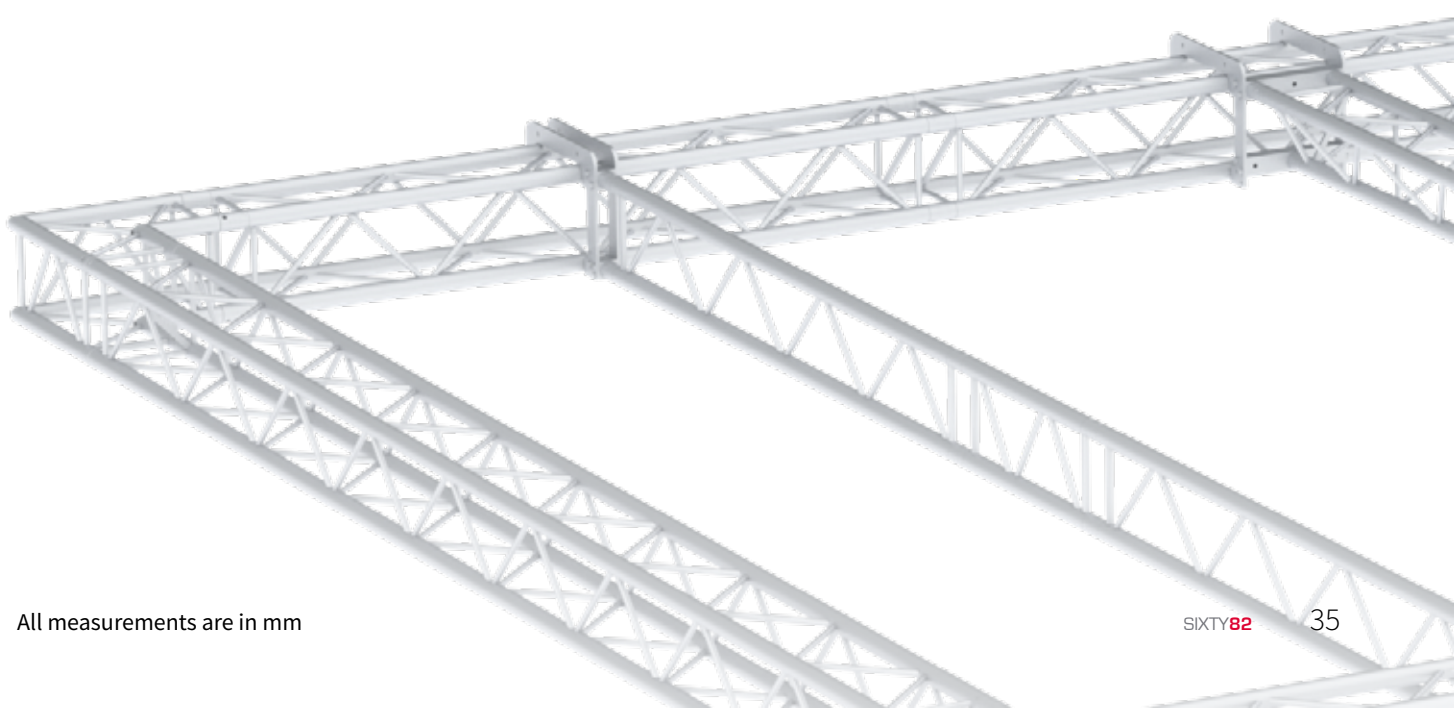
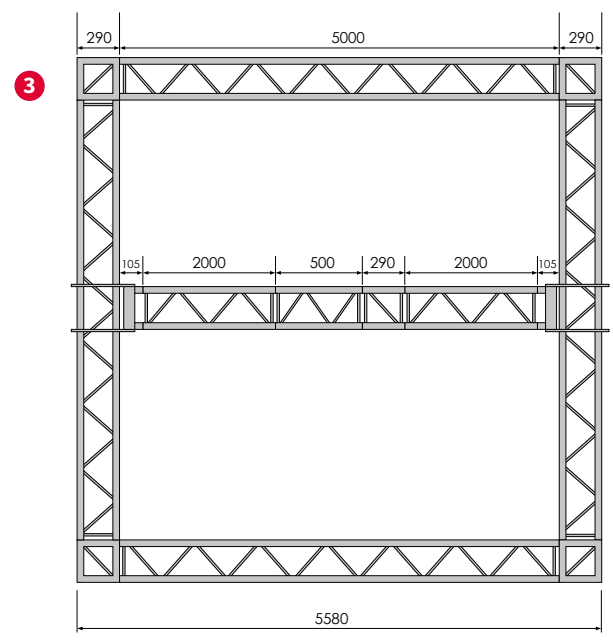
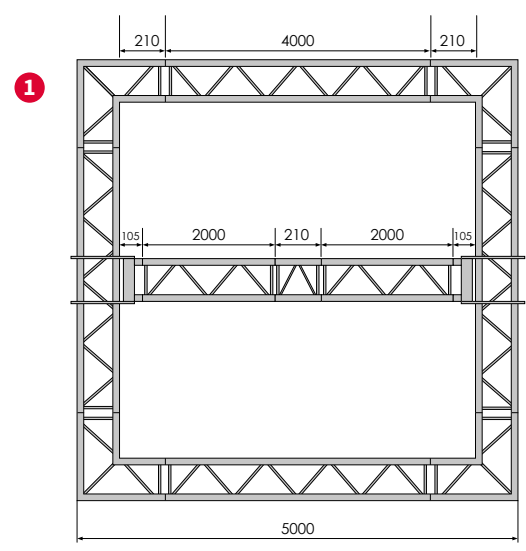
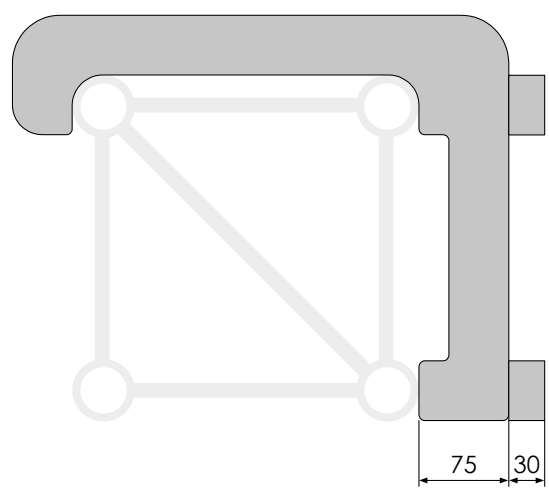
8.58 kg



The design of this product is intellectually protected.

HANG-ON82 IN USE

- 1 The grid is built with **weld corners**: the hang-on needs to be assembled with 30 mm spacers, and an extra piece of 210 mm (or 710 mm) truss needs to be used in the span (spare parts 1, 3 and 4).
- 2 The grid is built with **box corners with M51 receivers** (75 mm): the hang-on needs to be assembled with M52S connectors, and the same length of truss can be used for the span as is used in the grid (spare parts 1 and 2).
- 3 The grid is built with **box corners with M52S connectors**: the hang-on needs to be assembled with spacers, and an extra piece of 290 mm truss needs to be used in the span (spare parts 1, 3 and 4).






M39

Circles








48.3 x 3 mm



-  6.3 kg/m
-  M
-  ALU/BLACK
-  ((RFID))
READY
-  P.124

M39T Circle part

Code	∅ Diameter	Angle	Parts/Circle
137001	2 m	90	4
137002	3 m	90	4
137003	4 m	90	4
137004	5 m	90	4
137005	6 m	45	8
137006	8 m	45	8
137007	10 m	45	8
137008	10 m	30	12

-  6.3 kg/m
-  M
-  ALU/BLACK
-  ((RFID))
READY
-  P.124

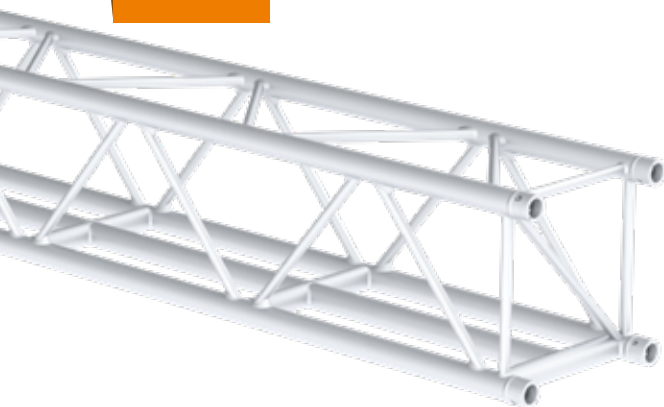
M39S Circle part






Code	∅ Diameter	Angle	Parts/Circle
140001	2 m	90	4
140002	3 m	90	4
140003	4 m	90	4
140004	5 m	90	4
140005	6 m	45	8
140006	8 m	45	8
140007	10 m	45	8
140008	10 m	30	12

• Subject to tolerance, because product is 100% handmade.

M39

Middle beam

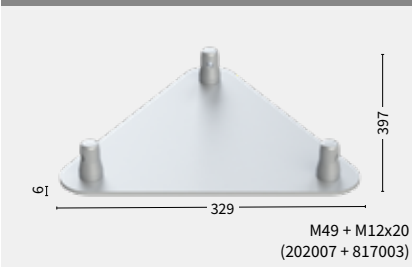


-  7.9 kg/m
-  M
-  ALU/BLACK
-  ((RFID))
READY
-  P.124

M39 Middle Beam

Code	Length
143002	100 cm
143004	200 cm
143006	300 cm

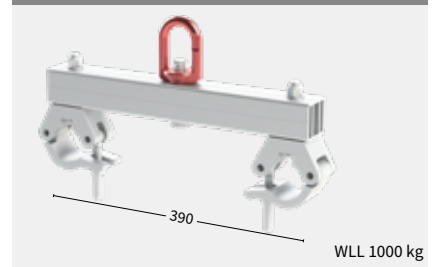
BASE PLATE M39T
211005 1.63 kg



BASE PLATE M39S
211006 2.92 kg



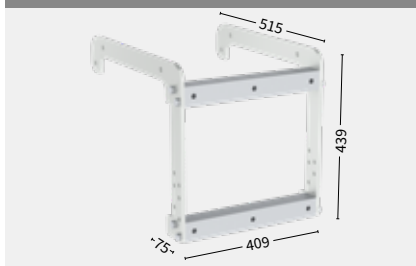
LIFTING BRACKET M39S
212002 2.6 kg



HANG-ON82 M39 TO M29S-T
251005 11.72 kg



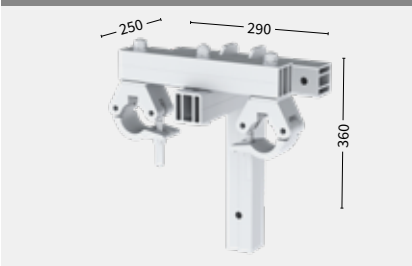
HANG-ON82 M39 TO M39S-T
251006 13.1 kg



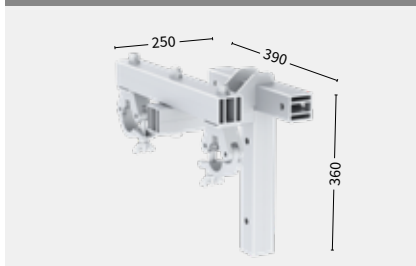
HANG-ON82 M39 TO M39L
251007 8.58 kg



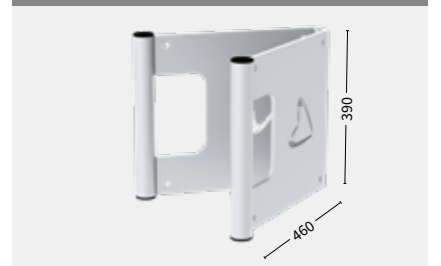
WALL ADAPTER M39R
212006 4.35 kg



WALL ADAPTER M39S-T
212009 4.65 kg



BOOK CORNER M39S-T
198005 24.5 kg



LIFTINGPLATE U50-120 M29/M39S
212012



BASE PLATE STEEL M29/39S-T

Code	Finish	35 kg
------	--------	-------

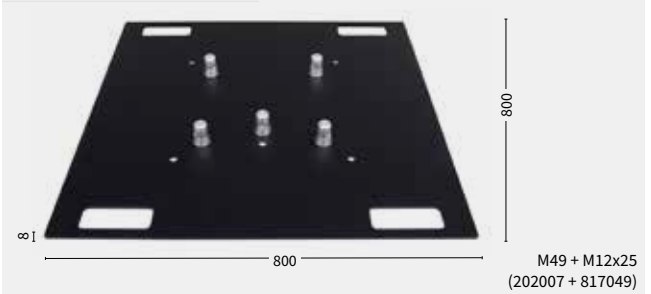
211009	Black
211010	Zinc



BASE PLATE STEEL M29/M39S-T

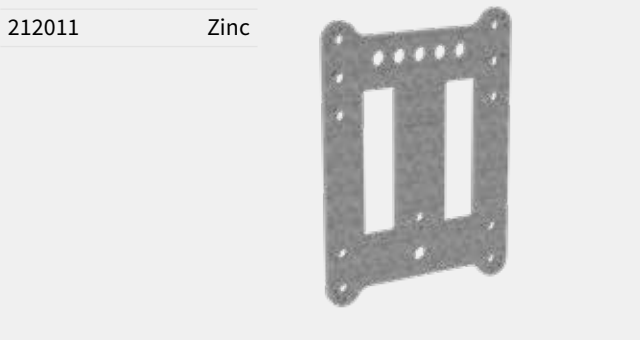
Code	Finish	41 kg
------	--------	-------

211011	Black
211012	Zinc



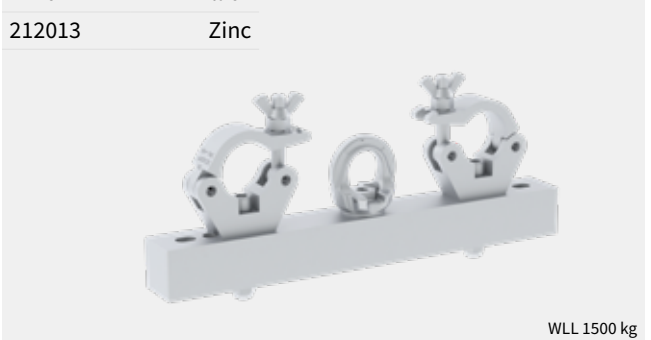
LIFTINGPLATE M29S-T/M39R

Code	Finish
212010	Black
212011	Zinc



LIFTING BRACKET M29S/M39S/L35S

Code	Finish
212014	Black
212013	Zinc

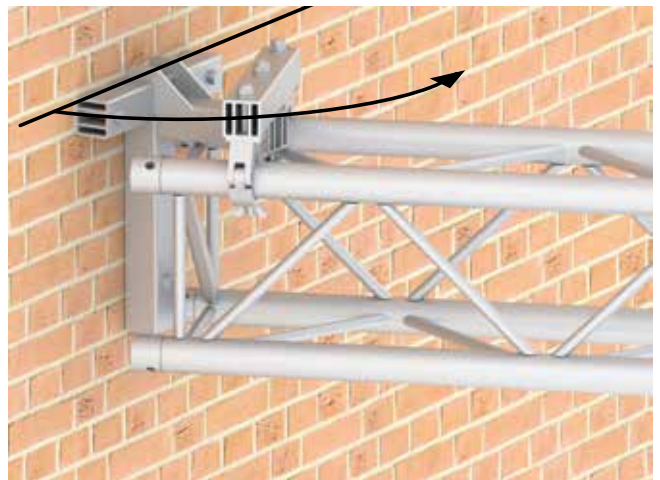


WALL ADAPTER82



WHY WALL ADAPTER82?

- Unique design
- The width is the same as the truss
- Adjustable position of clamps
- Can be used upright and upside down
- Suitable for triangle, square and rectangular shaped truss
- Can be positioned on an angle
- Suitable for M29S-T, M39S-T and M39R
- Load capacity 500 KG**



* Connection materials for the wall are not included.

** The individual wall to which the wall adapter will be connected need to be structurally sound to bear the loads.

CONNECTOR M00
202001 0.15 kg



SPIGOT M03
202003 0.04 kg



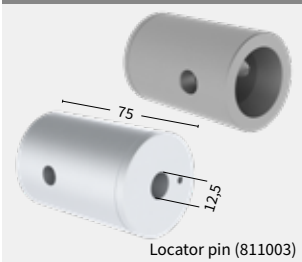
SPIGOT / THREAD M04
202004 0.04 kg



R-SPRING M05
202005



RECEIVER M51
202009 0.28 kg



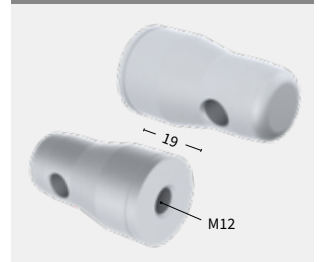
RECEIVER M53
202026 0.36 kg



HALF CONNECTOR M52S
202008 0.14 kg



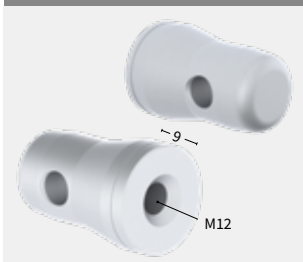
HALF CONNECTOR M02
202002 0.12 kg



HALF CONNECTOR M50
202010 0.07 kg



HALF CONNECTOR M49
202007 0.1 kg



SPACER		
Code	Length	Weight
202011	2 mm	0.16 kg
202027	5 mm	0.18 kg
202012	10 mm	0.2 kg
202013	20 mm	0.25 kg
202014	30 mm	0.3 kg
202015	40 mm	0.36 kg
202016	50 mm	0.41 kg



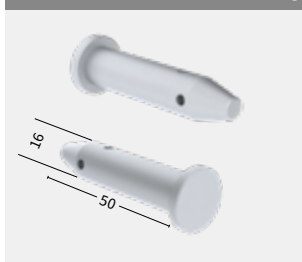
HINGE MALE
202019 0.2 kg



HINGE FEMALE
202018 0.28 kg



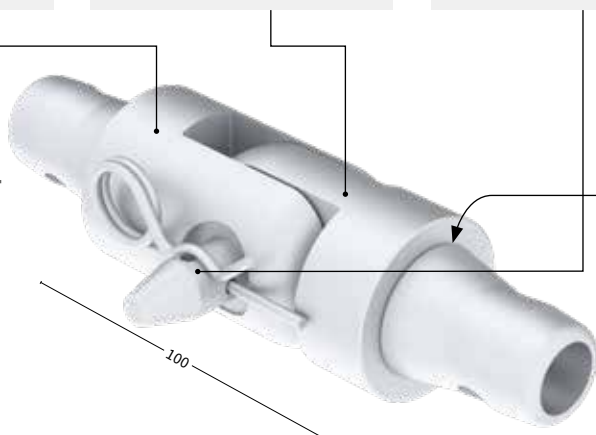
HINGE PIN
202020 0.12 kg



HANG-ON SAFE
251014 0.2 kg



COMPLETE HINGE SET
202041
M12 x 25 (817008)



LOCATOR PIN 3 x 8
811003











50 x 4 mm

L35

Length

 Square	44
 Rectangle	45

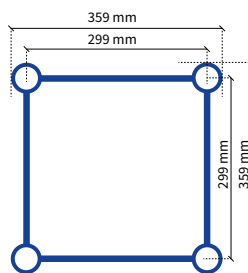
Corners


 Square	46
 Rectangle	46

Accessories

46





 12 kg/m

 ((RFID) READY)

 L

 P.124

 ALU/BLACK

Square - L35S

Code	Length
151001	50 cm
151002	60 cm
151003	80 cm
151004	100 cm
151005	120 cm
151006	150 cm
151007	200 cm
151008	240 cm
151009	250 cm
151010	300 cm
151012	400 cm

Load table L35S


Span m	CPL kg	Deflection mm	2 x load kg	Deflection mm	3 x load kg	Deflection mm	4 x load kg	Deflection mm	UDL kg/m	Deflection mm
2.0	2948.2	3	1865.9	4	1412.9	3	1146.1	4	2303.8	4
4.0	1873.0	12	1216.4	15	995.6	14	822.1	15	1146.5	15
6.0	1380.8	26	929.4	34	778.9	31	597.4	34	595.5	33
8.0	1085.3	47	747.2	60	595.8	56	465.6	60	330.3	58
10.0	886.2	73	620.1	93	477.9	87	378.1	93	207.5	91
12.0	741.7	105	525.7	134	394.9	125	315.3	134	140.8	132
14.0	630.9	143	452.0	183	332.7	170	267.5	183	100.6	179
16.0	542.6	187	392.6	239	284.0	222	229.7	239	74.5	234
20.0	408.3	292	300.8	373	211.2	347	172.6	373	43.8	365

Cantilever load

Span m	1 x Load kg	Deflection mm	UDL kg/m	Deflection mm
0.5	2120.6	0	4618.3	0
1.0	1470.3	1	2114.9	1
1.5	1131.1	3	1163.5	2
2.0	931.9	8	730.8	5
2.5	790.6	17	501.9	8
3.0	684.8	30	372.6	13
3.5	602.4	49	287.3	18
4.0	536.4	75	228.0	25

Multiple supported span

Span m	CPL kg	Deflection mm	2 x Load kg	Deflection mm	UDL kg/m	Deflection mm
2.0	2971.0	1	1586.3	1	1828.5	1
4.0	2005.9	4	1097.8	3	670.1	3
6.0	1537.5	10	837.4	9	340.7	8
8.0	1246.2	19	682.7	17	211.6	15
10.0	1038.2	31	571.1	28	143.2	25
12.0	880.9	46	486.0	41	102.5	37
14.0	756.6	62	418.5	56	76.2	51
16.0	655.2	80	363.1	73	58.2	66
20.0	497.3	119	276.5	108	35.7	112

 Find complete loading tables on SIXTY82.nl

All loading data is based on calculations per EN-1999-1-1 and the following assumptions:

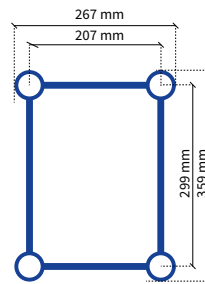
- Static loads only.
- Spans supported or suspended at both ends.
- Triangle trusses solely used apex-up, apex-down.
- 2 chords truss to be placed upright, supported from top chord and loaded from bottom chord.
- Truss spans can be constructed of elements of different length.

- Interaction between bending moment and shear force considered.
- Self-weight of truss is already considered.
- Assembled truss systems need an individual structural calculation. Please contact SIXTY82 or a structural engineer.
- Read the manual before use.
- Higher loading can be allowed depending on the truss configuration.



50 x 4 mm

Length Rectangle

L35R

11 kg/m

 ((RFID)
READY

L

P.124



ALU/BLACK

Rectangle - L35R

Code	Length
154001	50 cm
154002	60 cm
154003	80 cm
154004	100 cm
154005	120 cm
154006	150 cm
154007	200 cm
154008	240 cm
154009	250 cm
154010	300 cm
154012	400 cm

Load table L35R

Span	CPL	Deflection	2 x load	Deflection	3 x load	Deflection	4 x load	Deflection	UDL	Deflection
m	kg	mm	kg	mm	kg	mm	kg	mm	kg/m	mm
2.0	2948.5	3	1866.3	4	1413.3	3	1146.6	4	2305.1	4
4.0	1874.3	12	1217.2	15	996.5	14	822.7	15	1147.8	15
6.0	1383.3	26	930.9	34	780.4	31	598.6	34	596.9	33
8.0	1088.9	47	749.5	60	598.0	56	467.3	60	331.6	58
10.0	891.1	73	623.2	93	480.8	87	380.3	93	208.8	91
12.0	747.9	105	529.6	134	398.5	125	318.0	134	142.1	132
14.0	638.5	143	456.9	183	336.9	170	270.8	183	101.9	179
16.0	551.5	187	398.4	239	288.9	222	233.5	239	75.8	234
20.0	420.0	292	308.6	373	217.5	347	177.5	373	45.1	365

Cantilever load

Span	1 x Load	Deflection	UDL	Deflection
m	kg	mm	kg/m	mm
0.5	2121.1	0	4619.7	0
1.0	1470.9	1	2116.1	1
1.5	1132.0	3	1164.6	2
2.0	933.1	8	731.7	5
2.5	792.1	17	502.7	8
3.0	686.7	30	373.4	12
3.5	604.7	50	288.2	18
4.0	538.9	75	228.9	25

Multiple supported span

Span	CPL	Deflection	2 x Load	Deflection	UDL	Deflection
m	kg	mm	kg	mm	kg/m	mm
2.0	2972.9	1	1587.3	1	1829.9	1
4.0	2008.4	4	1099.0	3	671.1	3
6.0	1541.4	10	839.5	9	341.5	8
8.0	1251.8	19	685.7	17	212.4	15
10.0	1045.5	31	575.0	28	144.1	25
12.0	889.9	46	490.9	41	103.4	37
14.0	767.4	63	424.4	57	77.2	52
16.0	667.7	82	370.0	74	59.2	68
20.0	513.3	123	285.3	112	36.9	115

Find complete loading tables on SIXTY82.nl

All loading data is based on calculations per EN-1999-1-1 and the following assumptions:

- Static loads only.
- Spans supported or suspended at both ends.
- Triangle trusses solely used apex-up, apex-down.
- 2 chords truss to be placed upright, supported from top chord and loaded from bottom chord.
- Truss spans can be constructed of elements of different length.
- Interaction between bending moment and shear force considered.
- Self-weight of truss is already considered.
- Assembled truss systems need an individual structural calculation. Please contact SIXTY82 or a structural engineer.
- Read the manual before use.
- Higher loading can be allowed depending on the truss configuration.

L35

Corners


50 x 4 mm

BOX CORNER L35S

199008

21 kg

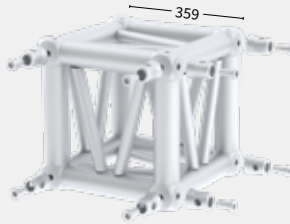


HALF CONNECTOR

203024

L52S

0.27 kg



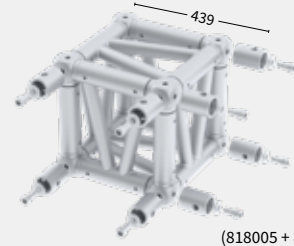
M16x30
(818035)

RECEIVER

203008

L51

0.35 kg

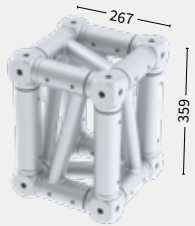


M16x35
(818005 + 818006)

BOX CORNER L35R

199007

15.9 kg

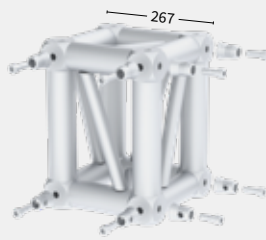


HALF CONNECTOR

203024

L52S

0.27 kg



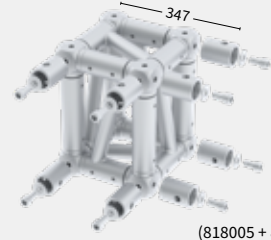
M16x30
(818035)

RECEIVER

203008

L51

0.35 kg



M16x35
(818005 + 818006)

L35

Accessories

BASE PLATE L35S

211008

12 kg

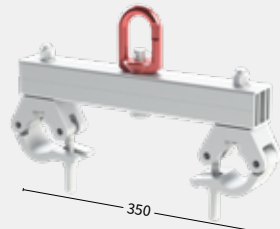


L02 + M16x40
(203002 + 818001)

LIFTING BRACKET L35S

212003

3.1 kg

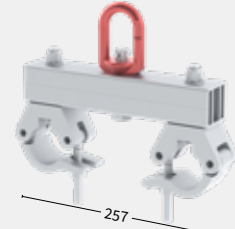


WLL 1000 kg

LIFTING BRACKET L35R

212004

2.85 kg



WLL 1000 kg

LIFTING BRACKET M29S/M39S/L35S

Code

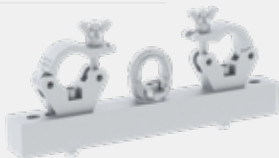
Finish

212014

Black

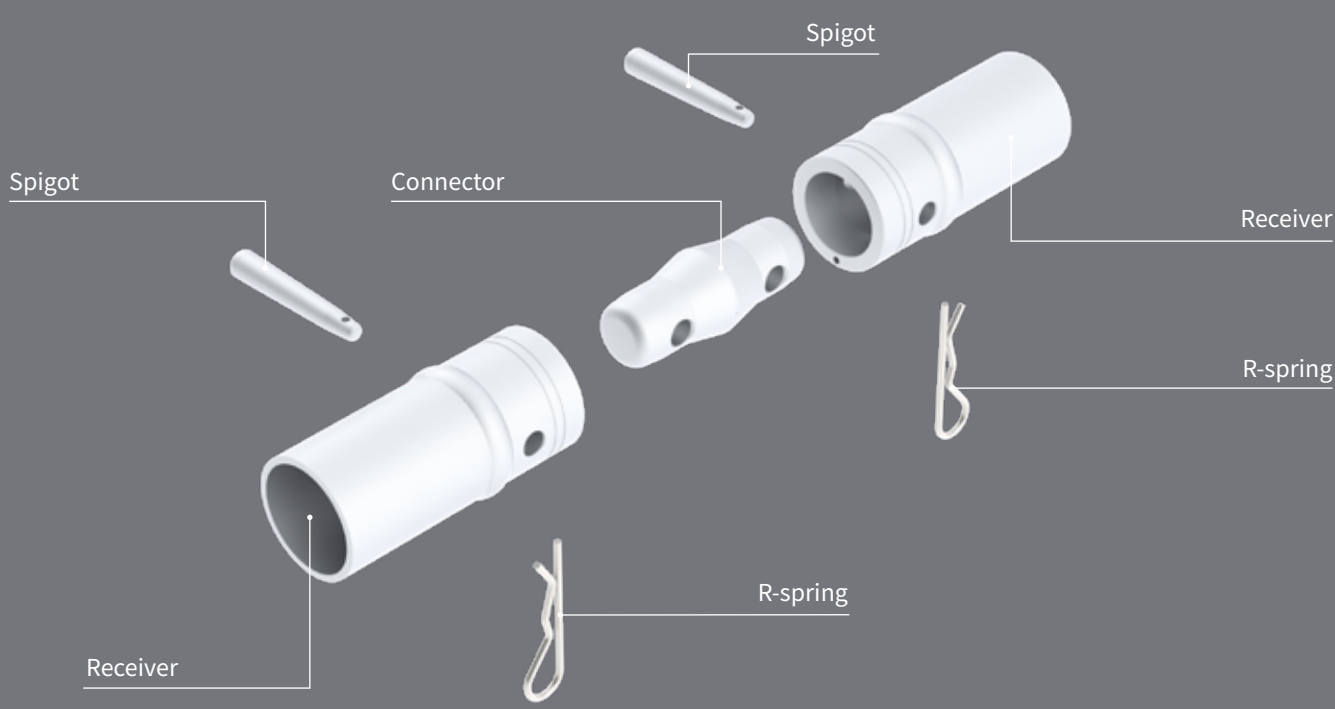
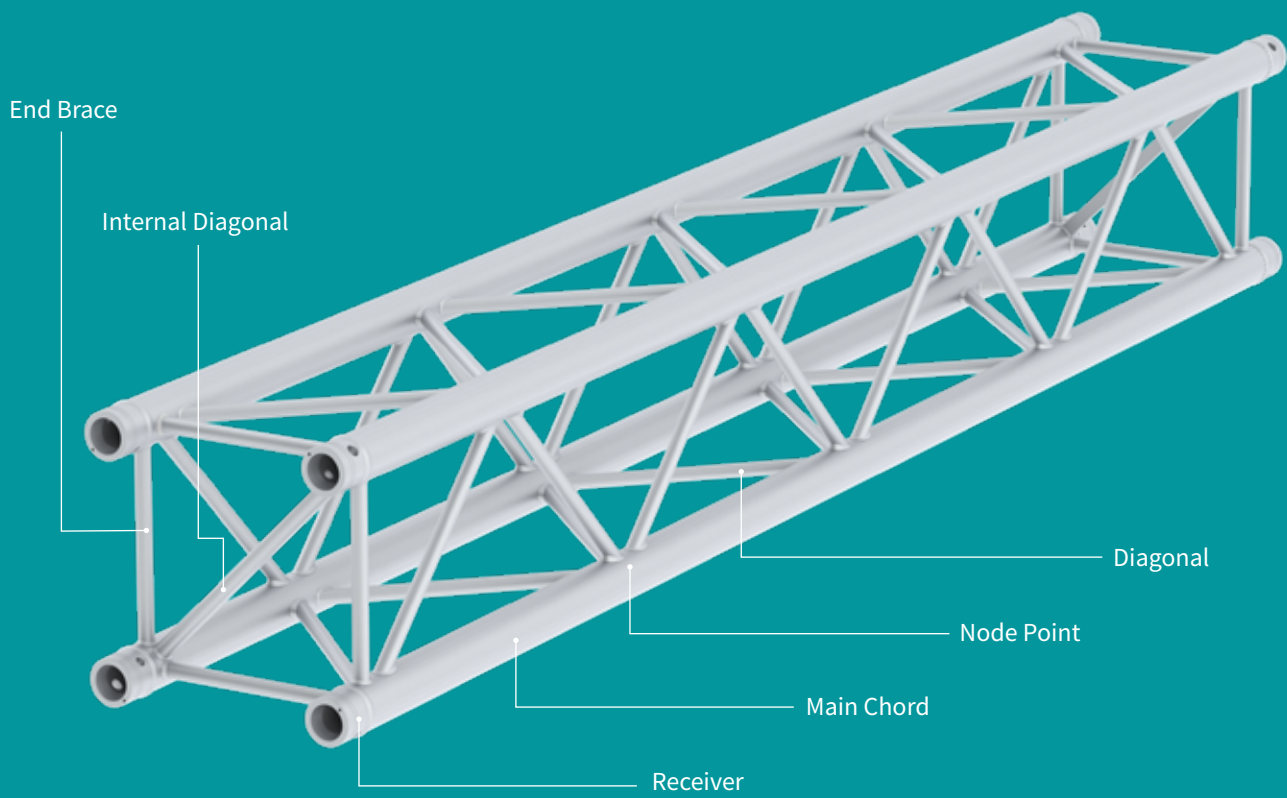
212013

Zinc



WLL 1500 kg

Truss terminology... **what is what?**



For further information, please refer to the SIXTY82 original user manual.





50 x 4 mm

L52

Length

 Square	50
--	----

Corners

 Square	51
--	----

Circle

 Square	51
--	----

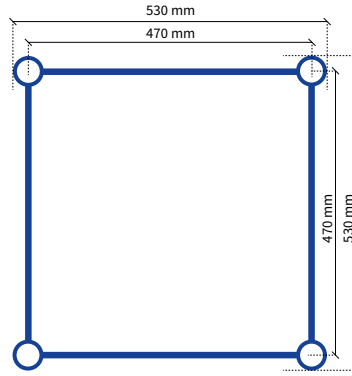
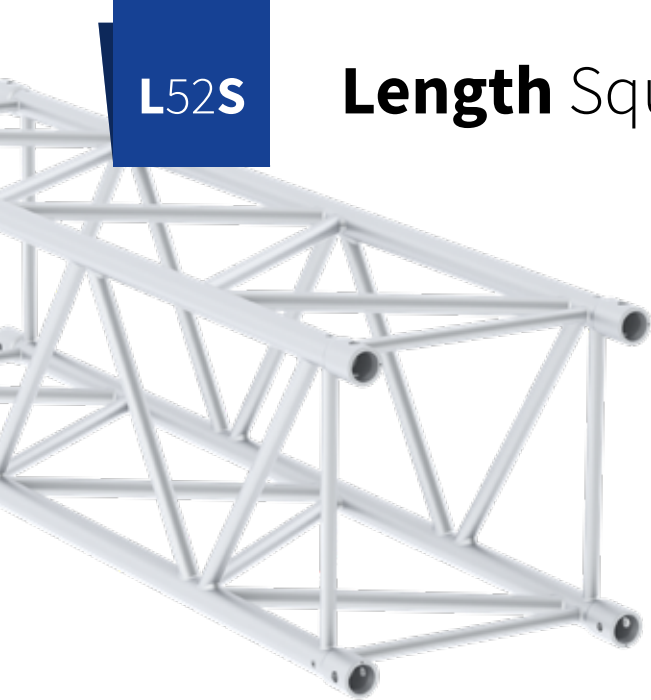
Middle Beam

51

Accessories

52





-  15 kg/m
-  (RFID)
READY
-  L
-  P.124
-  ALU/BLACK

Square - L52S

Code	Length
161001	50 cm
161002	60 cm
161003	80 cm
161004	100 cm
161005	120 cm
161006	150 cm
161007	200 cm
161008	240 cm
161009	250 cm
161010	300 cm
161012	400 cm

Load table L52S


Span m	CPL kg	Deflection mm	2 x load kg	Deflection mm	3 x load kg	Deflection mm	4 x load kg	Deflection mm	UDL kg/m	Deflection mm
2.0	3735.9	2	2215.2	2	1611.5	2	1273.2	2	2827.1	2
6.0	1925.9	17	1245.2	22	1013.9	20	846.0	22	933.4	21
10.0	1296.6	47	877.7	60	725.7	56	559.1	60	329.6	59
14.0	953.6	92	663.6	117	517.3	109	407.2	117	161.6	115
18.0	731.5	152	519.7	194	389.2	180	310.7	194	92.4	190
20.0	646.0	187	463.2	239	341.1	222	273.8	239	72.3	234
22.0	571.9	227	413.7	290	300.1	269	242.1	290	57.4	283
24.0	506.8	270	369.7	345	264.4	320	214.3	345	46.1	337
26.0	448.6	317	330.1	404	232.9	376	189.6	404	37.3	396

Cantilever load

Span m	1 x Load kg	Deflection mm	UDL kg/m	Deflection mm
0.5	2418.3	0	5497.5	0
1.0	1862.0	0	2411.9	0
1.5	1467.1	2	1406.2	1
2.0	1246.3	4	925.7	2
2.5	1082.1	9	654.0	4
3.0	954.3	17	484.6	7
3.5	851.8	28	380.2	10
4.0	767.7	44	306.4	13

Multiple supported span

Span m	CPL kg	Deflection mm	2 x Load kg	Deflection mm	UDL kg/m	Deflection mm
2.0	3425.2	0	1808.2	0	2031.0	0
6.0	2016.4	5	1092.4	5	443.8	4
10.0	1443.8	18	787.8	16	193.3	14
14.0	1095.0	37	601.6	33	107.4	29
18.0	854.3	61	471.6	55	66.4	49
20.0	758.5	74	419.5	67	53.4	68
22.0	674.2	88	373.5	79	43.5	99
24.0	599.0	101	332.4	92	35.6	140
26.0	531.4	114	295.2	103	29.3	193

 Find complete loading tables on SIXTY82.nl

All loading data is based on calculations per EN-1999-1-1 and the following assumptions:

- Static loads only.
- Spans supported or suspended at both ends.
- Triangle trusses solely used apex-up, apex-down.
- 2 chords truss to be placed upright, supported from top chord and loaded from bottom chord.
- Truss spans can be constructed of elements of different length.

- Interaction between bending moment and shear force considered.
- Self-weight of truss is already considered.
- Assembled truss systems need an individual structural calculation. Please contact SIXTY82 or a structural engineer.
- Read the manual before use.
- Higher loading can be allowed depending on the truss configuration.



50 x 4 mm

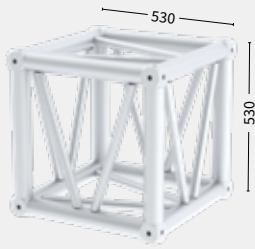
Corners

L52

BOX CORNER L52S

199009

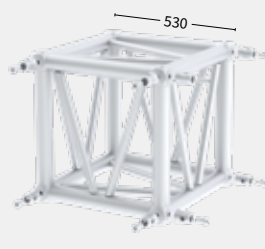
27.4 kg



HALF CONNECTOR

203024

L52S
0.27 kg

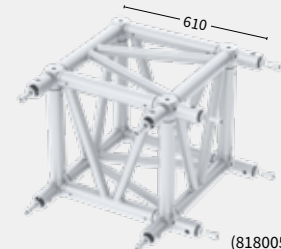


M16x30
(818035)

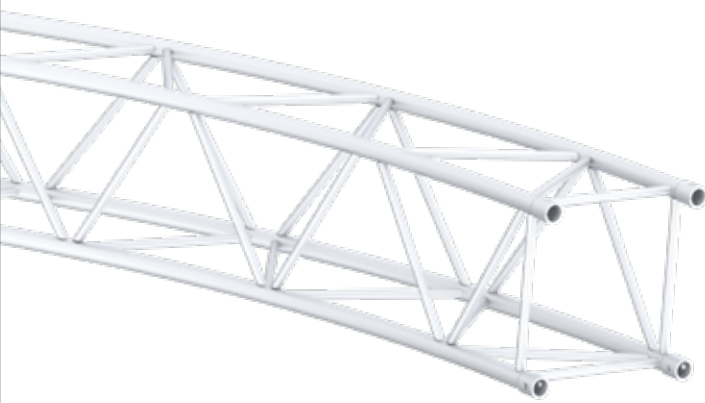
RECEIVER

203008

L51
0.35 kg



M16x35
(818005 + 818006)



Circles

L52

L52S Circle part

15 kg/m

M

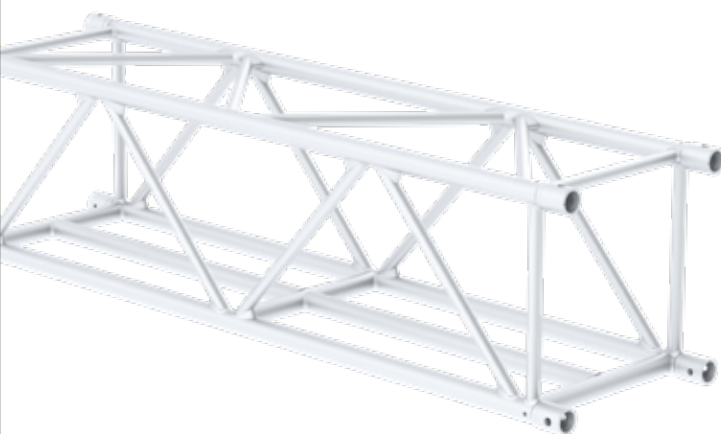
ALU/BLACK

RFID READY

P.124

Code	Ø Diameter	Angle	Parts/Circle
163001	3 m	90	4
163002	4 m	90	4
163003	5 m	90	4
163004	6 m	90	4
163005	8 m	45	8
163006	10 m	30	12

• Subject to tolerance, because product is 100% handmade.



Middle beam

L52

12.6 kg/m

M

ALU/BLACK

RFID READY

P.124

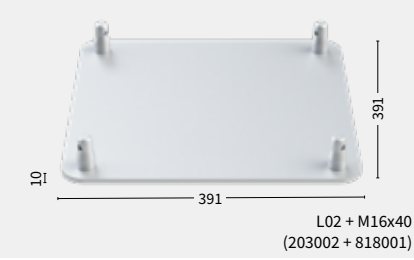
L52 Middle Beam

Code	Length
166004	100 cm
166007	200 cm
166010	300 cm

BASE PLATE L52S

211007

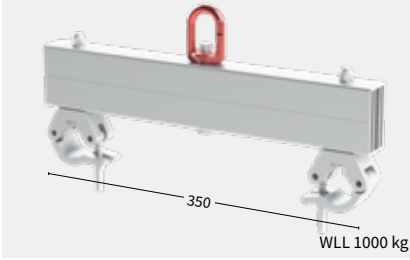
24.43 kg



LIFTING BRACKET L52S

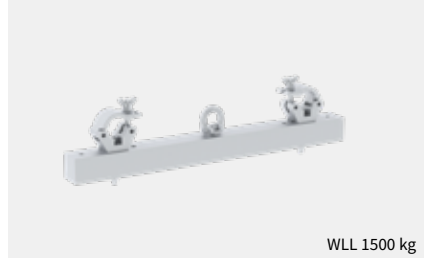
212005

4.72 kg



LIFTING BRACKET L52/XL101

212015



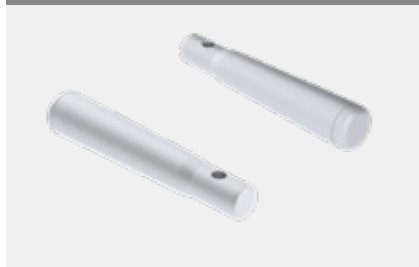
Accessories L Series



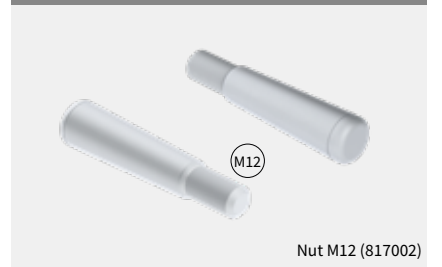
CONNECTOR **L00**
203001 0.31 kg



SPIGOT **L03**
203003 0.12 kg



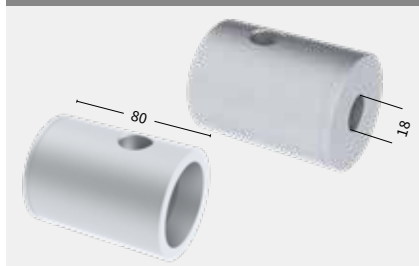
SPIGOT / THREAD **L04**
203004 0.12 kg



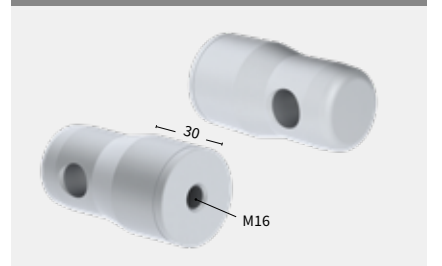
R-SPRING **L05**
203005 0.01 kg



RECEIVER **L51**
203008 0.35 kg

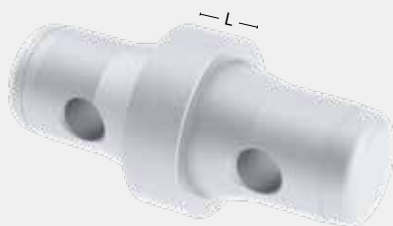


HALF CONNECTOR **L02**
203002 0.26 kg

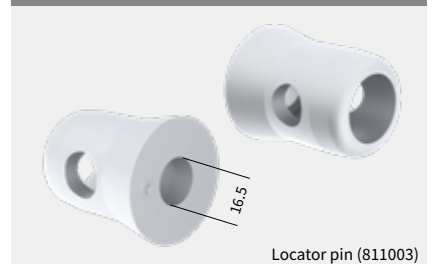


SPACER
Code Length Weight

203009	2 mm	0.3 kg
203010	5 mm	0.33 kg
203011	10 mm	0.36 kg
203012	20 mm	0.44 kg
203013	30 mm	0.51 kg
203014	40 mm	0.59 kg
203015	50 mm	0.67 kg



HALF CONNECTOR **L52S**
203024 0.27 kg



LOCATOR PIN 3 x 8
811003











60 x 6 mm

XL101

Length

 Rectangle	56
 Folding	57

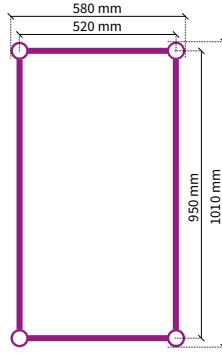
Corners

 Rectangle	58
 Folding	58

Accessories




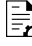

59





Rectangle - XL101R

Code	Length
171001	80 cm
171002	100 cm
171003	120 cm
171004	200 cm
171005	240 cm
171006	250 cm
171007	300 cm
171009	400 cm
171011	480 cm

-  25 kg/m
-  ((RFID)
READY)
-  L
-  P.124
-  ALU/BLACK

Load table XL101R


Span m	CPL kg	Deflection mm	2 x load kg	Deflection mm	3 x load kg	Deflection mm	4 x load kg	Deflection mm	UDL kg/m	Deflection mm
4.0	7034.6	4	4261.0	5	3139.5	4	2500.8	5	2993.4	5
12.0	3549.8	33	2322.7	42	1909.9	39	1549.9	42	808.3	41
16.0	2820.5	58	1894.7	74	1592.0	69	1218.3	74	444.8	73
20.0	2309.7	91	1582.3	116	1273.9	108	990.4	116	276.6	114
24.0	1926.6	131	1341.1	168	1044.8	156	821.8	168	185.2	164
28.0	1624.7	179	1146.9	228	869.5	212	690.4	228	130.1	223
32.0	1377.4	233	984.9	298	729.4	277	583.7	298	94.3	291
36.0	1168.6	295	846.1	377	613.3	350	494.3	377	69.8	369
40.0	987.9	364	724.2	465	514.5	432	417.4	465	52.3	455

Cantilever load

Span m	1 x Load kg	Deflection mm	UDL kg/m	Deflection mm
0.5	5483.6	0	11737.1	0
1.0	4712.9	0	5472.8	0
1.5	4047.9	1	3382.1	0
2.0	3500.7	2	2346.6	1
2.5	3058.4	4	1736.7	2
3.0	2771.9	7	1340.4	3
3.5	2532.3	12	1066.0	4
4.0	2328.6	18	867.2	5

Multiple supported span

Span m	CPL kg	Deflection mm	2 x Load kg	Deflection mm	UDL kg/m	Deflection mm
4.0	6638.8	1	3518.0	1	1991.3	1
12.0	3763.9	11	2037.5	10	409.3	8
16.0	3090.1	22	1683.6	19	257.1	17
20.0	2584.5	35	1415.0	31	175.2	28
24.0	2186.3	51	1201.7	46	125.3	53
28.0	1861.0	70	1026.1	63	92.5	98
32.0	1587.5	89	877.6	80	69.8	167
36.0	1352.0	107	749.2	97	53.3	267
40.0	1145.4	125	636.0	113	41.0	400

 Find complete loading tables on SIXTY82.nl

All loading data is based on calculations per EN-1999-1-1 and the following assumptions:

- Static loads only.
- Spans supported or suspended at both ends.
- Triangle trusses solely used apex-up, apex-down.
- 2 chords truss to be placed upright, supported from top chord and loaded from bottom chord.
- Truss spans can be constructed of elements of different length.

- Interaction between bending moment and shear force considered.
- Self-weight of truss is already considered.
- Assembled truss systems need an individual structural calculation. Please contact SIXTY82 or a structural engineer.
- Read the manual before use.
- Higher loading can be allowed depending on the truss configuration.



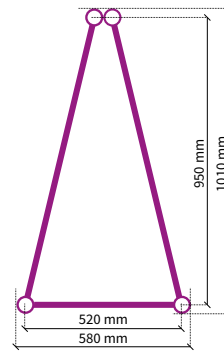
60 x 6 mm

Length Folding

XL101F

Folding - XL101F

Code	Length
173001	74 cm
173002	80 cm
173003	100 cm
173004	120 cm
173005	200 cm
173006	240 cm
173008	300 cm



23 kg/m

((RFID))
READY

L

P.124

ALU/BLACK



Load table XL101F

Span	CPL	Deflection	2 x load	Deflection	3 x load	Deflection	4 x load	Deflection	UDL	Deflection
m	kg	mm	kg	mm	kg	mm	kg	mm	kg/m	mm
2.4	2598.8	1	1299.4	1	866.3	1	649.7	1	1068.4	1
7.2	2637.7	10	1140.6	13	760.4	12	643.7	13	368.9	13
12.0	1309.2	29	981.9	36	654.6	34	637.8	36	170.5	36
16.8	1516.3	56	1137.2	71	758.2	66	631.8	71	131.6	70
21.6	1092.0	92	819.0	118	546.0	110	455.0	118	91.0	115
26.4	1187.6	138	890.7	176	593.8	164	494.9	176	83.5	172
31.2	1142.3	193	856.7	246	571.2	229	476.0	246	68.9	241
33.6	1020.0	224	765.0	285	510.0	265	425.0	285	64.3	279
36.0	986.2	257	739.7	328	493.1	304	410.9	328	58.7	321

Find complete loading tables on SIXTY82.nl

All loading data is based on calculations per EN-1999-1-1 and the following assumptions:

- Lateral stabilization required every 12m.
- Static loads only.
- Spans supported or suspended at both ends.
- Triangle trusses solely used apex-up, apex-down.
- 2 chords truss to be placed upright, supported from top chord and loaded from bottom chord.
- Truss spans can be constructed of elements of different length.
- Interaction between bending moment and shear force considered.
- Self-weight of truss is already considered.
- Assembled truss systems need an individual structural calculation. Please contact SIXTY82 or a structural engineer.
- Read the manual before use.
- Higher loading can be allowed depending on the truss configuration.

XL101R

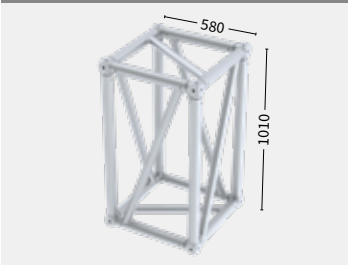
Corners Rectangle



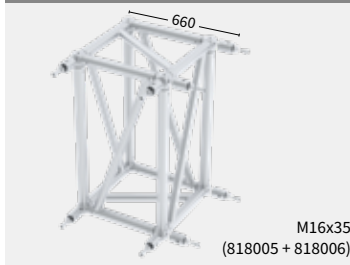
60 x 6 mm

Box

BOX CORNER XL101R
199010 34.5 kg



RECEIVER **L51**
203008 0.35 kg



XL101F

Corners Folding

3way

XL101F-C317 **T JOINT**
174001



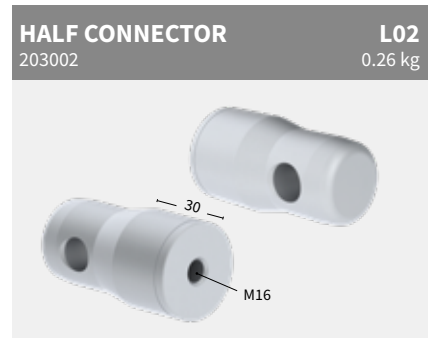
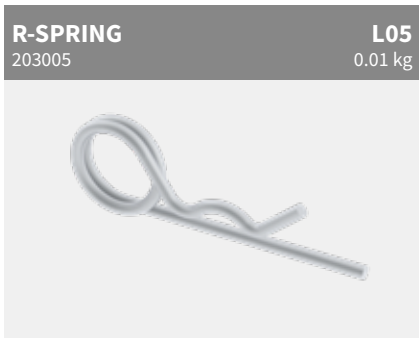
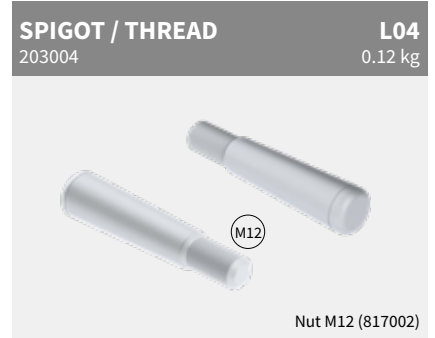
4way

XL101F-C416 **CROSS**
174002



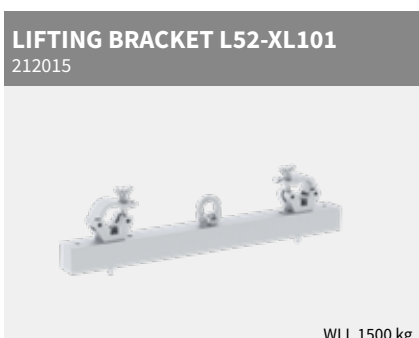
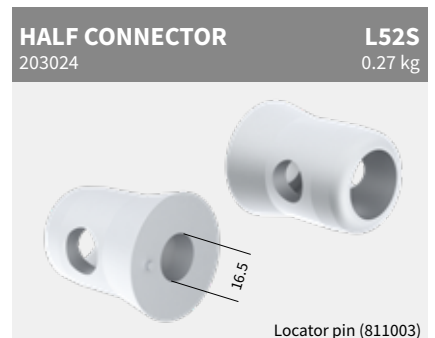
Accessories XL Series

XL

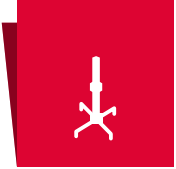


SPACER

Code	Length	Weight
203009	2 mm	0.3 kg
203010	5 mm	0.33 kg
203011	10 mm	0.36 kg
203012	20 mm	0.44 kg
203013	30 mm	0.51 kg
203014	40 mm	0.59 kg
203015	50 mm	0.67 kg







Tower Model M	62
V-Tower Model M	64
Tower Model L	66
Tower Model XL	68
Multibase Tower	70





Tower Model M

HOW TO?

UNDERSTANDING TOWER LOADING

The following variables determine the allowable tower loading:

- Tower length
- Tower cross sectional dimensions
- Dimension of chords
- Method of restraining top and bottom of the tower
- Use of guy wires
- If the tower base is ballasted

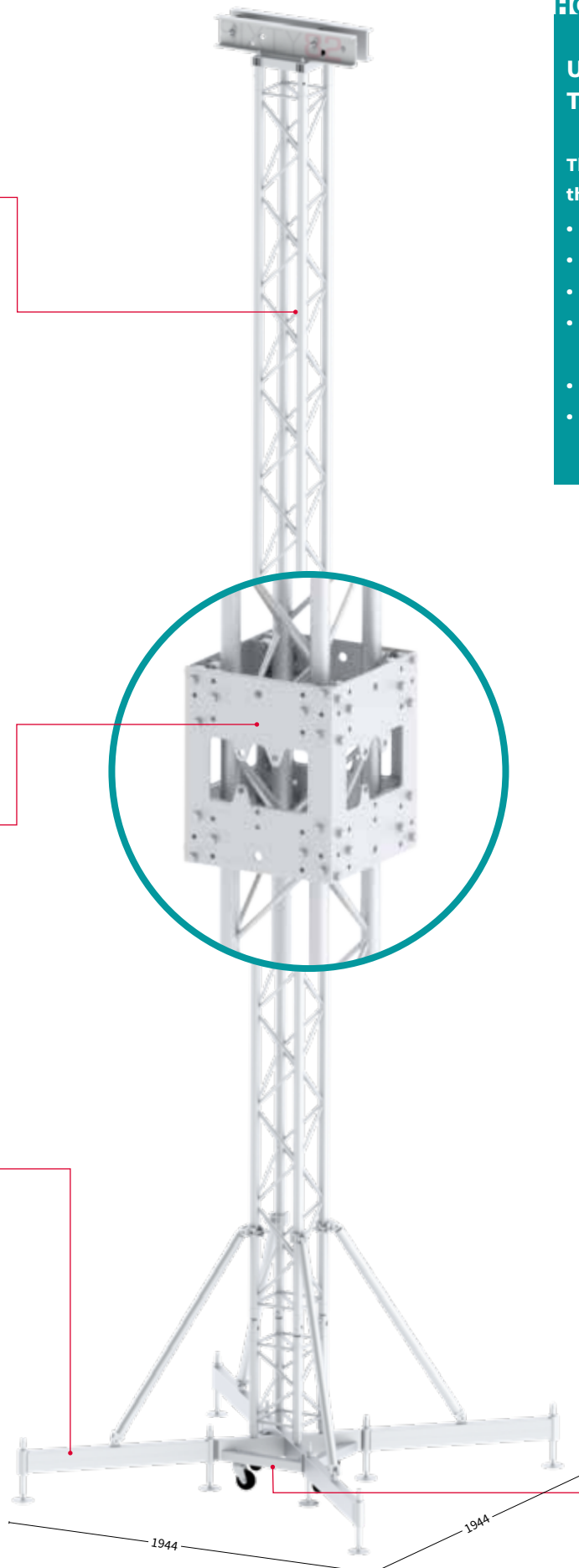
M29S
Trussing Tower

Integrated
deadhang:
safe and fast

Self-locking
outrigger system:
a unique feature
of the Alu Base

Alu Base:

- Lighter due to use of bespoke aluminium extrusions
- Compact design
- Self locking outrigger system
- No moving locking parts

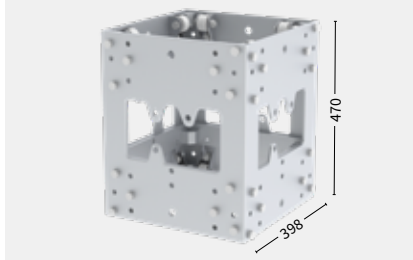




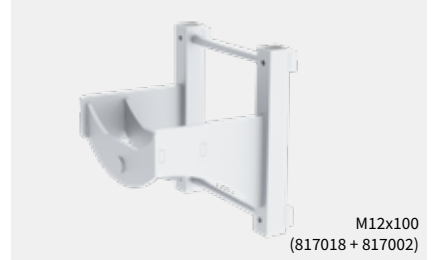
WHY SLEEVE BLOCK PLATED?

- Completely bolted to avoid weakening due to welding
- Lighter weight due to use of special alloys
- Integrated deadhang system
- Deadhang system restrains the sleeve block in 2 directions, therefore optimised for roof systems
- Radiused edges for ease of handling

SLEEVE BLOCK M29/M39 TM10
232001 25.2 kg



MOTOR BRACKET TM10
234003 6.47 kg



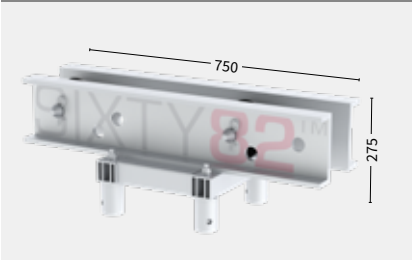
HORSE SHOE TM10
232006 0.31 kg



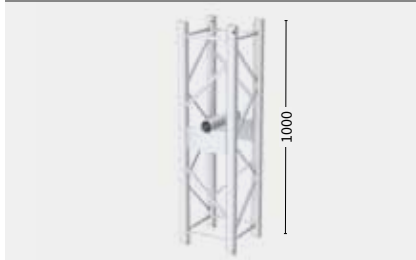
SAFE CHAIN 2.5T L400 TM09
243020



HEAD SECTION TM09
233001 7.3 kg



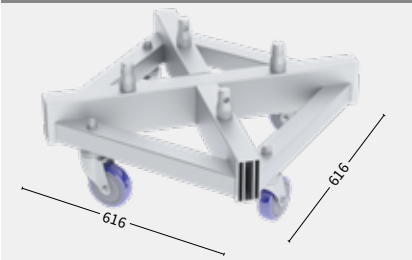
SAFE SYSTEM M29S TM10
232010 7.8 kg



SAFE PIN M29S TM10
232011 4 kg



ALU BASE TM04
231001 12.9 kg



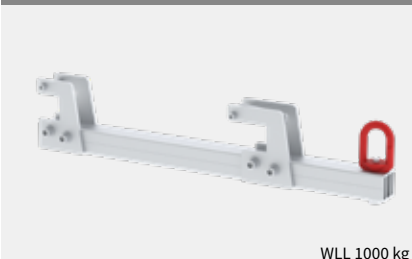
SHORT OUTRIGGER TM11
231002 3.1 kg



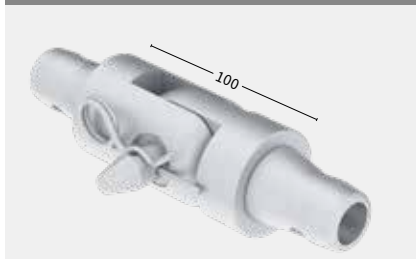
LONG OUTRIGGER TM12
231003 10.1 kg



MOTOR BRACKET BASE TM04
234019 3.9 kg



HINGE PART TM10
202041 1.75 kg

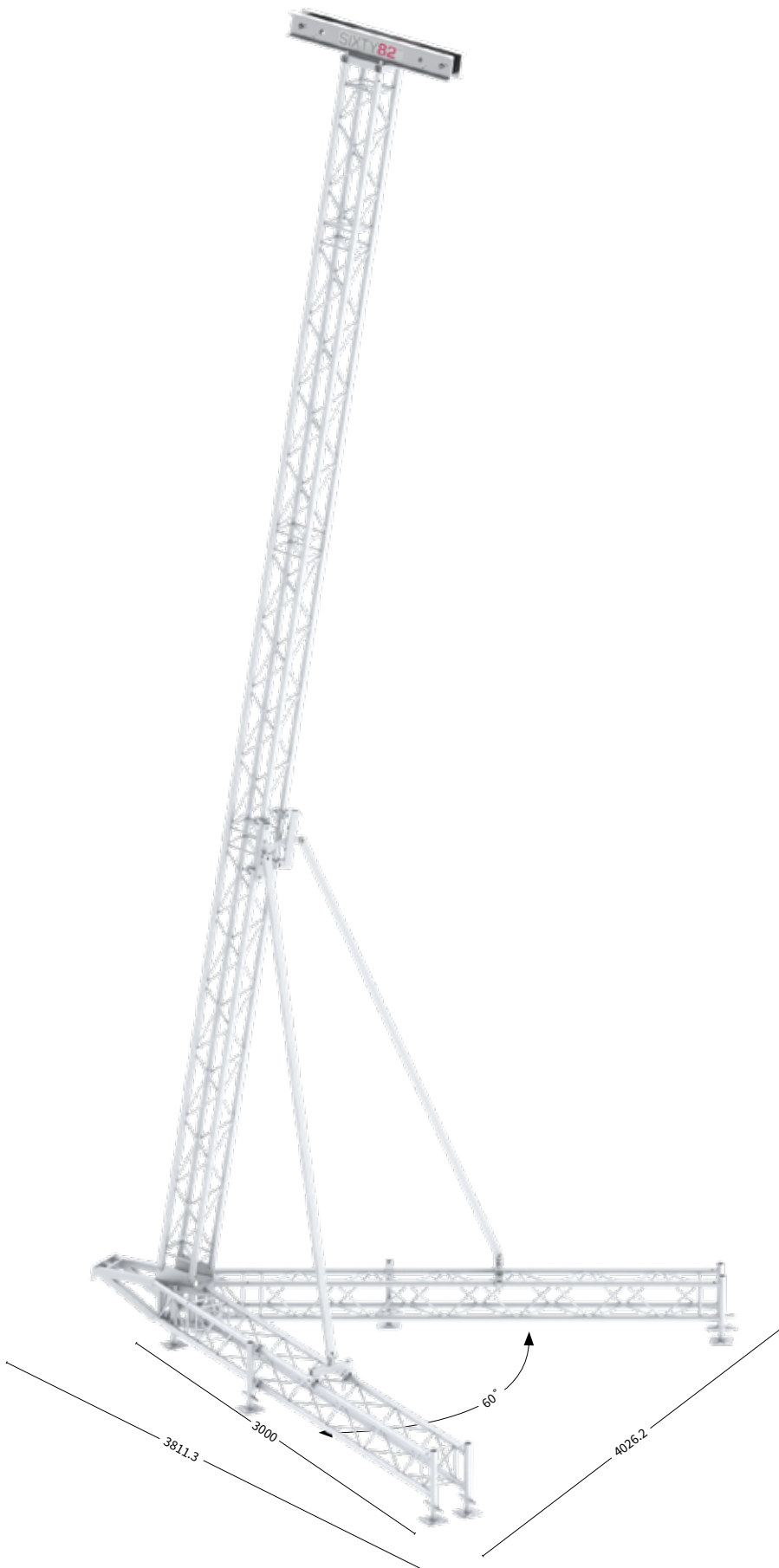


STABILISER M/L TM10
234005 2.11 kg





V-Tower Model M



WHY V TOWER MODEL M?

- Self-Standing tower system to hang PA systems
- Minimal ballast required due to its shape
- Faster to build, compared to similar systems
- Complies with latest EN13814 standard for temporary structures
- Small footprint
- Use of standard M29S trusses
- Lifting help available

TECHNICAL SPECIFICATIONS

- Max load 800 kg H = 750 cm
- Front surface 250 cm²
- Side surface 125 cm²
- Stabilizing profile
50 x 50 x 4 x 4 reinforced
- Max windspeed in service 20 m/s

VT CORNER M29S

631002

22.5 kg



VT HEAD SECTION M29S

631003

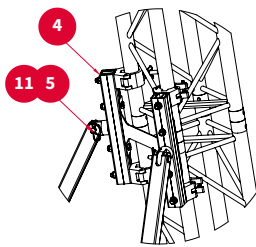
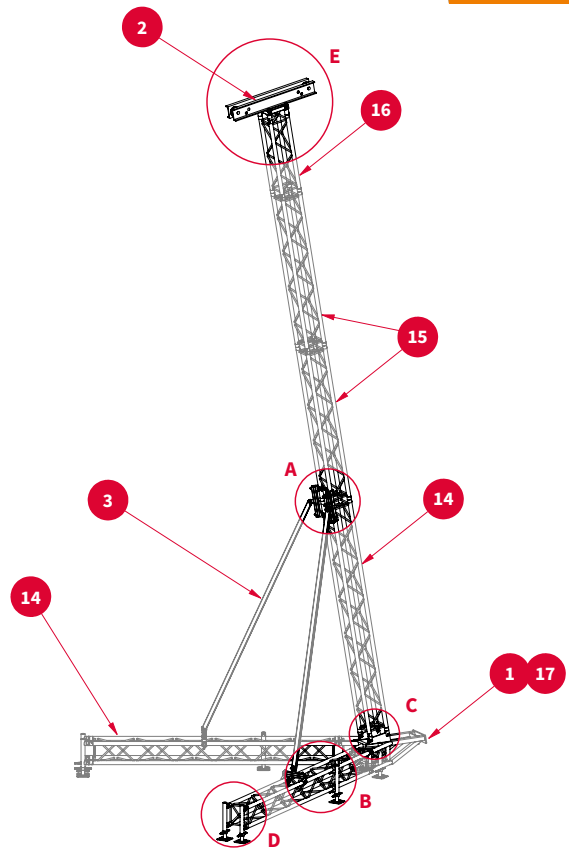
16.5 kg



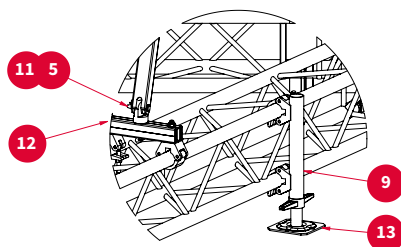


PARTS

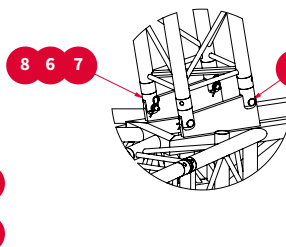
631002	1	VT corner M29S
631003	2	Head section VTM09
631006	3	VT Stabiliser M29S
631004	4	VT Stabiliser adapter
202020	5	Hinge pin M
817008	6	Bolt M12x025 low head
202008	7	Half connector M52S
202018	8	Hinge female
251002	9	Scaff spindle adapter M29 clamp
251010	10	Scaff spindle adapter M29 receiver
203005	11	R-spring L05
631005	12	VT Stabiliser bracket M29S
251013	13	Scaff spindle 40 cm
128010	14	M29S-L300
128008	15	M29S-L200
128006	16	M29S-L100
631007	17	VT Erecting help



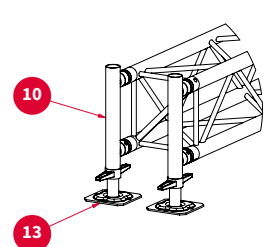
DETAIL A



DETAIL B



DETAIL C

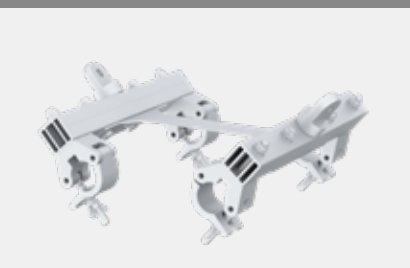


DETAIL D

VT STABILISER ADAPTER

631004

6.8 kg



VT STABILISER BRACKET M29S

631005

2.5 kg



VT STABILISER M29S

631006

9 kg



VT ERECTING HELP M

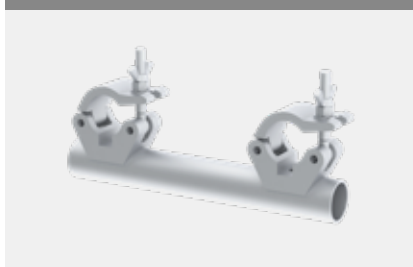
631007

14.5 kg



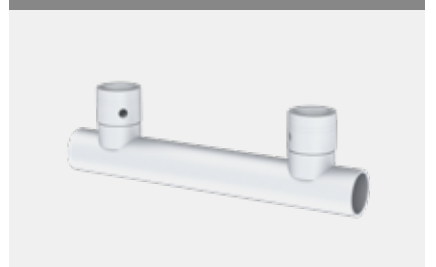
SCAFF SPINDLE ADAPTER CLAMP

251002



SCAFF SPINDLE ADAPTER RECEIVER

251010





Tower Model L

WHY TOWER MODEL L?

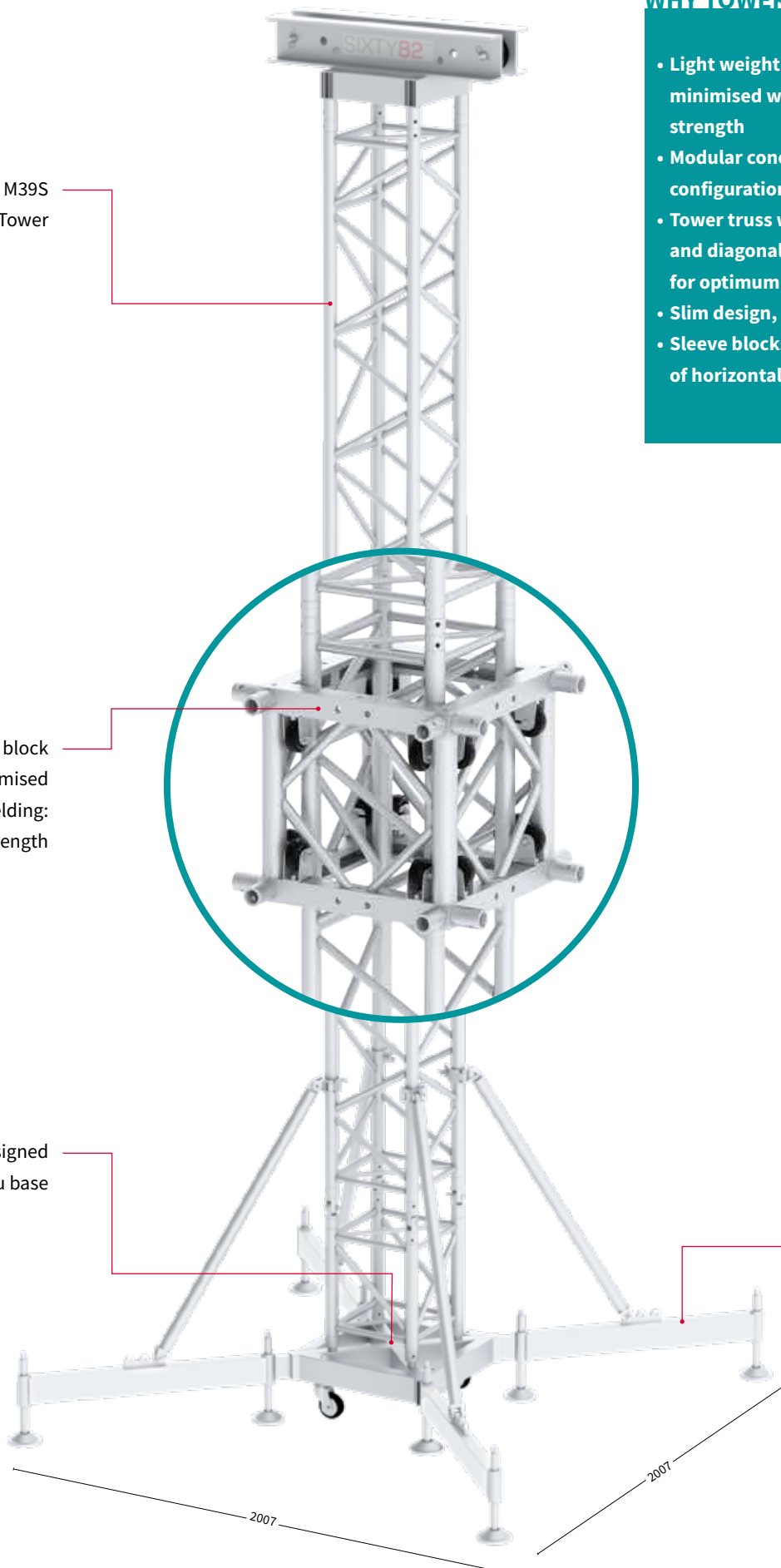
- Light weight sleeve block with minimised welding for optimal strength
- Modular concept allowing multiple configurations
- Tower truss with integrated ladder and diagonal bracing on all sides for optimum strength
- Slim design, less bulky footprint
- Sleeve blocks available for all kind of horizontal truss spans

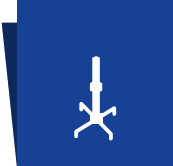
M39S
Trussing Tower

Sleeve block
with minimised
welding:
optimal strength

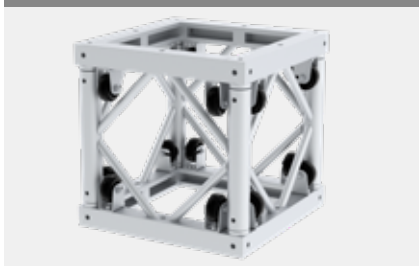
New designed
alu base

Long outrigger





SLEEVE BLOCK L52S TL10
232004 40 kg



ERECTING SYSTEM L TL10
234007 55.5 kg



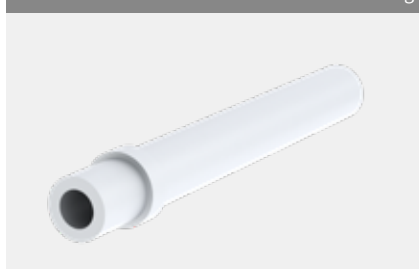
HORSE SHOE TL10
232012 0.3 kg



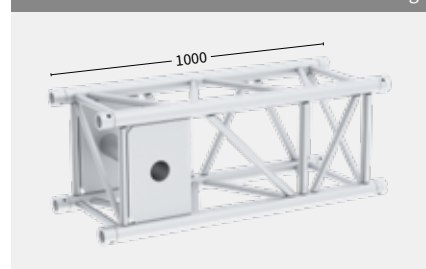
SLEEVE BLOCK XL101R-F TL10
232005 57.5 kg



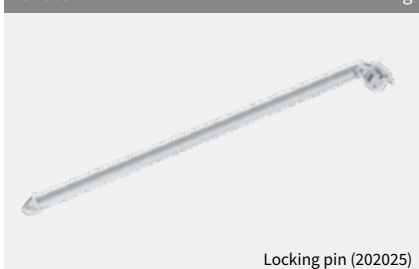
SAFE PIN M39S TL10
232019 3.89 kg



SAFE SYSTEM M39S TL10
192011 16 kg

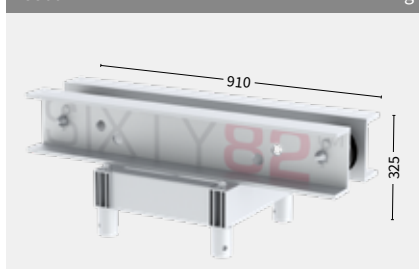


STABILISER M/L TL10
234005 2.11 kg



Locking pin (202025)

HEAD SECTION TL09
233002 27 kg



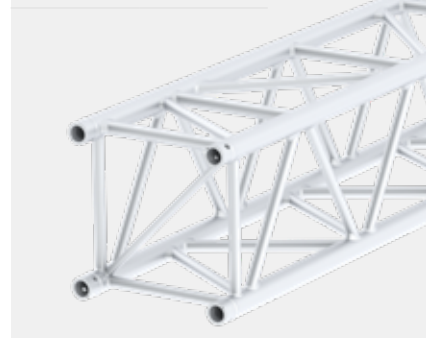
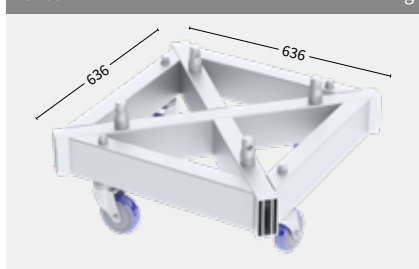
M39TOW TL10

Code	Length
192001	50 cm
192002	100 cm
192003	150 cm
192004	200 cm
192005	250 cm
192006	300 cm
192007	350 cm
192008	400 cm

SHORT OUTRIGGER TL11
231005 4.32 kg



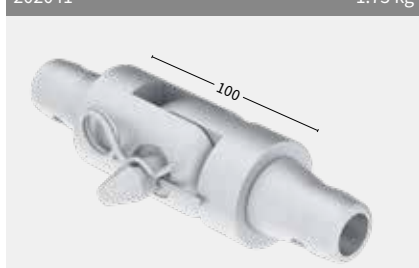
ALU BASE TL04
231004 17 kg



LONG OUTRIGGER TL12
231006 4.32 kg



HINGE PART TL10
202041 1.75 kg



MOTOR BRACKET TL10
234006 12 kg



M16x120
(818011 + 818009)



Tower Model XL

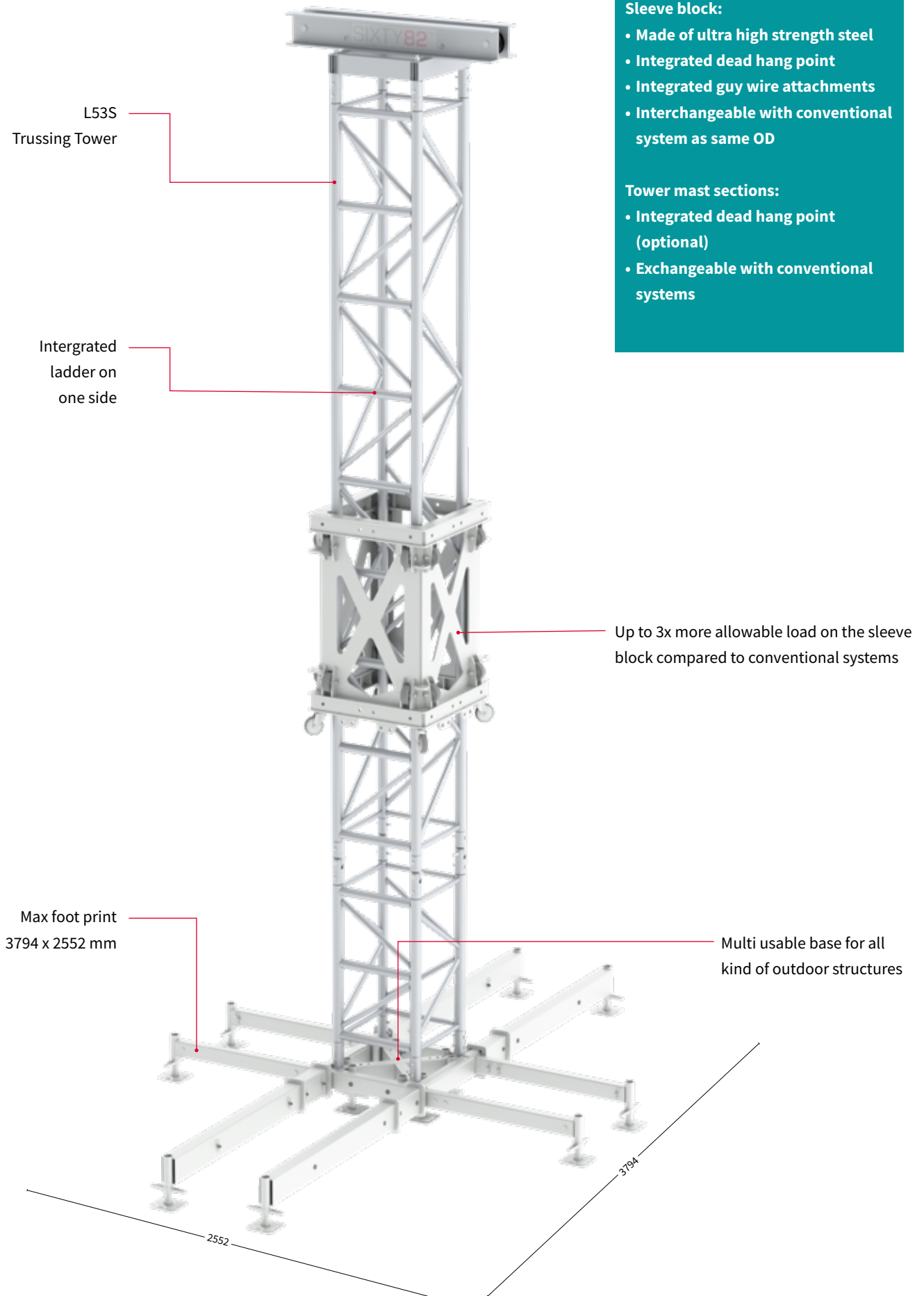
WHY TOWER MODEL XL?

Sleeve block:

- Made of ultra high strength steel
- Integrated dead hang point
- Integrated guy wire attachments
- Interchangeable with conventional system as same OD

Tower mast sections:

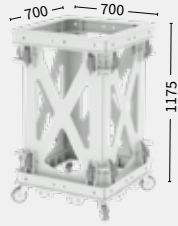
- Integrated dead hang point (optional)
- Exchangeable with conventional systems





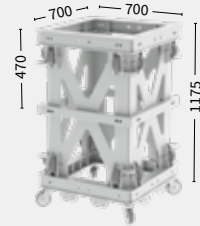
SLEEVE BLOCK XL101R-F
232008

TXL10
230 kg



SLEEVE BLOCK XL101F-R/L52S
232009

TXL10



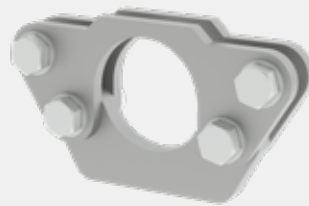
HEAD SECTION
233003

TXL09



HORSE SHOE
232016

TXL10



SAFE PIN L53S
232017

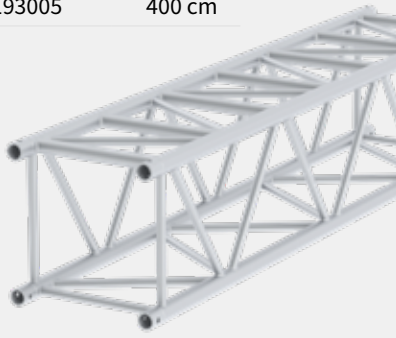
TXL10



L53TOW
Code

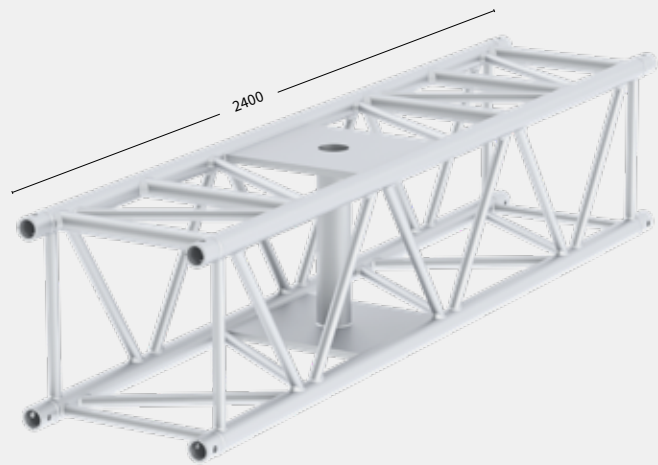
Length

193001	50 cm
193002	100 cm
193003	200 cm
193004	300 cm
193005	400 cm



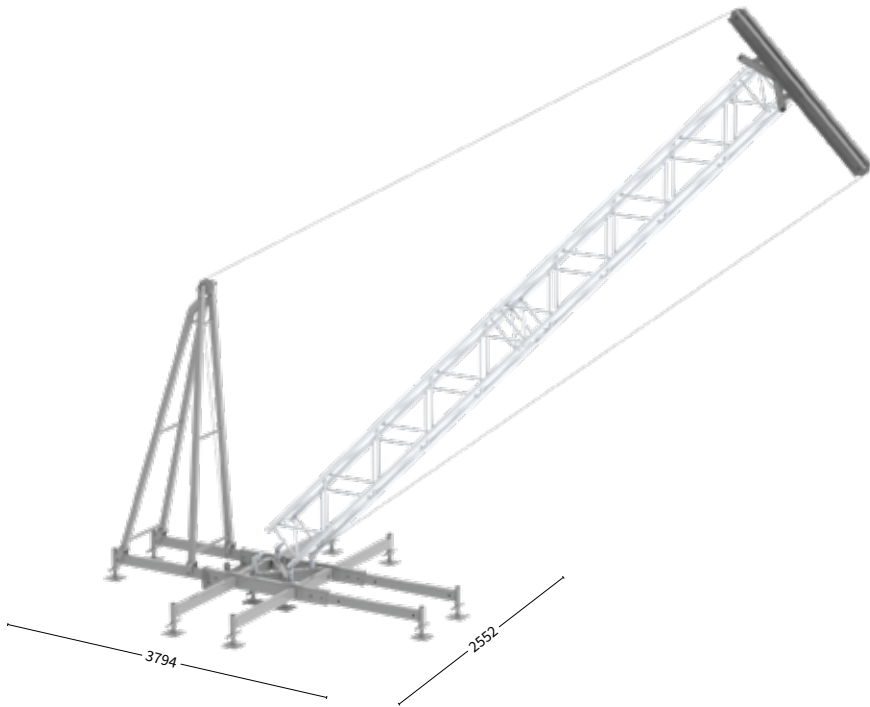
SAFE SYSTEM L53S
193007

TXL10





Multibase Tower



WHY MULTIBASE TOWER?

- Multi usable base for all kind of outdoor structures
- Self erecting by means of chain hoist
- Adapts to many different truss types
- Calculated and proven concept
- Can be used in conjunction with roof systems
- One size fits all head section
- Optional truss head
- Head section comes with multiple suspension points
- Calculated for coastal area (WS4) in Germany

MT BASE UNIT

231010

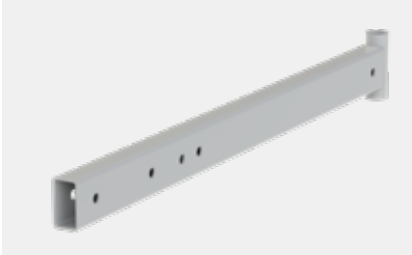
67 kg



MT OUTRIGGER M

231012

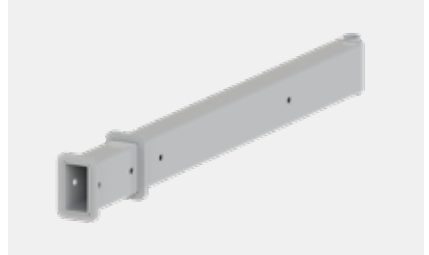
10 kg



MT OUTRIGGER L

231013

22.5 kg



MT ERECTING SYSTEM

234012

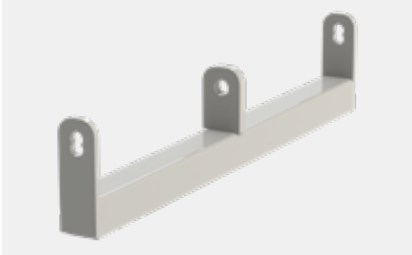
49 kg



MT HOIST BRACKET

234013

5.1 kg



MT HEAD SECTION

233005

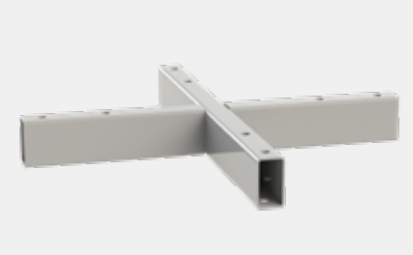
46 kg



MT CROSS

233006

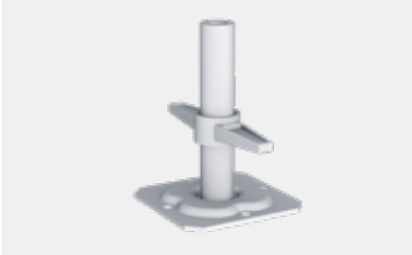
C52
11 kg



SCAFF SPINDLE 20 CM

251012

2.16 kg



L-PIN 16-135

811008

0.25 kg

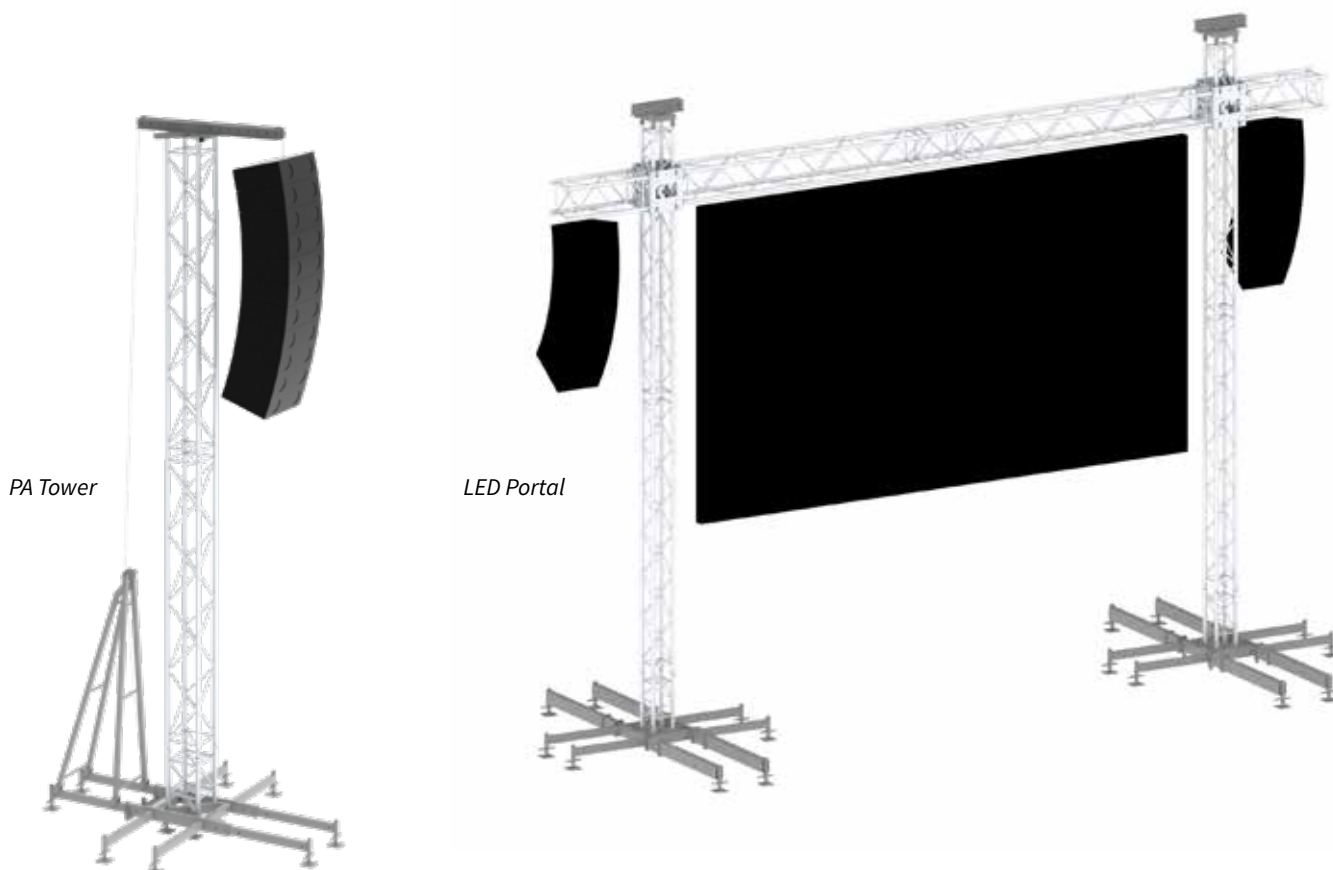


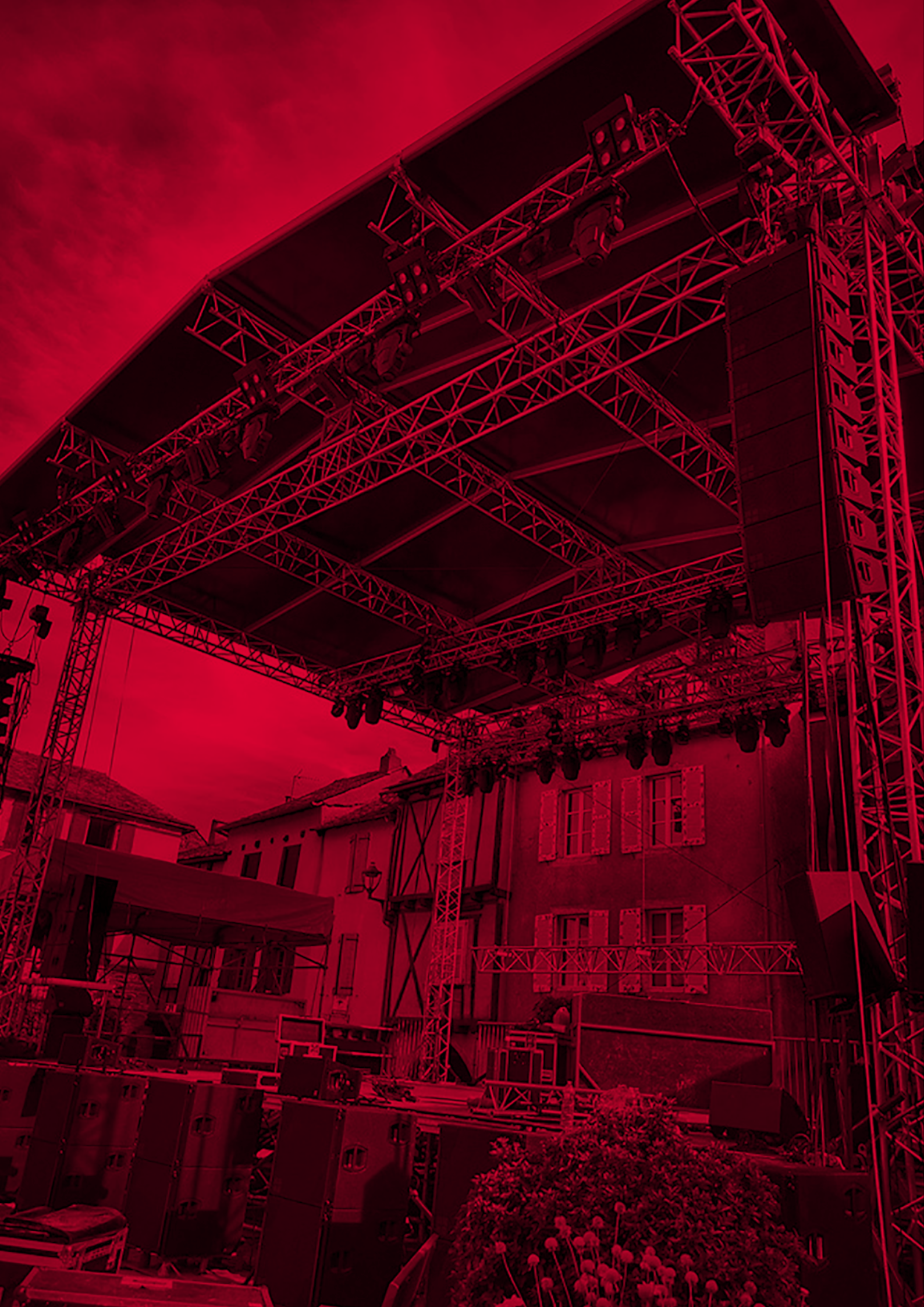


PA Tower	truss type	tower truss	Max. Pay Load	Front dimensions	Side dimensions	Ballast front	Ballast back	Ballast side	Ballast total	Ballast during erection
V1	L52S	10 m	1000 kg	6 m ²	3.4 m ²	-	1000 kg	2 x 1000 kg	3000 kg	2 x 500 kg (side)
V2	L52S	10 m	1000 kg	6 m ²	3.4 m ²	-	400 kg	2 x 1000 kg	2400 kg	2 x 500 kg (side)
V3	L52S	10 m	800 kg	5 m ²	3.4 m ²	-		2 x 1000 kg	2000 kg	2 x 500 kg (side)
V4	L52S	10 m	600 kg	4 m ²	3.4 m ²	-		2 x 900 kg	1800 kg	2 x 500 kg (side)
V5	L52S	10 m	400 kg	3 m ²	2 m ²	-		2 x 400 kg	1600 kg	2 x 500 kg (side)
V6	L35S	8 m	800 kg	3.5 m ²	2 m ²	300 kg	400 kg	-	700 kg	400 kg (back)
V7	M39S / M39TOW	8 m	600 kg	3 m ²	2 m ²	200 kg	400 kg	-	600 kg	400 kg (back)
V8	M29S	6 m	500 kg	3 m ²	2 m ²	200 kg	200 kg	-	400 kg	400 kg (back)
Tech Tower										
V9	L35S / M39S / M39TOW	8 m	4 x 150 kg	4 x 1 m ²	4 x 1 m ²	-	-	2 x 600 kg	1200 kg	
V10	M29S	6.5 m	4 x 150 kg	4 x 1 m ²	4 x 1 m ²	-	-	2 x 400 kg	800 kg	
LED Portal										
								every base		
V11	L52S	8 m incl. corner	LED 2000 kg PA 2 x 600 kg	LED 28 m ² PA 2 x 4 m ²	-	1000 kg	1000 kg	2 x 600 kg	3200 kg	600 kg (back) or 2 x 500 kg side
V12	L35S	7 m incl. corner	LED 1000 kg PA 2 x 600 kg	LED 19.25 m ² PA 2 x 2.5 m ²	-	400 kg	400 kg	2 x 500 kg	2200 kg	600 kg (back) or 2 x 500 kg side
V13	M39TOW / L52S	7 m incl. corner	LED 1000 kg PA 2 x 600 kg	LED 17 m ² PA 2 x 1.5 m ²	-	400 kg	400 kg	2 x 500 kg	2200 kg	600 kg (back) or 2 x 500 kg side

The payload may be subtracted proportionally from the ballast.

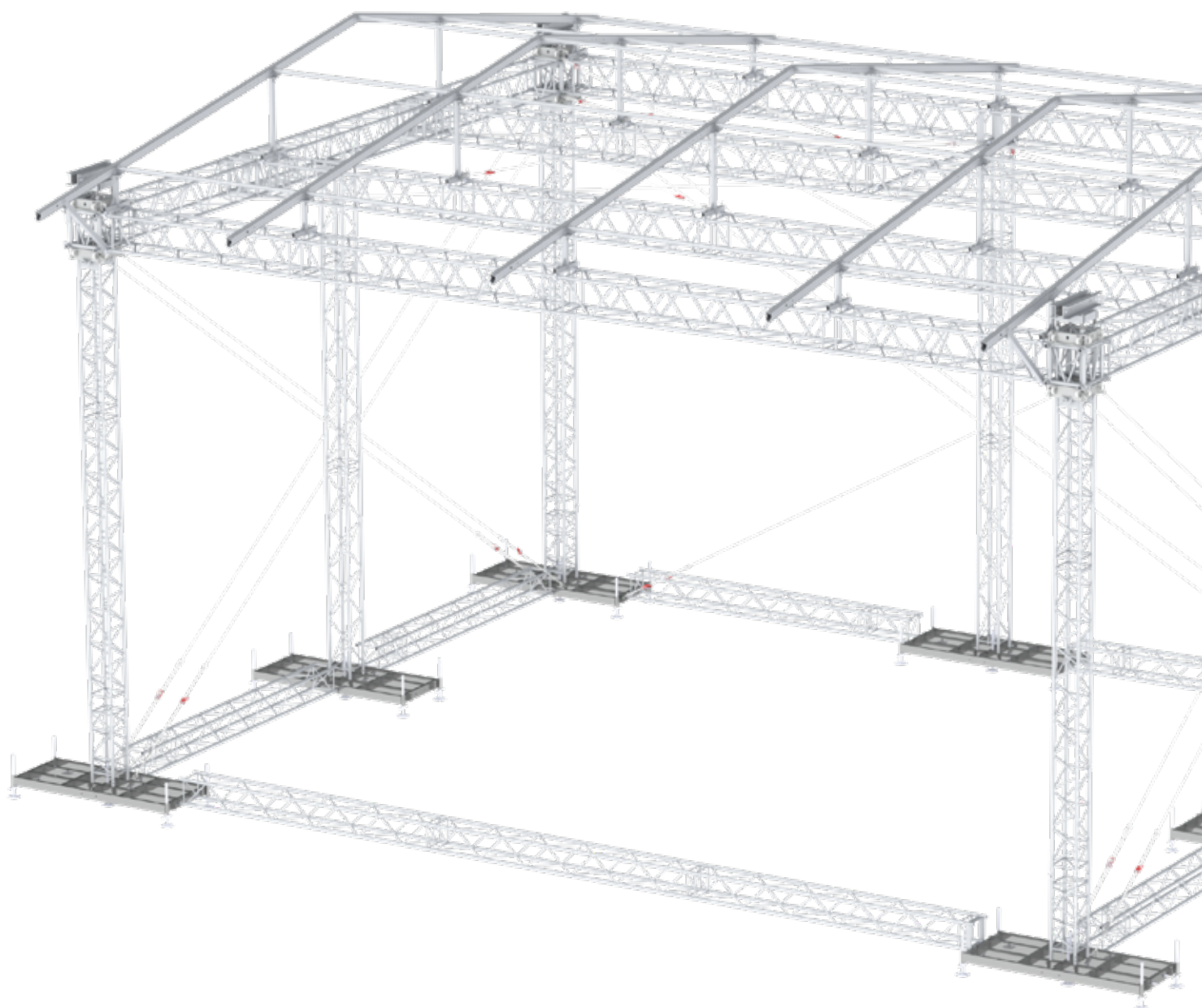
50% of the payload may be subtracted proportionally from the ballast.







Arc Roof 6 x 4	75
Arc Roof 8 x 6	76
Arc Roof 10 x 8	77
Sloping Roof 6 x 4	78
Saddle roof 10 x 8	80
Saddle roof 12 x 10	82
Pitched Roof 14 x 12	84





WHY ARC ROOF?

- Versatile temporary roof structure based on standard trusses
- No obstructing guy wires in sides
- Bespoke corners can be combined with Model M tower sleeve
- Competitively priced
- High loading compared to size
- Easy set-up by hand or material lifts
- Structurally calculated and proven concept
- Full aluminium structure
- Many options for staging or substructure
- Complies with European standards for temporary structures

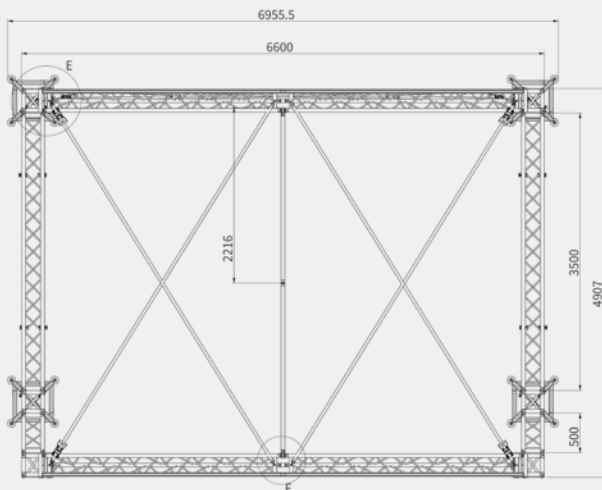
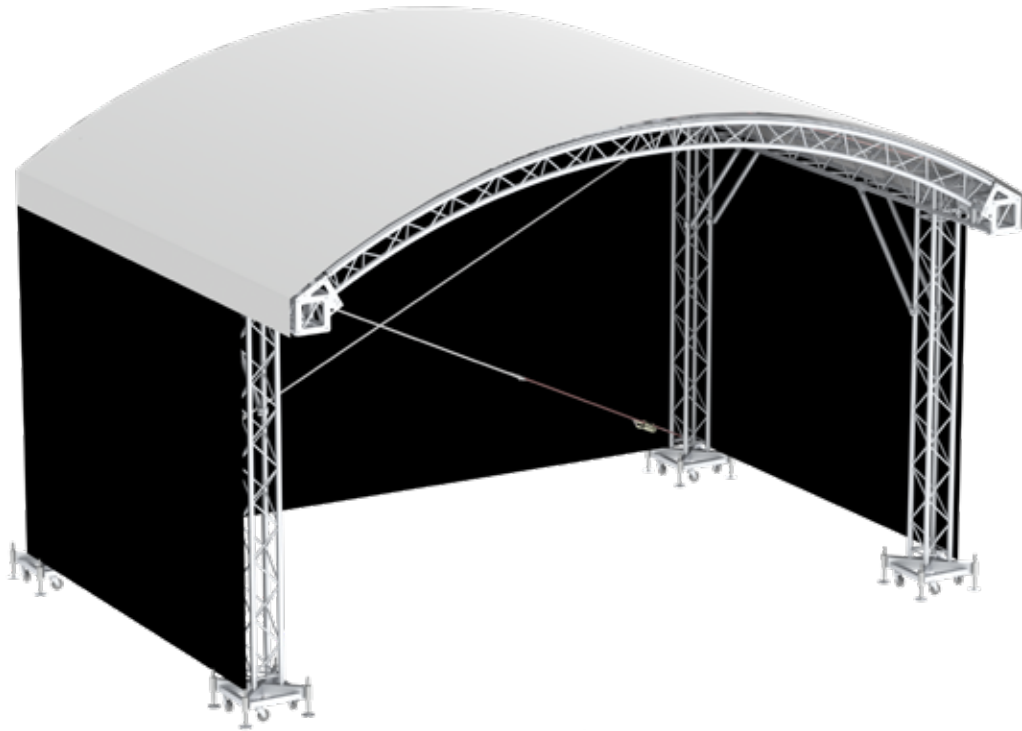
	6 x 4 meter *	8 x 6 meter*	10 x 8 meter*
Loading capacity UDL	2100 kg	2441 kg	2502 kg
Loading capacity front cantilever	2 x 250 kg		
Self weight incl. wall canopies	610 kg	682 kg	1282 kg
Max peak gust wind speed in-service	20 m/s (measured at 10 m height)		
Max peak gust wind speed out-of-service	28 m/s		
Max peak gust wind during erecting	10 m/s		
Ballast	Depends on configuration		
Dimensions structure	See drawings		
Dimensions inside for stage platform	6 x 4 m	8 x 6 m	10 x 8 m
Trusses	M29S / M29T		
Canopy	Standard: grey/ black Optional: transparent Optional: other colors		
Staging	Several options possible like aluminium scaffolding system StageFrame82		
Structural calculations	EN 13814 / Euro codes		
Miscellaneous	<ul style="list-style-type: none"> • Canopies fitted in kedar profile • No guy wires in side walls • Optional side wings • Baubuch on request • Structural calculations per EN 13814 		

* All data is based on calculated set-up. Other options are possible but need to be investigated on a case-by-case basis.

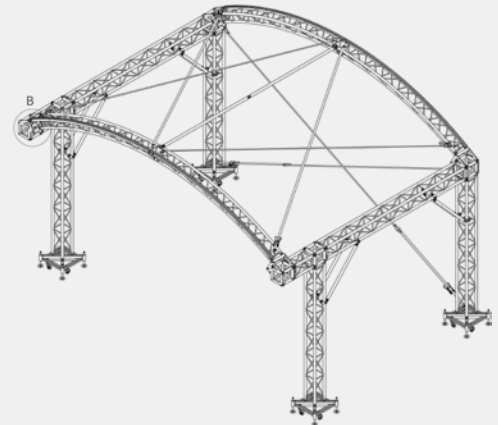


6 x 4 meter

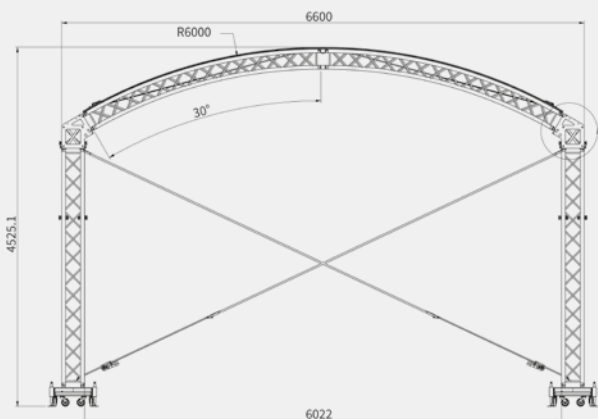
Arc Roof



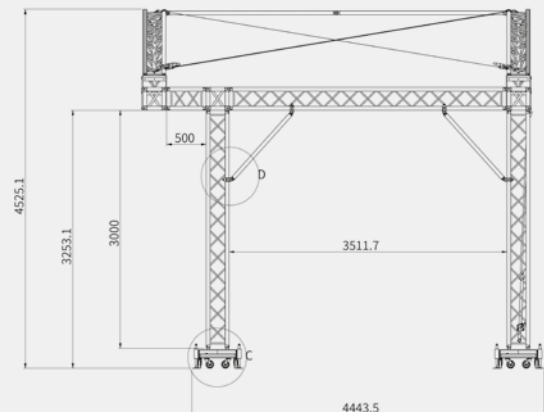
Top view



3D view



Front view



Left view

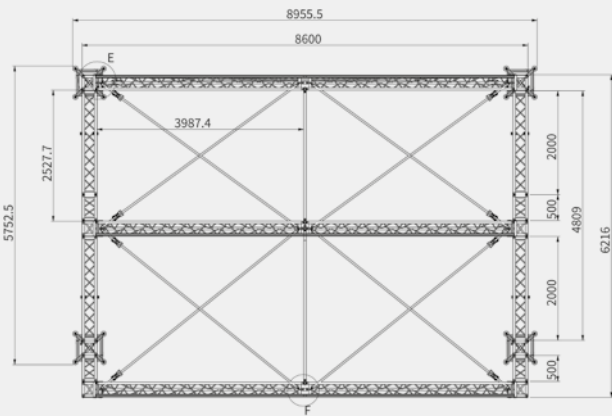
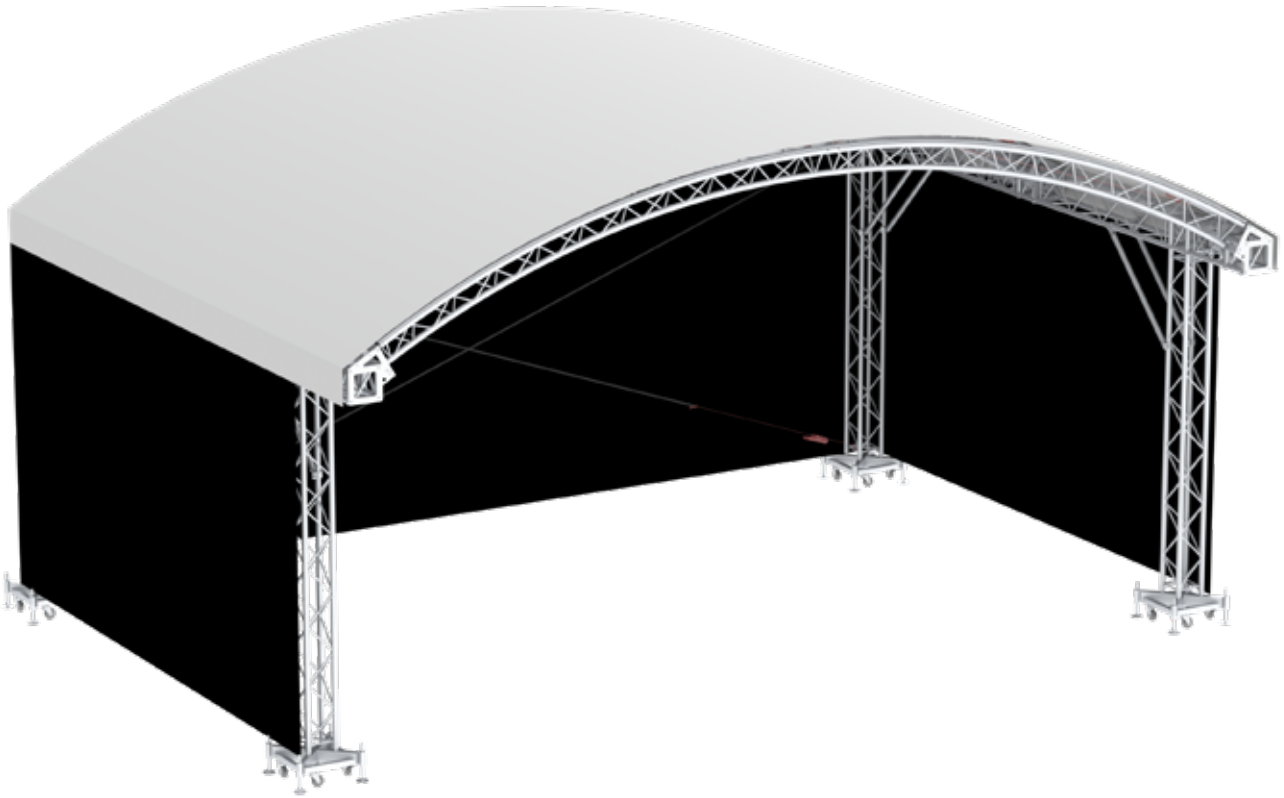
All measurements are in mm



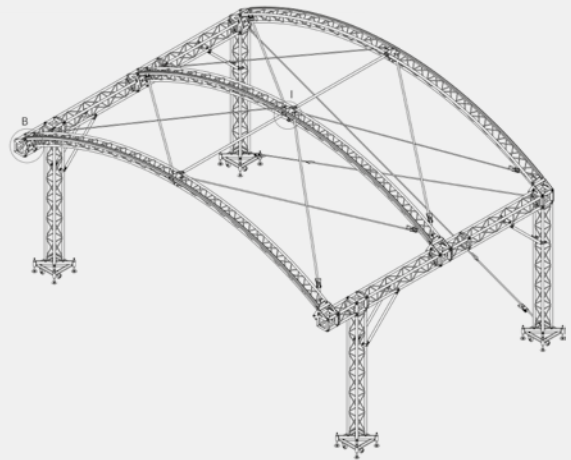
Arc Roof



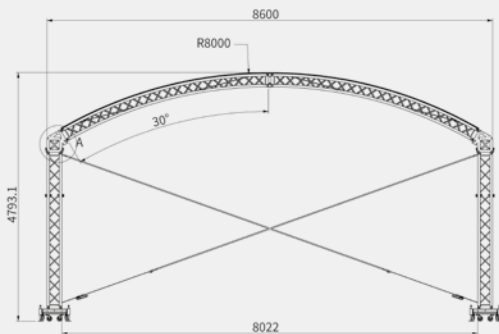
8 x 6 meter



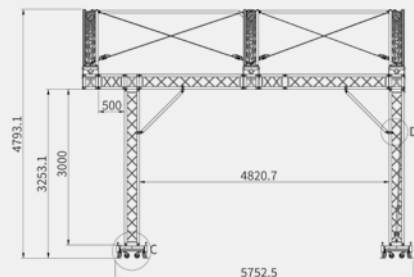
Top view



3D view



Front view

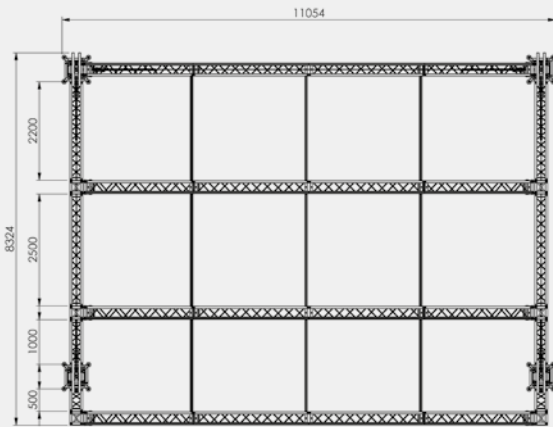
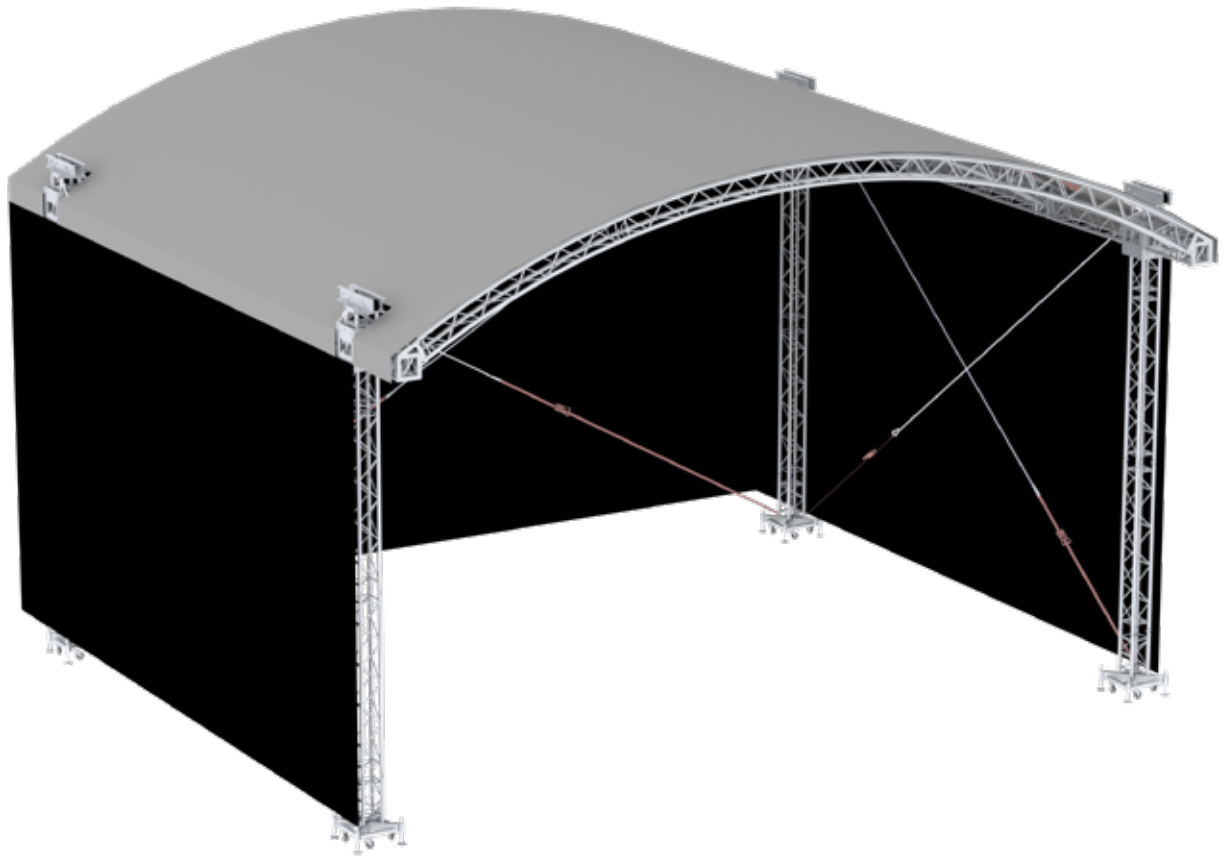


Left view

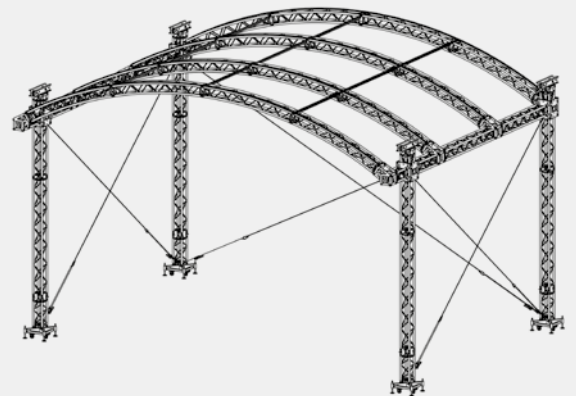


10 x 8 meter

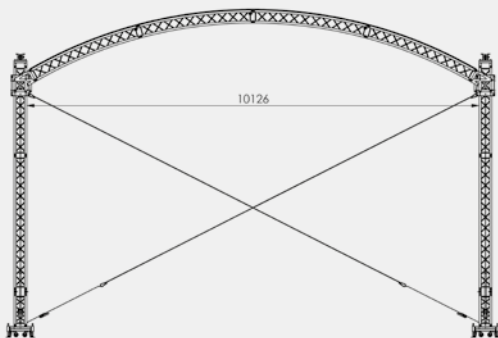
Arc Roof



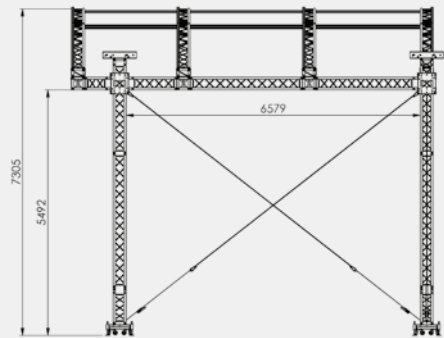
Top view



3D view



Front view



Left view

All measurements are in mm



Sloping Roof



6 x 4 meter

WHY SLOPING ROOF?

- Structural reports for all building sizes available
- No “Baubuch” according German laws required due to building size below 5 m
- Short assembling and disassembling times due to conical coupler system
- Compact size, small transport size
- Maximum safety for audience, technicians and artists, all roof sizes calculated according the latest standards
- Attractive design, allows audience best possible view on the stage

Version

Type	4 x 3	6 x 4	8 x 5
Dimensions structure	4.73 x 3.66 x 4.37	6.73 x 4.63 x 4.63	8.73 x 5.31 x 4.87
Dimensions inside for stage platform	4 x 3	6 x 4	8 x 5

Max. ballast required

Model	per front tower	per back tower
4 x 3	1000 kg (850 kg)	800 kg (600 kg)
6 x 4	1250 kg (1000 kg)	1000 kg (700 kg)
8 x 5	1.450 kg (1.250 kg)	1.150 kg (850 kg)

Figures for a friction coefficient of 0.4 (steel on wood/concrete/gravel/sand)

Figures in brackets for friction coefficient 0.6 (steel on rubber/on wood/on concrete/gravel/sand)

Permanent loads can be calculated as ballast partially

Pay loads for all sizes

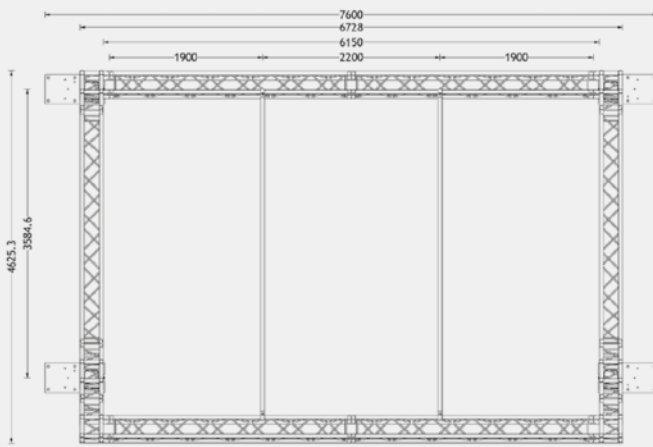
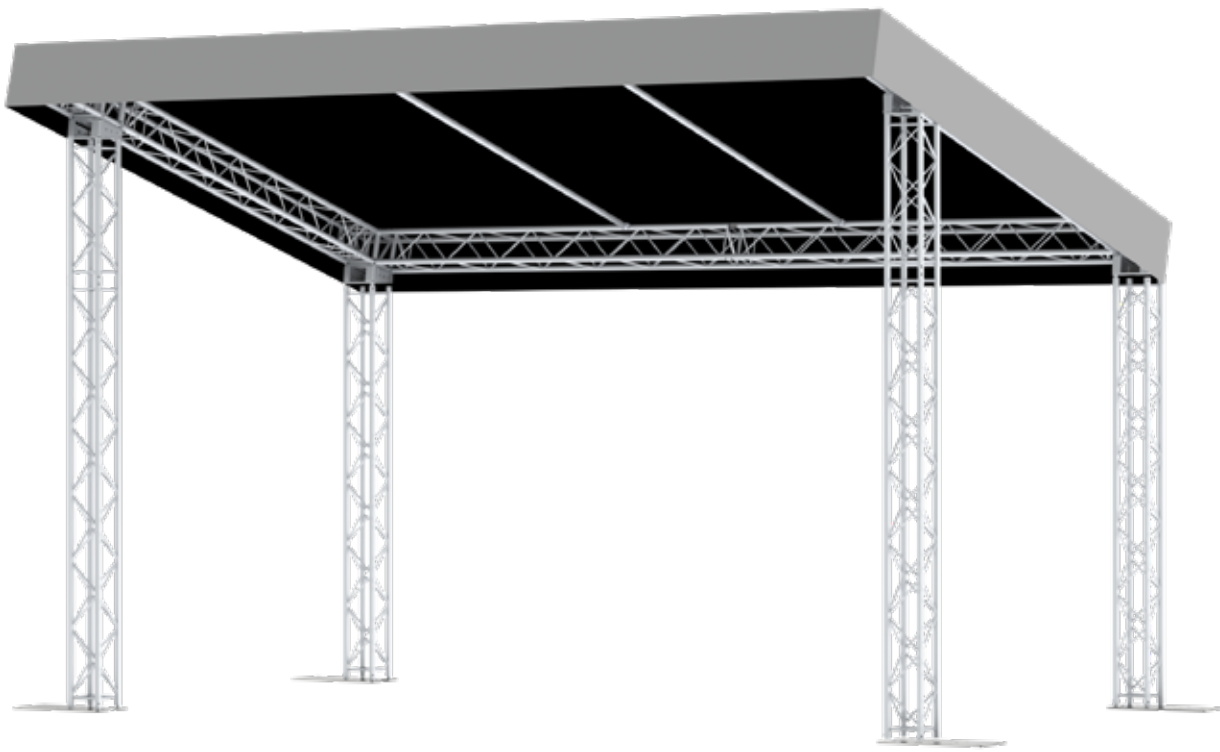
Loading type	Back truss	Front truss	Middle truss*
Uniformly distributed load	30 kg/m	30 kg/m	30 kg/m
Central single load	125 kg	125 kg	125 kg
Single load third points	90 kg	90 kg	90 kg
Single load fourth points	60 kg	60 kg	60 kg

* only building size 8 x 5

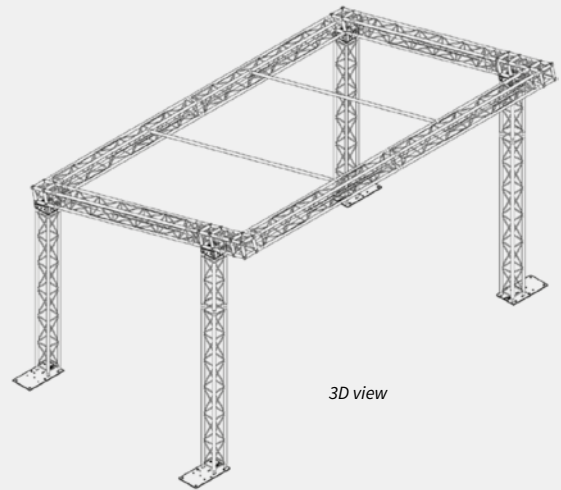


6 x 4 meter

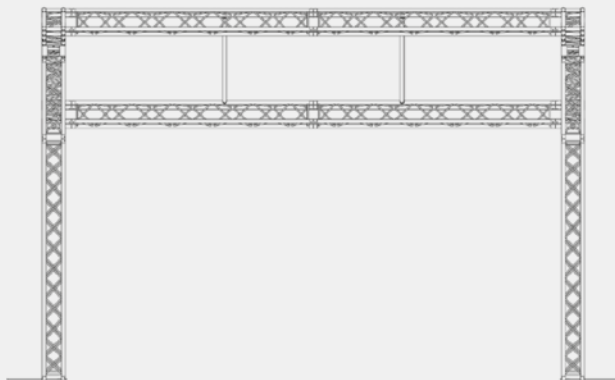
Sloping Roof



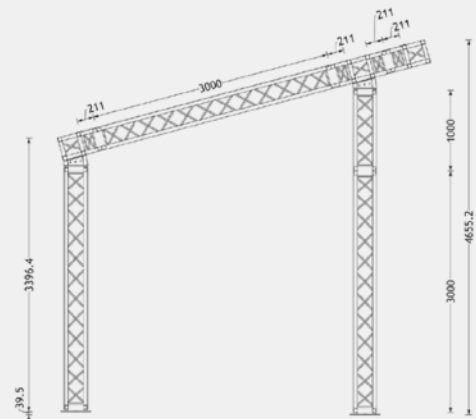
Top view



3D view



Front view



Left view

All measurements are in mm

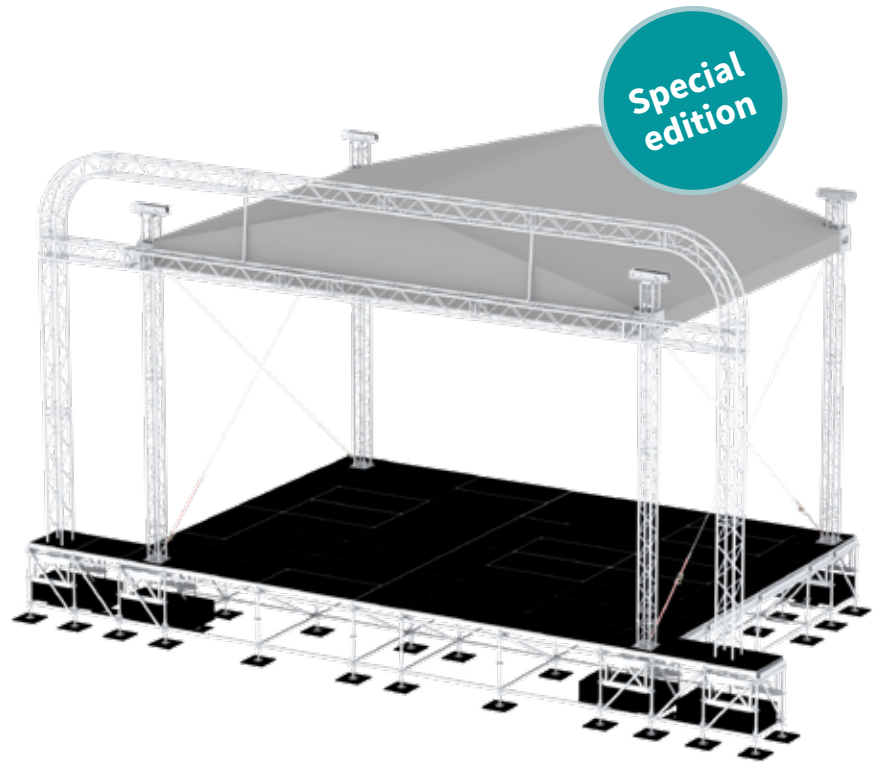


Saddle Roof

10 x 8 meter

WHY SADDLE ROOF?

- Use of boxcorners instead of bespoke corners
- Gable rafter connection form-fit instead of clamps. This is much safer
- Gable rafter connection allows much faster set-up
- Pinned deadhang system to save time during set up
- Less lateral compression braces between rafters required due to use of M39S gable rafters



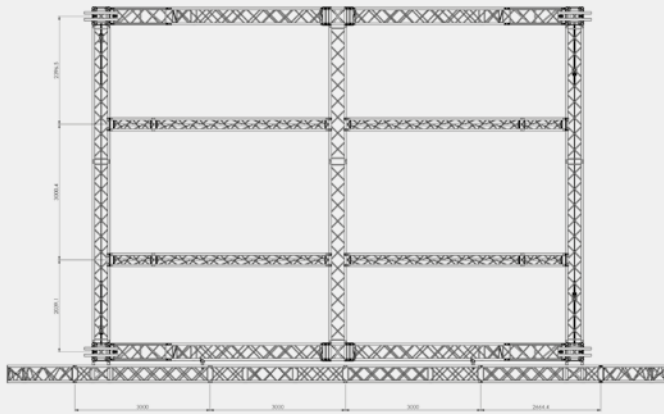
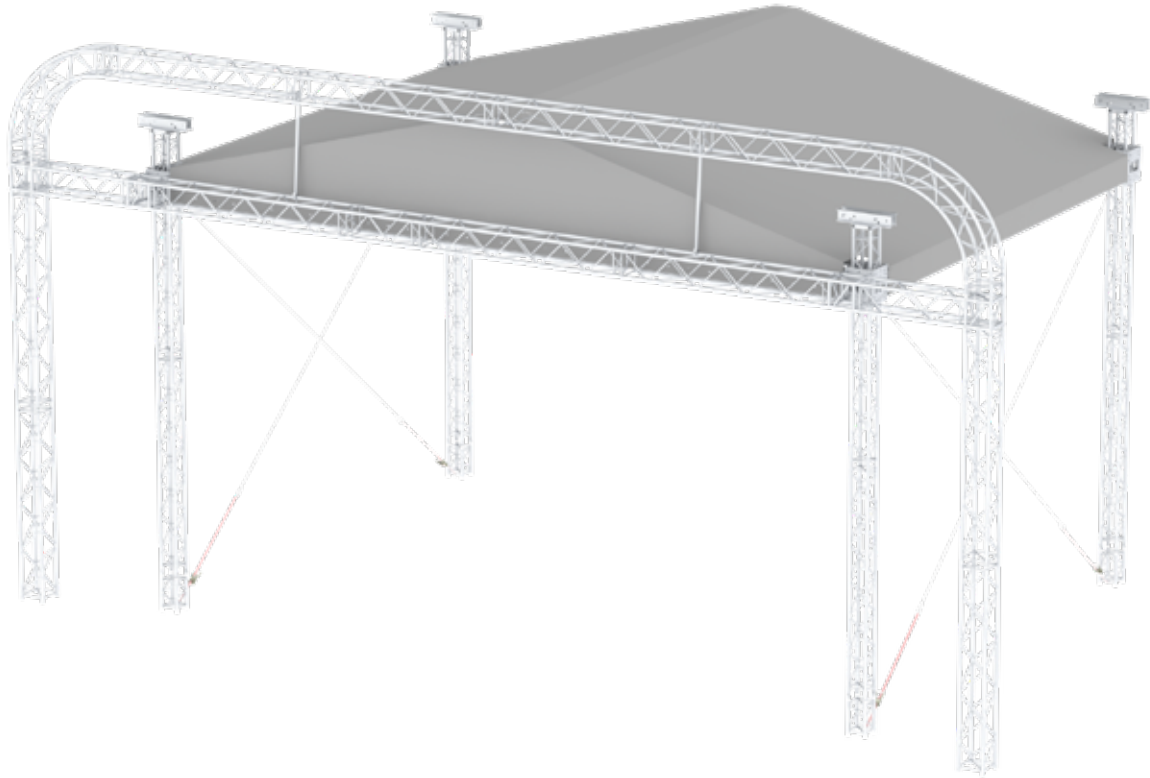
Loading capacity UDL	4482 kg
Loading capacity misc point loads	Depends on configuration
Loading capacity cantilever	2182 kg
Self weight incl. wall canopies	1000 kg (4.5 m ²)
Max peak gust wind speed in-service	20 m/s (measured at 10 m height)
Max peak gust wind speed out-of-service	28 m/s
Max peak gust wind during erecting	14 m/s
Ballast	Depends on configuration. Bespoke ballast bases / layher integration available
Dimensions structure	W10.90 x D7.83 x H9.10*
Dimensions inside for stage platform	10 x 7 m
Trusses	M39S / M29S / M29T
Canopy	Standard: grey / black Optional: transparent / other colours
Staging	Several options possible like aluminium scaffolding system StageFrame82
Structural calculations	DIN-EN 13814 / Euro codes
Miscellaneous	<ul style="list-style-type: none"> • Form fit connection between rafter and grid truss • Use of box corners. No bespoke corners • Auto-release system for wall canopies • Optional side wings • Ground ring or stage intergration for reducing ballast • Intermediate support towers for increased loading • Baubuch on request • M39S gable side rafters to minimise the use of compression braces • Increased set up times due to lack of clamp connections

* All data is based on calculated set-up. Other options are possible but need to be investigated on a case-by-case basis.

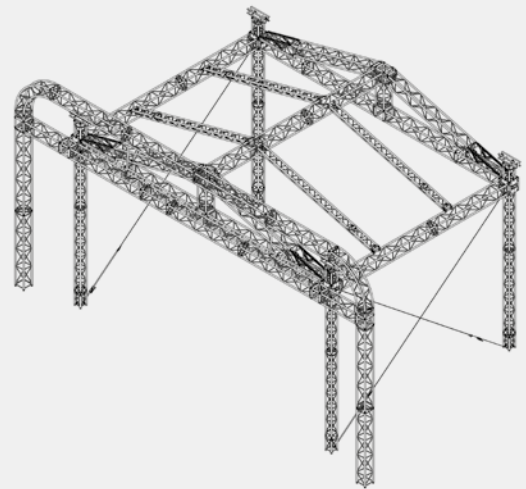


10 x 8 meter

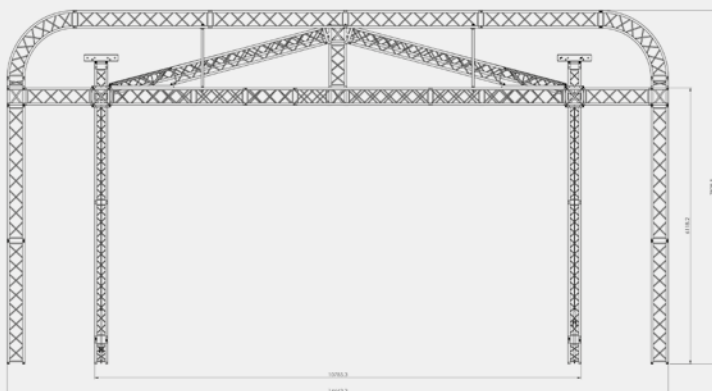
Saddle Roof



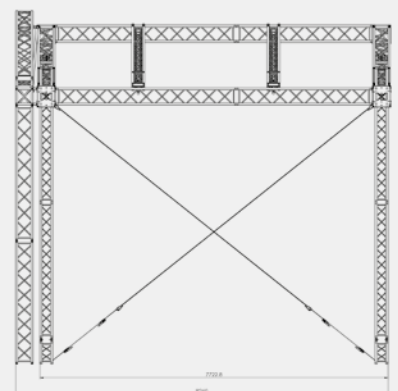
Top view



3D view



Front view



Left view

All measurements are in mm



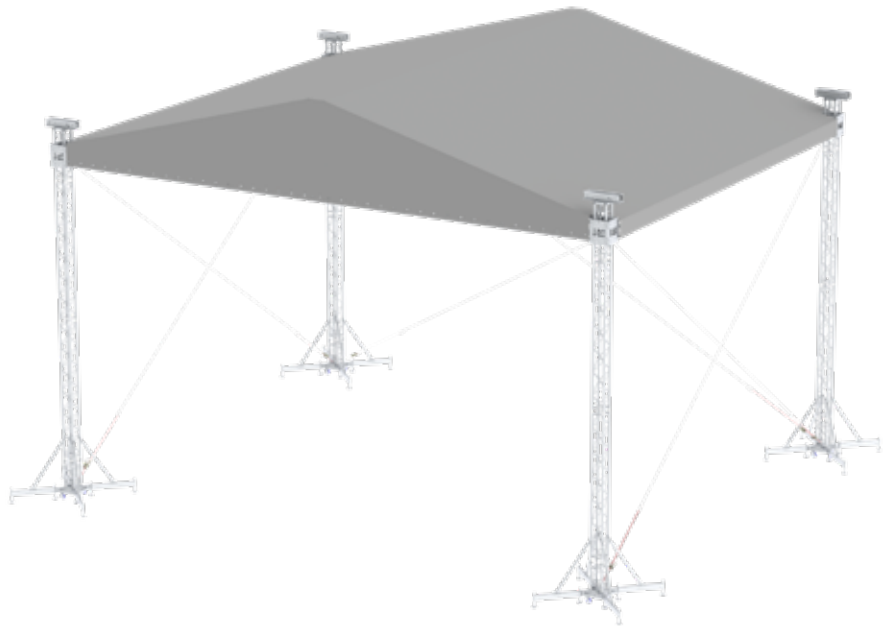
Saddle Roof



12 x 10 meter

WHY SADDLE ROOF?

- Use of boxcorners instead of bespoke corners
- Gable rafter connection form-fit instead of clamps. This is much safer
- Gable rafter connection allows much faster set-up
- Pinned deadhang system to save time during set up
- Less lateral compression braces between rafters required due to use of M39S gable rafters



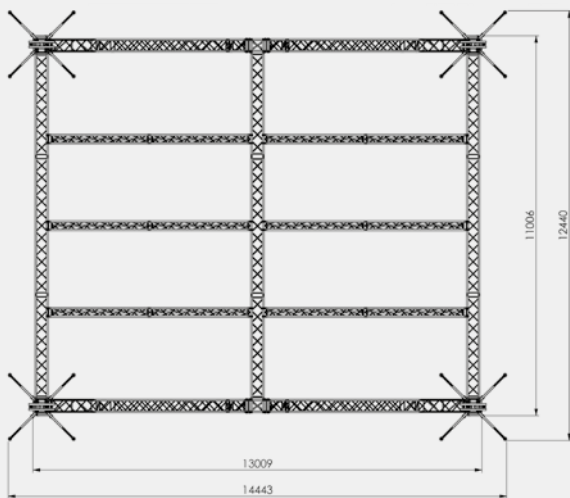
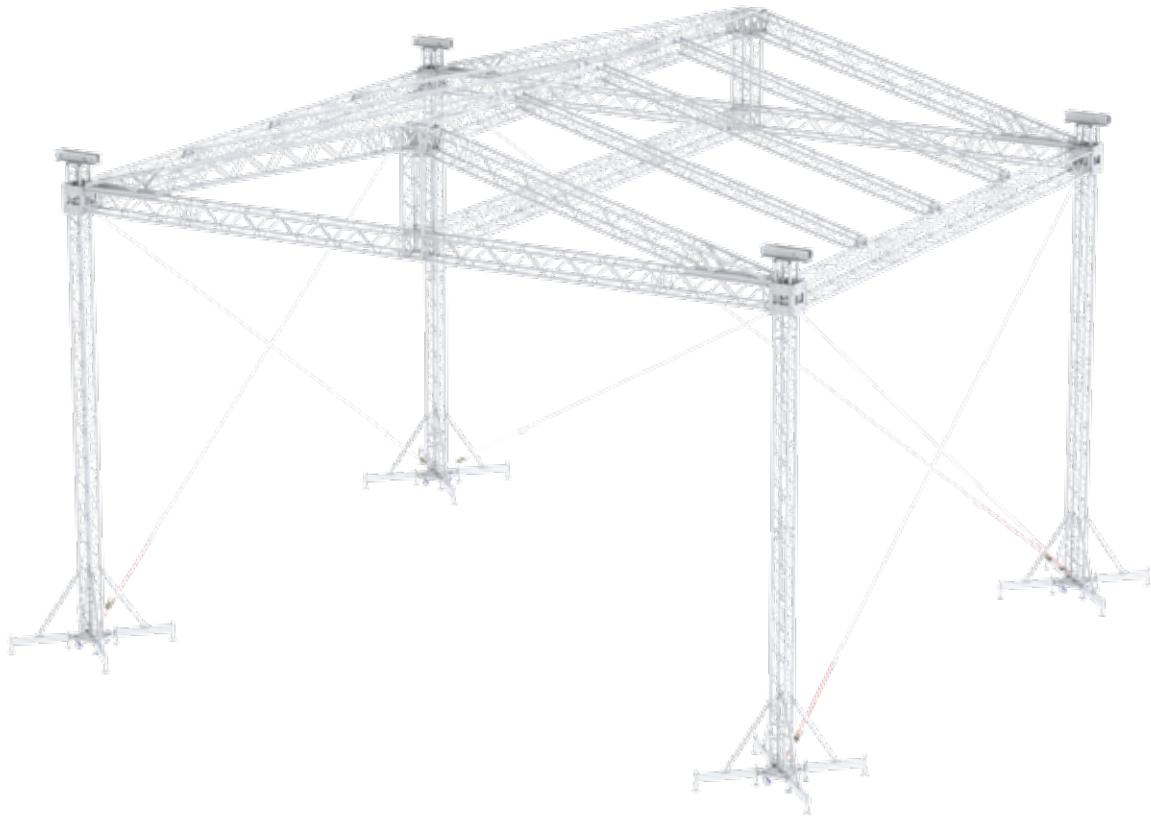
Loading capacity UDL	3982 kg
Loading capacity misc point loads	Depends on configuration
Loading capacity cantilever	2482 kg
Self weight incl. wall canopies	1000 kg (4.5 m ²)
Max peak gust wind speed in-service	20 m/s (measured at 10 m height)
Max peak gust wind speed out-of-service	28 m/s
Max peak gust wind during erecting	14 m/s
Ballast	Depends on configuration. Bespoke ballast bases / layher intergration available
Dimensions structure	W12.90 x D10.83 x H9.42*
Dimensions inside for stage platform	12x10 m
Trusses	M39S / M29S / M29T
Canopy	Standard: grey / black
	Optional: transparent / other colours
Staging	Several options possible like aluminium scaffolding system Subframe B
Structural calculations	DIN-EN 13814 / Euro codes
Miscellaneous	<ul style="list-style-type: none"> • Form fit connection between rafter and grid truss • Use of box corners. No bespoke corners • Auto-release system for wall canopies • Optional side wings • Ground ring or stage intergration for reducing ballast • Intermediate support towers for increased loading • Baubuch on request • M39S gable side rafters to minimise the use of compression braces • Increased set up times due to lack of clamp connections

* All data is based on calculated set-up. Other options are possible but need to be investigated on a case-by-case basis.

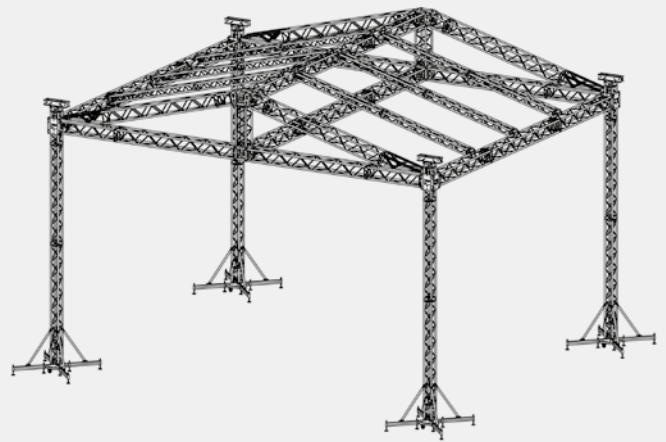


12 x 10 meter

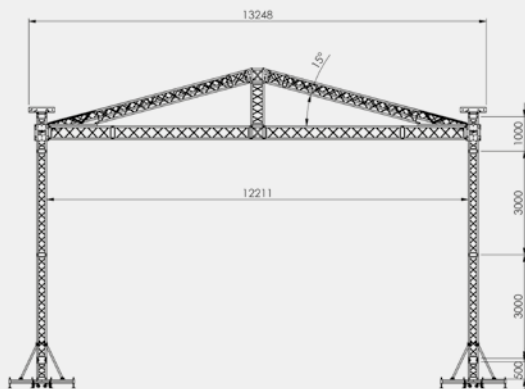
Saddle Roof



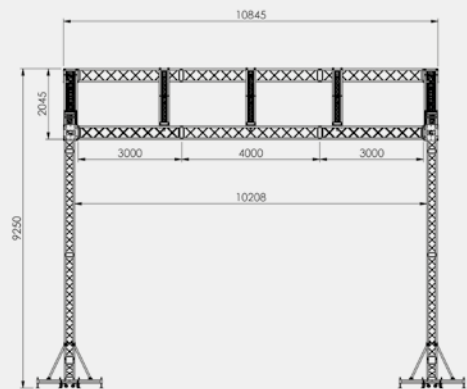
Top view



3D view



Front view



Left view

All measurements are in mm



Pitched Roof



14 x 12 meter



WHY PITCHED ROOF?

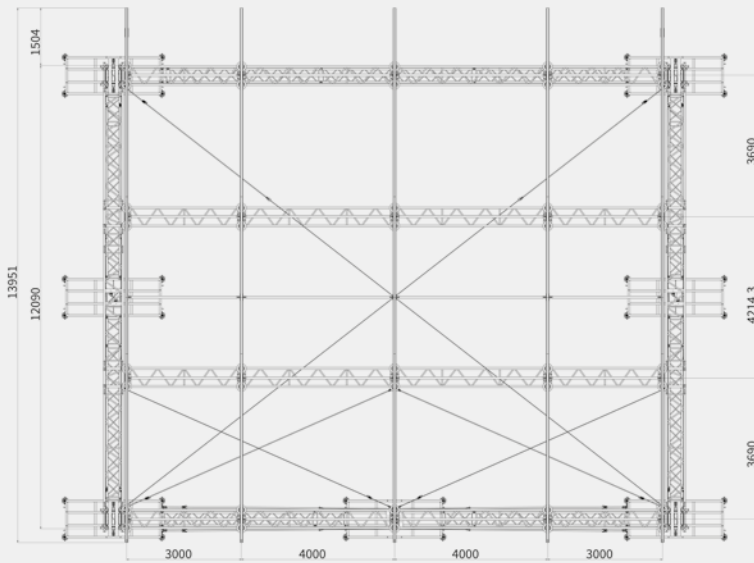
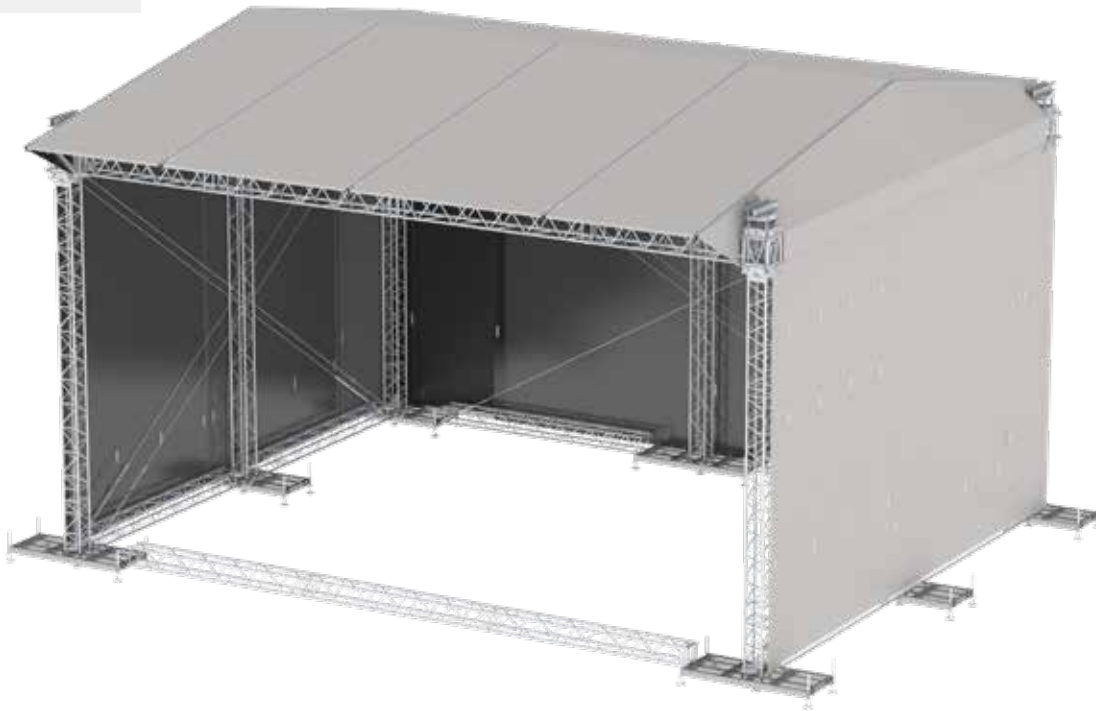
- Hurricane proof design (max 40 m/s)
- Canopies sit in kedar profiles for ease of build
- Auto-release system for wall canopies
- Ground ring for reduced ballast
- Bespoke tower bases for correct integration of ballast
- High load capacity
- Full aluminium structure
- Many options for staging or substructure
- Complies with European standards for temporary structures

Loading capacity UDL	5645 kg
Loading capacity misc point loads	7000 kg
Loading capacity front cantilever beams	2 x 500 kg
Self weight incl. wall canopies	3197 kg
Max peak gust wind speed in-service	20 m/s (measured at 10 m height)
Max peak gust wind speed out-of-service	28 m/s - 40 m/s
Max peak gust wind during erecting	14 m/s
Ballast	Depends on configuration Bespoke ballast bases
Dimensions structure	W15.08 x D13.96 x H9.93
Dimensions inside for stage platform	14 x 12 m
Trusses	M39S / M39TOW / L52S
Canopy	Standard: grey / black Optional: transparent
Staging	Several options possible like aluminium scaffolding system StageFrame82
Structural calculations	EN 13814 / Euro codes
Miscellaneous	<ul style="list-style-type: none"> • Canopies fitted in kedar profile • Auto-release system for wall canopies • Optional side wings • Ground ring for reducing ballast • Intermediate support towers for increased loading • Baubuch on request • Structural calculations per DIN-EN-13814

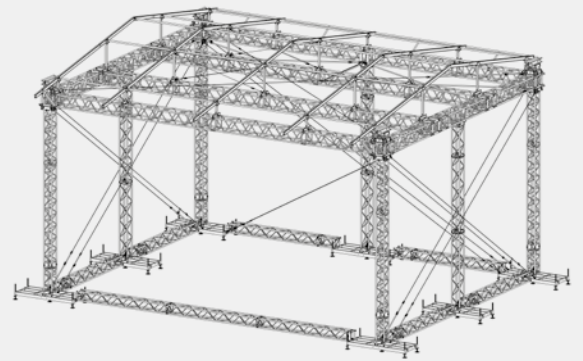
* All data is based on calculated set-up. Other options are possible but need to be investigated on a case-by-case basis.



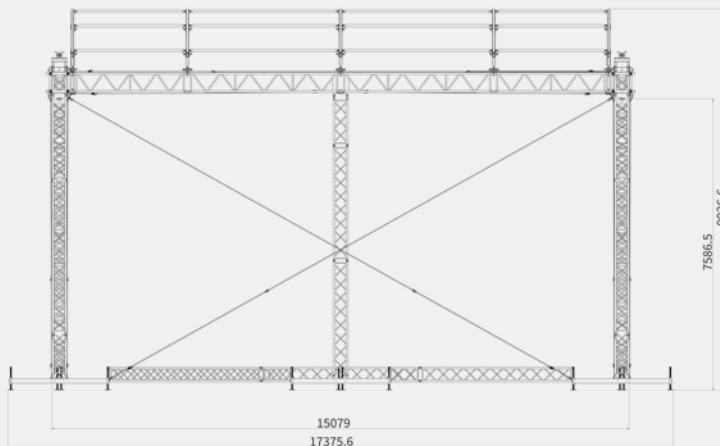
14 x 12 meter



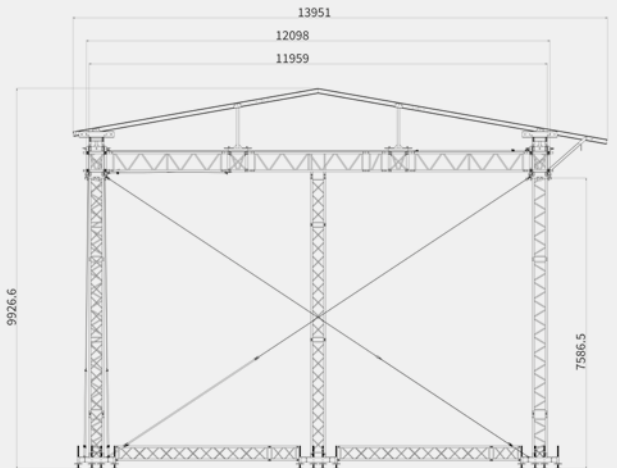
Top view



3D view



Front view



Right view

All measurements are in mm

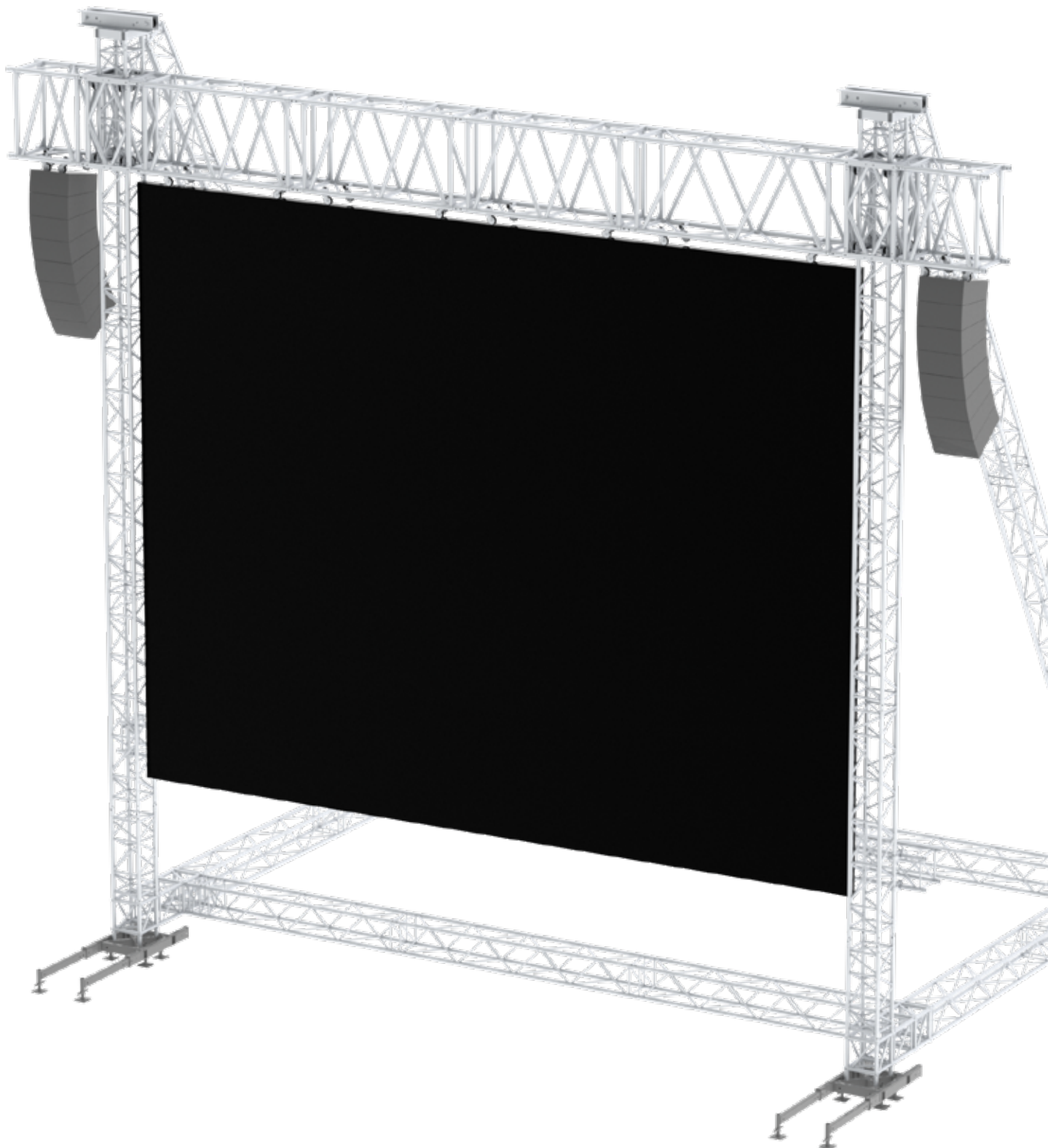


LED Screen Support



LED Screen Support 6 x 4 88

LED Screen Support 8 x 6 90





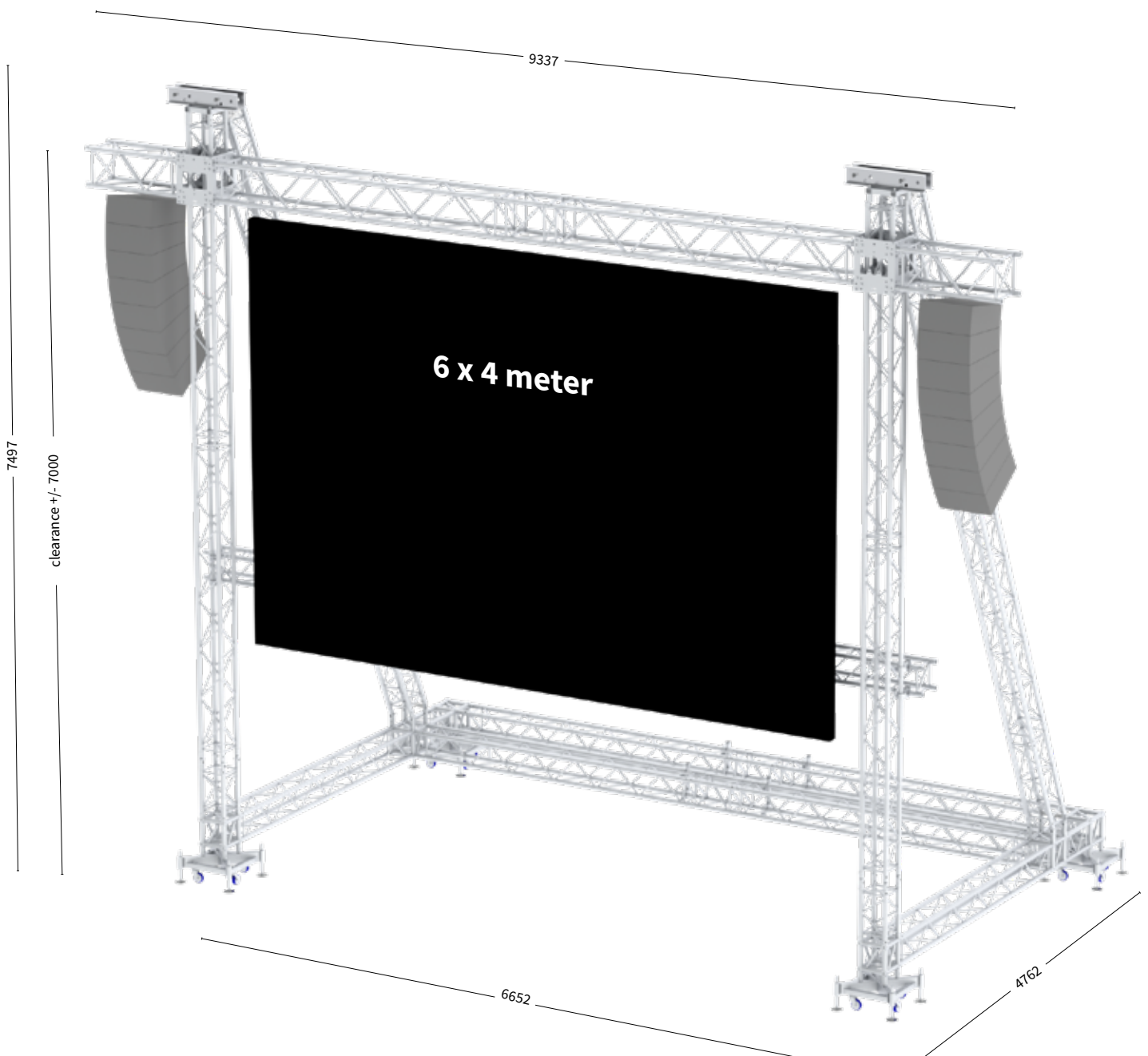
LED Screen Support



6 x 4 meter

WHY LED SCREEN SUPPORT?

- Versatile LED Screen Support structure based on standard trusses
- Easy set-up due to fixed base structure
- Structurally calculated and proven concept
- Full aluminium structure
- Use of multibase for easy positioning of ballast
- Rafters can be lifted together with erection of tower to save assembly time
- Bespoke head section with integrated brace connection for fast set up and less bespoke parts
- Possibility to deadhang at ground level which eliminates the need to climb the towers



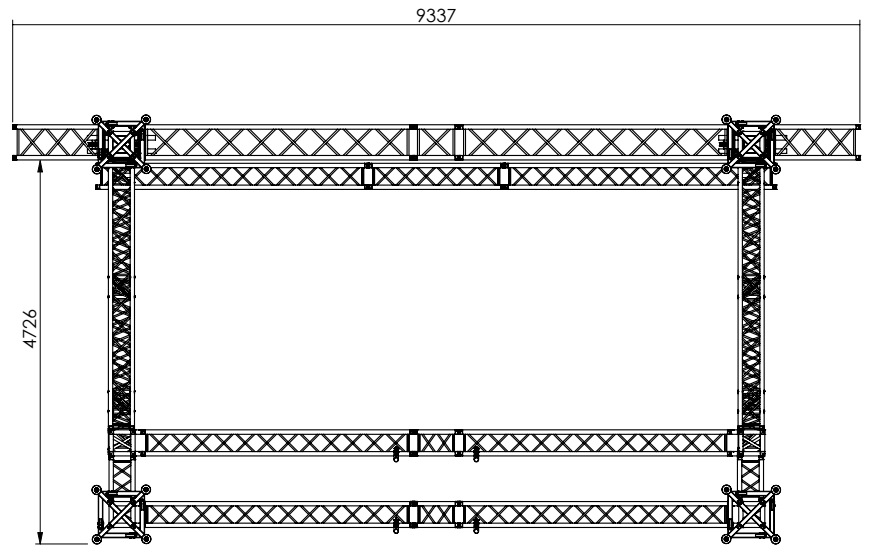


6 x 4 meter

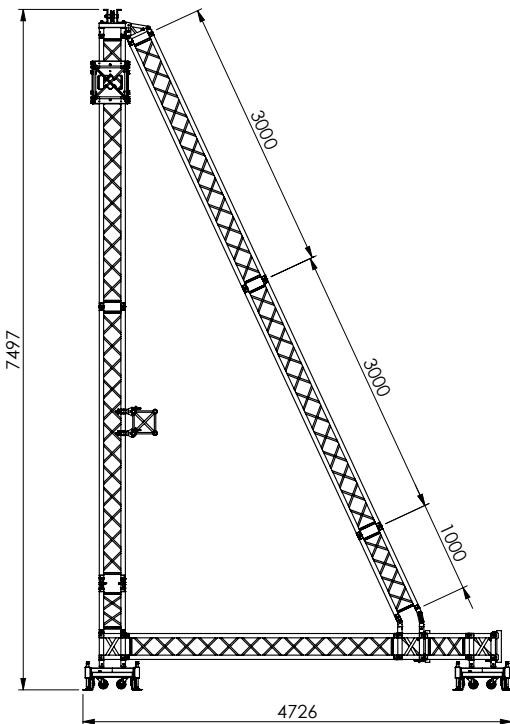


Max screen size	6 x 4 meter
Max PA size front	1.5 m ²
Max screen weight	1500 kg
Max PA weight	2 x 250 kg
Max peak gust wind speed in-service	20 m/s (measured at 10 m height)
Max peak gust wind speed out-of-service	27 m/s
Max peak gust during lifting	8 m/s
Ballast (if screen weight is 1500kg)	2 x 900 kg
Dimensions	See drawing
Trusses	M29S / M29T / M39S

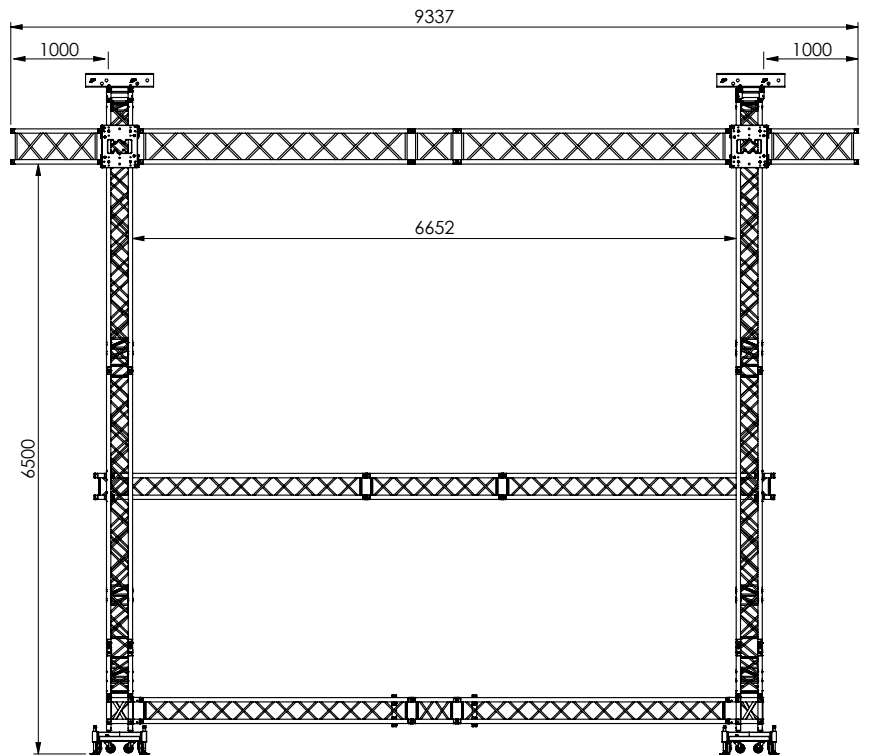
- * Above data based on calculated set-up. Other options are possible but need to be investigated on a case-by-case basis.
- * Calculations per DIN-EN13814:2013 for WS 1-2 in-land in Germany.
- * Baubuch on request.



Top view



Left view



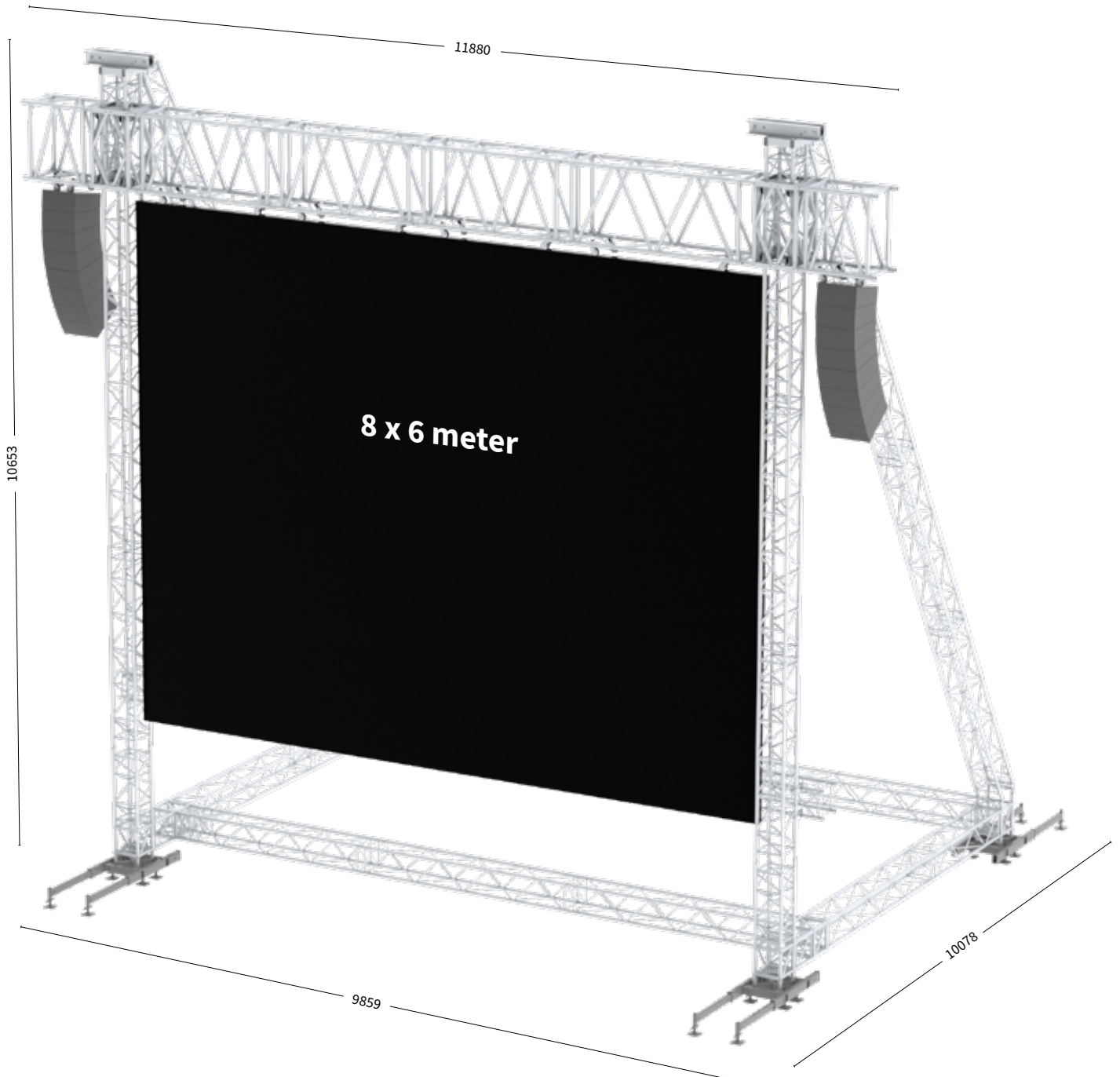
front view



LED Screen Support



8 x 6 meter



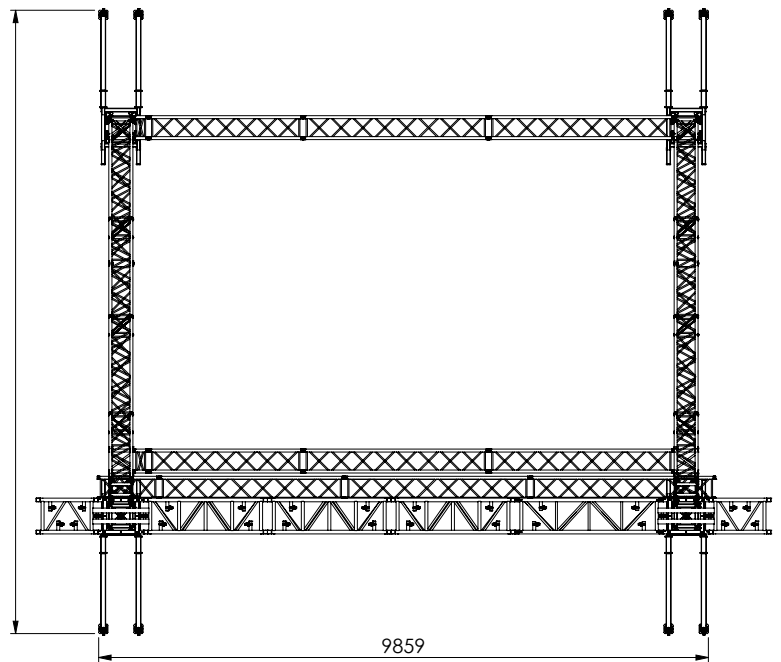


8 x 6 meter

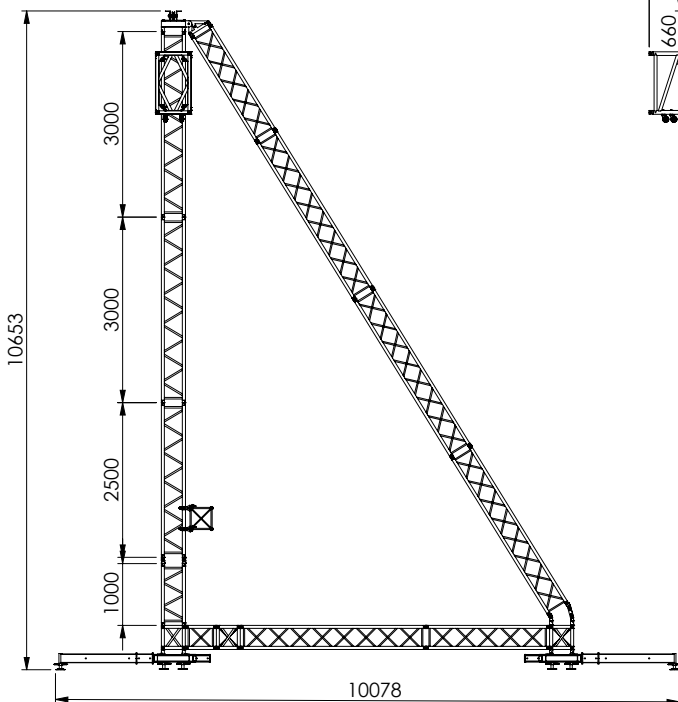


Max screen size	8 x 6 meter
Max PA size front	2.5 m ²
Max screen weight	3000 kg
Max PA weight	2 x 500 kg
Max peak gust wind speed in-service	20 m/s (measured at 10 m height)
Max peak gust wind speed out-of-service	27 m/s
Max peak gust during lifting	8 m/s
Ballast (if screen weight is 1500kg)	2 x 1000 kg and 2 x 300 kg
Dimensions	See drawing
Trusses	M39TOW / M39S / XL101

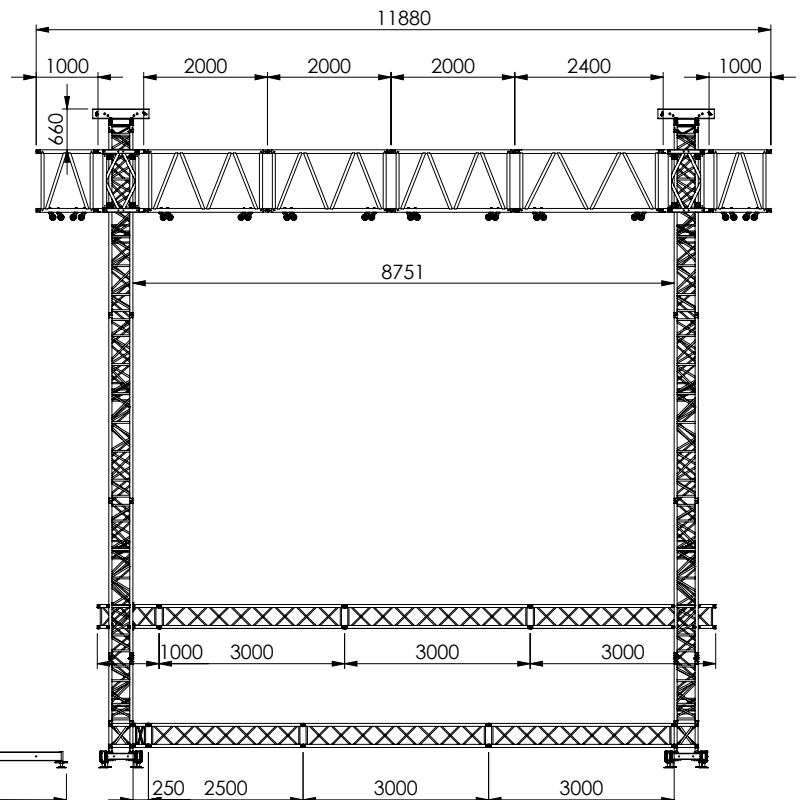
- * Above data based on calculated set-up. Other options are possible but need to be investigated on a case-by-case basis.
- * Calculations per DIN-EN13814:2013 for WS 1-2 in-land in Germany.
- * Baubuch on request.



Top view



Right view



Back view





STAGE82	94
LITE82	99
Stage Legs	101
Subframes	102
Stage Accessories	105
Stairs Adjustable	106
Stairs Modular	107
Stage Railing	108
Skirting	109





STAGE82



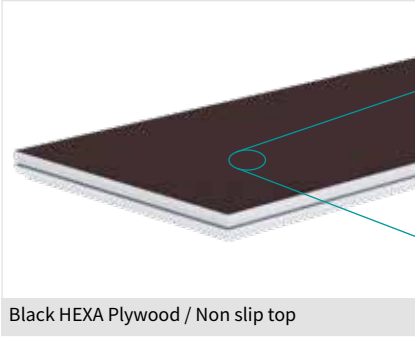
Birch Plywood / Unfinished



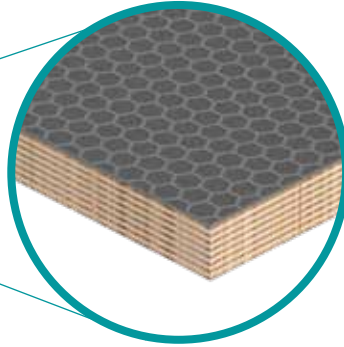
Birch Plywood / Black



Plexi Glass



Black HEXA Plywood / Non slip top





WHY STAGE82 MODEL M?

- Sealed gap between wood and extrusion to avoid water intrusion
- Screwed top plate
- Frame design facilitates much easier handling and pick up by hand
- Scaffolding event beam compatible
- Compatible with existing brands
- Double painted plywood topping
- Easy repair as completely bolted



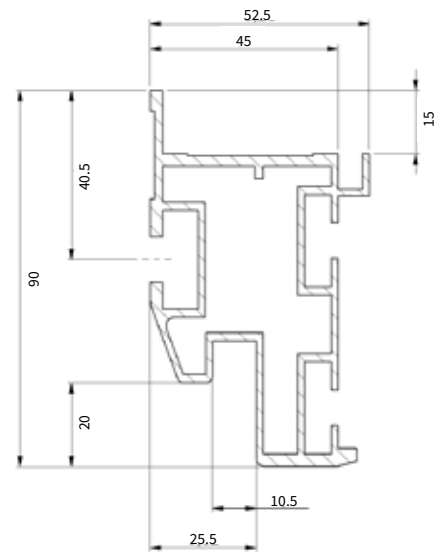
Leg Pocket closed



Leg Pocket open



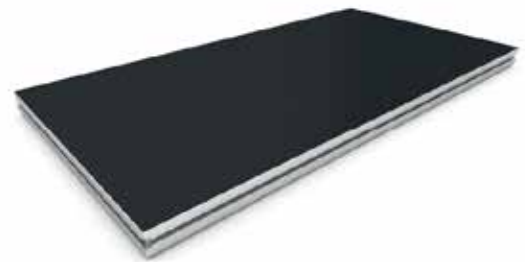
Easy grip profile



- 750 kg/m²
- Lateral loading 10%
- Plywood 15 mm
- 36 kg (2 x 1 m)
- ((RFID))
READY

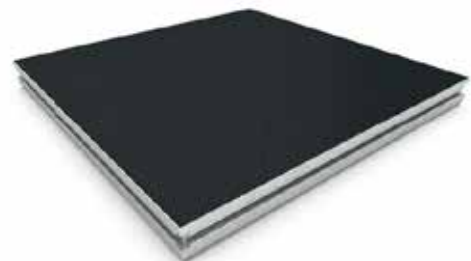
Rectangular 200 x 100 cm

Product	Code	Weight
Black HEXA Plywood / Non slip top	310001	35.68 kg
Birch Plywood / Black	311001	35.68 kg
Birch Plywood / Unfinished	312001	35.68 kg



Rectangular 100 x 100 cm

Product	Code	Weight
Black HEXA Plywood / Non slip top	310002	21.7 kg
Birch Plywood / Black	311002	21.7 kg
Birch Plywood / Unfinished	312002	21.7 kg



Rectangular 200 x 50 cm

Product	Code	Weight
Black HEXA Plywood / Non slip top	310003	21.17 kg
Birch Plywood / Black	311003	21.17 kg
Birch Plywood / Unfinished	312003	21.17 kg





STAGE82 Model M

Triangular 200 x 100 cm left

Product	Code	Weight
Black HEXA Plywood / Non slip top	310005	20.7 kg
Birch Plywood / Black	311005	20.7 kg
Birch Plywood / Unfinished	312005	20.7 kg



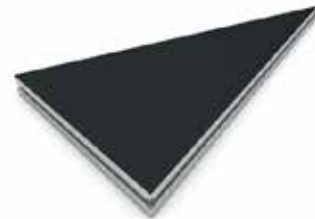
Triangular 200 x 100 cm right

Product	Code	Weight
Black HEXA Plywood / Non slip top	310006	20.7 kg
Birch Plywood / Black	311006	20.7 kg
Birch Plywood / Unfinished	312006	20.7 kg



Triangular 100 x 100 cm

Product	Code	Weight
Black HEXA Plywood / Non slip top	310007	13 kg
Birch Plywood / Black	311007	13 kg
Birch Plywood / Unfinished	312007	13 kg



Circle 200 cm 90°

Product	Code	Weight
Black HEXA Plywood / Non slip top	310015	15 kg
Birch Plywood / Black	311029	15 kg
Birch Plywood / Unfinished	312016	15 kg



Circle 400 cm 45°

Product	Code	Weight
Black HEXA Plywood / Non slip top	310016	17 kg
Birch Plywood / Black	311030	17 kg
Birch Plywood / Unfinished	312017	17 kg



Circle 600 cm 22.5°

Product	Code	Weight
Black HEXA Plywood / Non slip top	310017	19 kg
Birch Plywood / Black	311031	19 kg
Birch Plywood / Unfinished	312018	19 kg





- Staging Modules must be used within the limits of the structural reposit
- Loading figures mentioned are only valid for static loads
- Self-weight is already taken into account

Maximum uniformly distributed load

Check alloy when legs are not purchased at SIXTY82

Podium height	80 cm (40 / 60 cm)	100 cm	120 cm	140 cm	160 cm
Tube 48.3 x 3 mm EN AW 6082 T6	750 kg/m ²	500 kg/m ²	500 kg/m ²	350 kg/m ²	350 kg/m ²

Maximum point load

LC1 = 2 x 150 kg at a distance of minimum 500 mm at any place

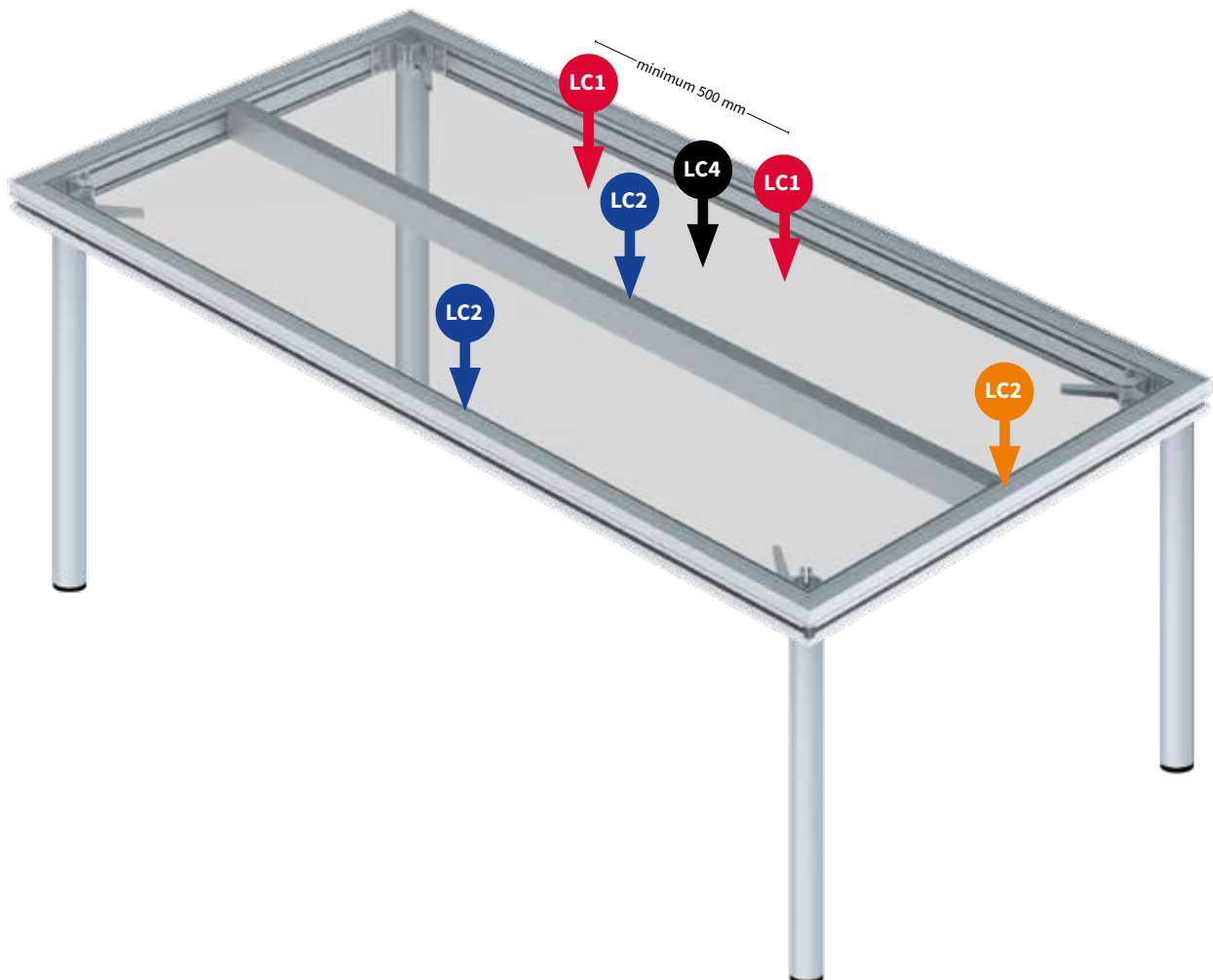
LC2 = 350 kg single point load above each of the 200 cm sides or middle beam

LC3 = 500 kg in the middle of the 100 cm sides

LC4 = 210 kg in the middle of an unsupported woodplate

Point loads need to have a 50 x 50 mm bearing surface minimum.

Total loading shall not exceed 1500 kg.







Rectangular

Product	Code	Weight
8 x 4 ft (244 x 122 cm)	325001	54 kg
8 x 2 ft (244 x 61 cm)	325002	33 kg
6 x 4 ft (183 x 122 cm)	325003	40 kg
4 x 2 ft (122 x 61 cm)	325005	18 kg
8 x 4 ft toplock (244 x 122 cm)	326001	55 kg
8 x 2 ft toplock (244 x 61 cm)	326002	34 kg
6 x 4 ft toplock (183 x 122 cm)	326003	41 kg
4 x 2 ft toplock (122 x 61 cm)	326005	18.5 kg

Square

Product	Code	Weight
4 x 4 ft (122 x 122 cm)	325004	33 kg
4 x 4 ft toplock (122 x 122 cm)	326004	33.5 kg

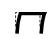
Triangle


Product	Code	Weight
4 x 4 ft (122 x 122 cm)	325008	17 kg
4 x 4 ft toplock (122 x 122 cm)	326008	17.5 kg


WHY LITE82 TOURING?

- A true second generation event staging product
- 19% less transport volume
- Completely bolted and non welded construction giving strength and accuracy
- Compatible with existing systems
- Protected edge of wood panel and high accuracy joins
- Integrated functionality for attachment of fascias or runway lighting brackets

 500 kg/m²

 Lateral loading 5%

 Plywood 18 mm

 54 kg (8 x 4 ft)

((RFID))
READY





LITE82 Basic

Rectangular

Product	Code	Weight
8 x 4 ft (244 x 122 cm)	327001	54 kg
8 x 2 ft (244 x 61 cm)	327002	33 kg
6 x 4 ft (183 x 122 cm)	327003	40 kg
4 x 2 ft (122 x 61 cm)	327005	18 kg
8 x 4 ft toplock (244 x 122 cm)	328001	55 kg
8 x 2 ft toplock (244 x 61 cm)	328002	34 kg
6 x 4 ft toplock (183 x 122 cm)	328003	41 kg
4 x 2 ft toplock (122 x 61 cm)	328005	18.5 kg

Square

Product	Code	Weight
4 x 4 ft (122 x 122 cm)	327004	33 kg
4 x 4 ft toplock (122 x 122 cm)	328004	33.5 kg

Triangle


Product	Code	Weight
4 x 4 ft (122 x 122 cm)	327008	17 kg
4 x 4 ft toplock (122 x 122 cm)	328008	17.5 kg


WHY LITE82 BASIC?


- Easy to pick up and handle
- A true second generation event staging product
- 19% less transport volume
- Completely bolted and non welded construction giving strength and accuracy
- Compatible with existing systems
- Protected edge of wood panel and high accuracy joins
- Integrated functionality for attachment of fascias or runway lighting brackets
- 100% compatible with existing Litedeck systems
- Hand grips for ease of handling
- More cost effective



 500 kg/m²

 Lateral loading 5%

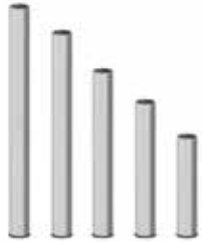
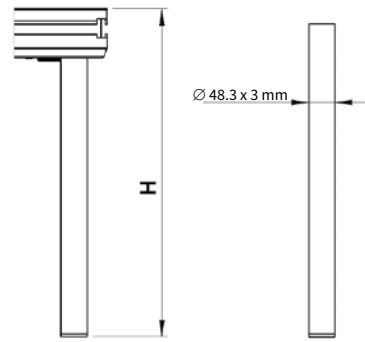
 Plywood 18 mm

 54 kg (8 x 4 ft)

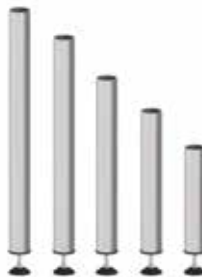
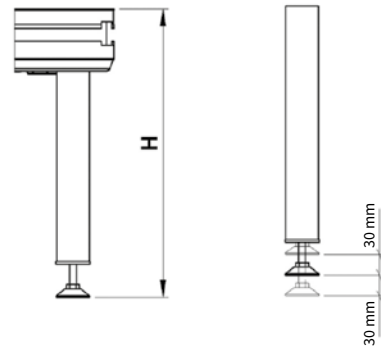





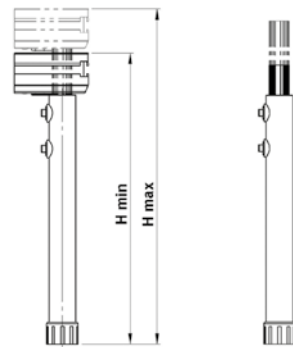
LEG		
Code	Length (H)	Weight
340001	20 cm	0.23 kg
340002	40 cm	0.46 kg
340003	60 cm	0.69 kg
340004	80 cm	0.93 kg
340005	100 cm	1.16 kg

ADJUSTABLE LEG		
Code	Length (H)	Weight
340007	20 cm	0.27 kg
340008	40 cm	0.49 kg
340009	60 cm	0.72 kg
340010	80 cm	0.95 kg
340011	100 cm	1.18 kg

TELESCOPIC LEG		
Code	Length (H)	Weight
340013	45 / 60 cm	1.89 kg
340014	60 / 90 cm	2.51 kg
340015	90 / 140 cm	3.57 kg
340016	100 / 160 cm	4.22 kg
340017	120 / 190 cm	5.1 kg

SWIVEL CASTOR LEG SINGLE	
340018	1.35 kg



SWIVEL CASTOR LEG DOUBLE	
340019	1.75 kg





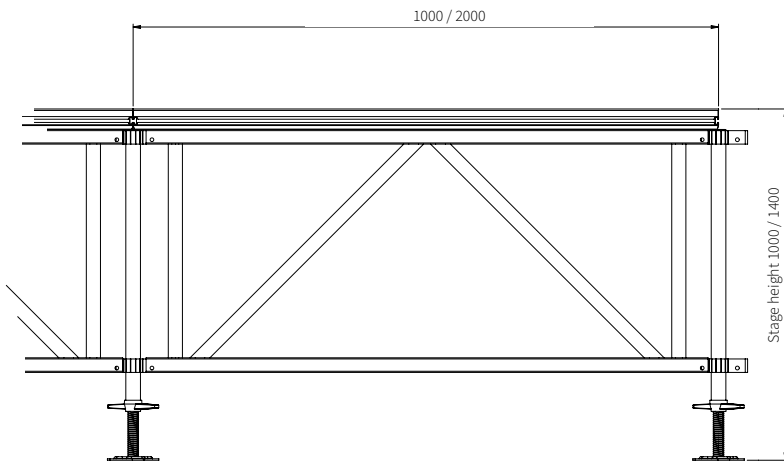
Subframes

Subframe B

Product	Code
Leg Subframe B120 Stage82	341004
Rack Subframe B120 Stage82 200 x 120 cm	341005
Rack Subframe B120 Stage82 100 x 120 cm	341006
Leg Subframe B160 Stage82	341007
Rack Subframe B160 Stage82 200 x 160 cm	341008
Rack Subframe B160 Stage82 100 x 160 cm	341009
Leg Subframe B200 Stage82	341010
Rack Subframe B200 Stage82 200 x 200 cm	341011
Rack Subframe B200 Stage82 100 x 200 cm	341012
L-Pin 16x135 drop nose	811008
Scaff Spindle 60 cm	251009

WHY SUBFRAME B?

- For STAGE82
- For indoor and outdoor use
- Easy to level
- Extremely easy and fast to build and use
- Adjustable in height
- Integration in roof systems (can replace ground ring)
- Made by reinforced profile
- Internal diagonals integrated
- No adapters needed
- Offers space for ballast
- Rigid construction: can be calculated as ballast weight



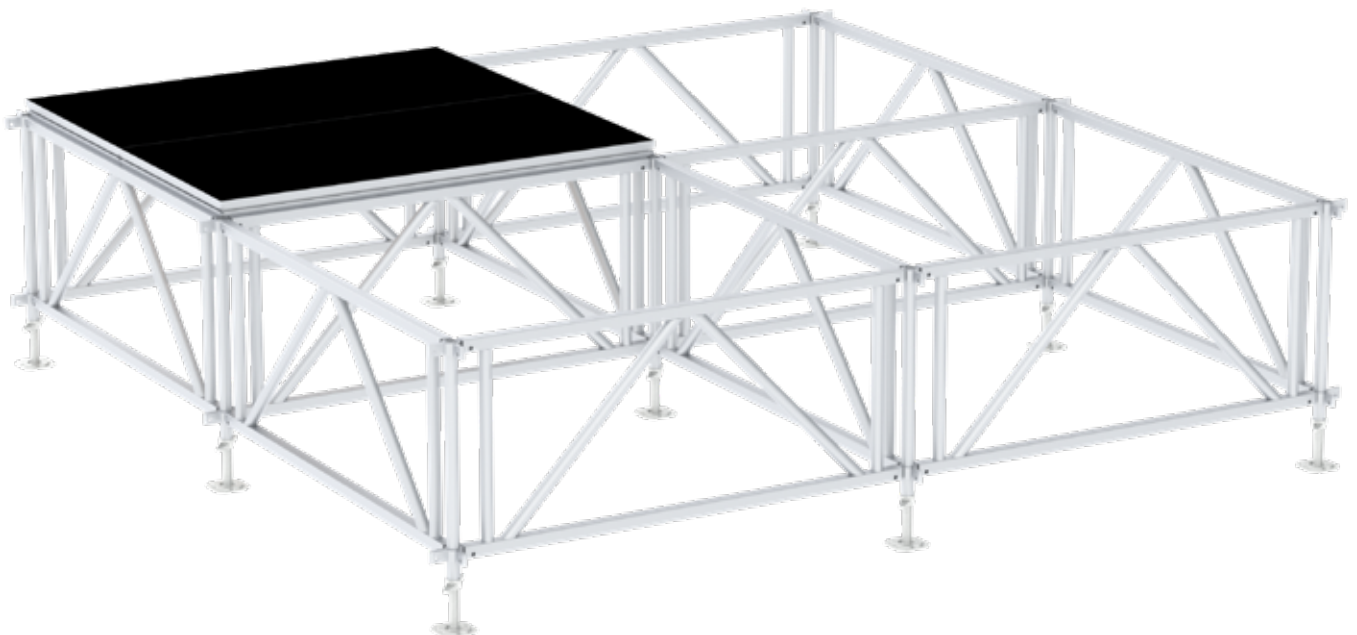
750 kg/m²

Lateral loading 10%

STAGE HEIGHT

120 cm	160 cm	200 cm
100 to 140 cm	140 to 180 cm	180 to 220 cm

All frames are available in 1 and 2 meter

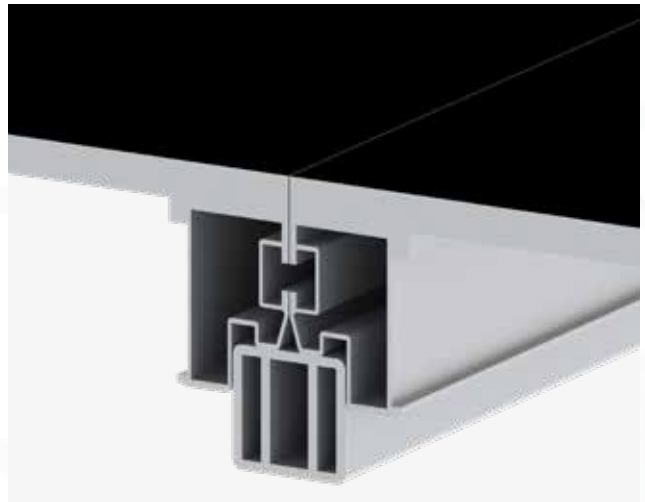




NO ADAPTERS NEEDED



cross section view

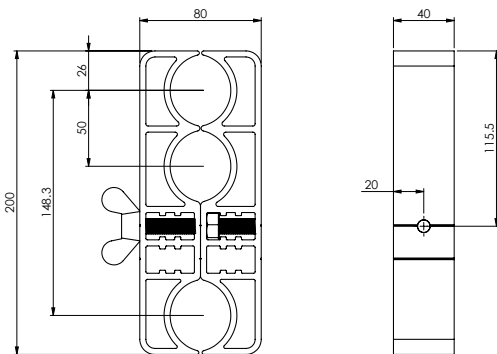
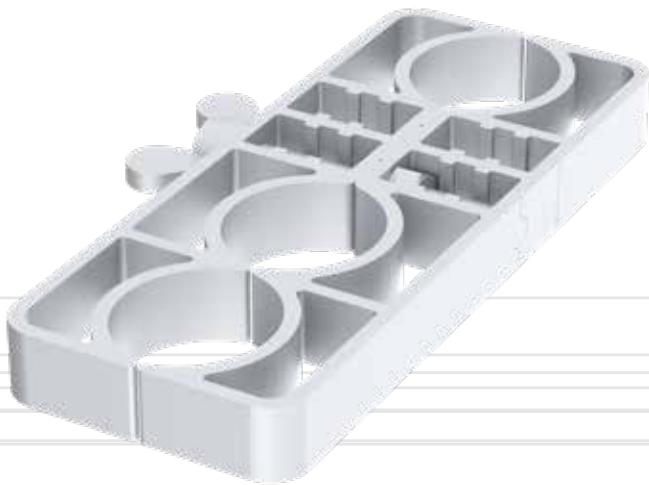


ETP multi-clamp

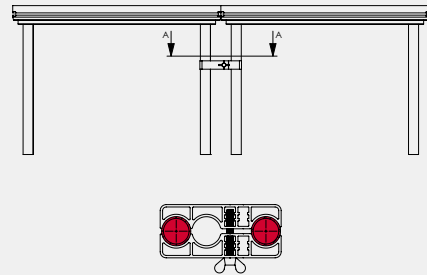
WHY: ETP MULTI-CLAMP

360035

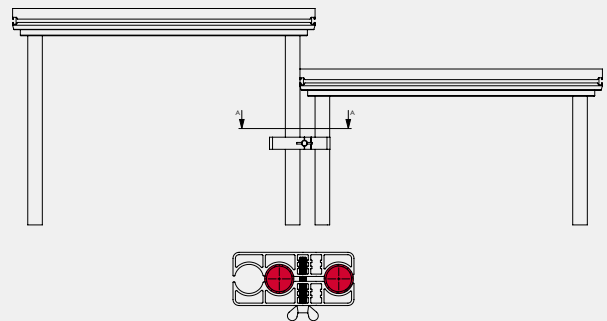
- Most stable design in the market
- Suitable for STAGE82 (48mm diameter legs)
- 1 position for interlocking legs when staging modules are at level
- 1 position for interlocking legs when staging modules are at different levels
- Can be used to connect vertical poles to the legs
- Full aluminium
- Easy to mount



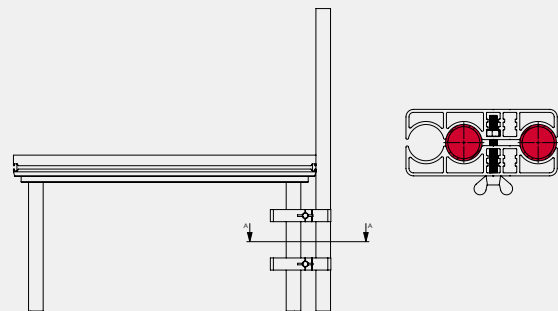
LEG-TO-LEG



GRAND-STAND

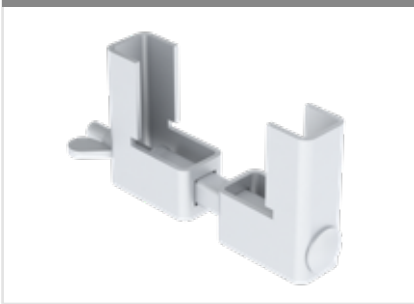


LEG-TO-POLE





STAGE-TO-STAGE CLAMP
360034 0.52 kg



NUT
816030 **M10**
0.02 kg



STAGE82 WINGNUT 30MM
360056



STAGE-TO-STAGE CONNECTOR
360004 0.05 kg



STAGE-TO-STAGE LEVELER
360005 0.07 kg



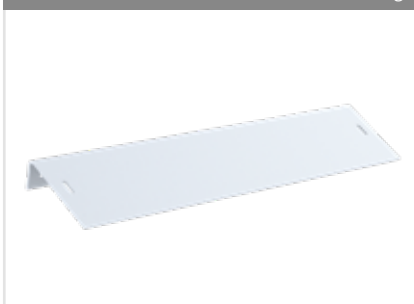
STAGE82 WINGNUT 80MM
360057



ETP MULTICLAMP
360035 0.61 kg



STEP-OFF PROFILE
360037 3.5 kg



STAGE82 GRANDSTAND CLAMP
360058



HOOK-ON PROFILE
Code Length Weight

360041	15 cm	0.1 kg
360042	35 cm	0.2 kg
360043	85 cm	0.52 kg
360044	135 cm	0.81 kg
360045	185 cm	1.13 kg
360046	600 cm	3.7 kg



KICKBOARD
Code Length Weight

360002	85 cm	0.76 kg
360003	185 cm	2.81 kg



SKIRTING PROFILE
Code Length Weight

360009	85 cm	0.56 kg
360010	100 cm	0.58 kg
360011	185 cm	1.14 kg
360012	200 cm	1.16 kg





Stairs Adjustable

	4 STEPS	5 STEPS
Height	min 40 cm / max 100 cm	min 50 cm / max 120 cm
Width overall	835 mm	835 mm
Load per step	150 kg	150 kg
Uniformly distributed load m ²	500 kg	500 kg
Weight	17.8 kg	21.6 kg
Article number	351015	351016

WHY STAIRS ADJUSTABLE?

- Fits to all stage modules of SIXTY82
- Integrated fixation system
- Steps with anti slip surface
- Full aluminium structure
- Flush out side for ease of transport
- Low self weight
- Use M10x50 (816036 + 816010) for assembly to LITE82

Assembly

T-BOLT
816026

M10



for STAGE82

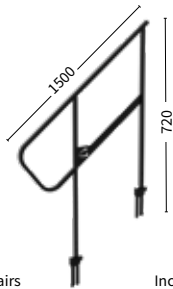


Handrail

HANDRAIL 4-5 STEPS

351017

3.78 kg



Can be used on both sides of stairs

Including accessories

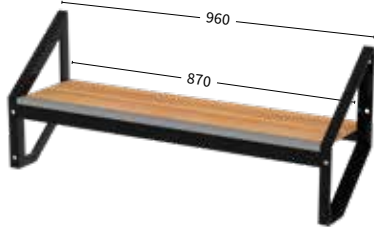




STAIRS MODULAR

351018

6.5 kg



Including accessories

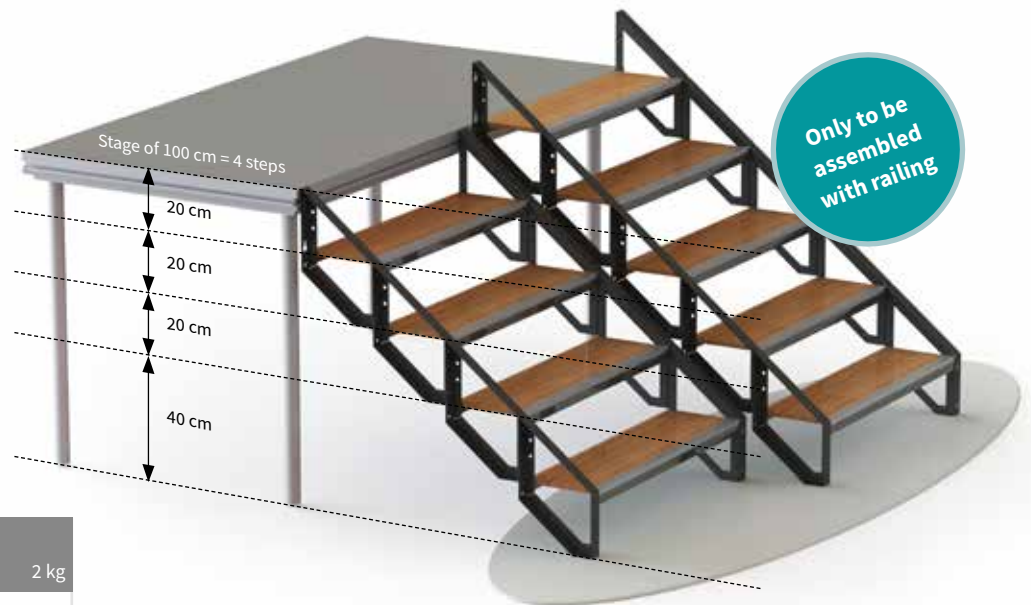
WHY STAIRS MODULAR?

- Fits to all stage modules of SIXTY82
- A single step unit, one-size fits all
- Bolted together to create stair height up to 140 cm
- Ideal for transport: optimised packaging volume due to flat-pack-design
- Anti-slip Steps
- Loading 500 kg/m²
- Protected front edge of steps
- Integrated handrail connection

Every element of modular stairs has a total height of 40cm, when mounted properly the height of the stairs will increase with steps of 20 cm.

The formula to calculate the amount of elements needed is:

$$\text{height of stage in cm} / 20 = \dots - 1$$

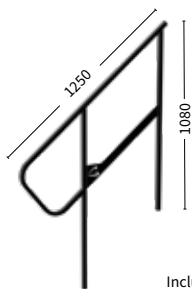


Handrail

HANDRAIL 3-4 STEPS

351021

2 kg

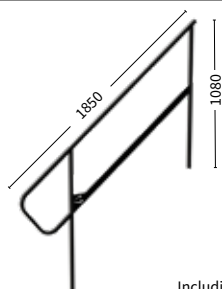


Including accessories

HANDRAIL 4-5 STEPS

351022

2.3 kg



Including accessories

Assembly

CONNECTOR

351023



for LITE82

T-BOLT

816026

M10



for STAGE82



Stage Railing

STAGE82

STAGE RAILING
350005 **30 KG/M**
7.34 kg

Including accessories

STAGE RAILING
350006 **30 KG/M**
11.46 kg

Including accessories

RAILING SPIGOT
350007 **0.6 kg**

STAGE RAILING ADJUSTABLE
350021

Including accessories

STAGE RAILING ADJUSTABLE
350022

Including accessories

RAILING SPACER
351013 **0.01 kg**

M10 x 110 / M10 x 020
(816019/816037 + 816020)

LITE82

STAGE RAILING

Code	Length	Weight
350001	2 ft	3.5 kg
350002	4 ft	6.5 kg
350003	6 ft	7.5 kg
350004	8 ft	9 kg

M10 x 90 (816028 + 816010)

STAGE RAILING VERTICAL BARS

Code	Length
350009	2 ft
350010	4 ft
350011	6 ft
350012	8 ft

M10 x 90 (816028 + 816010)

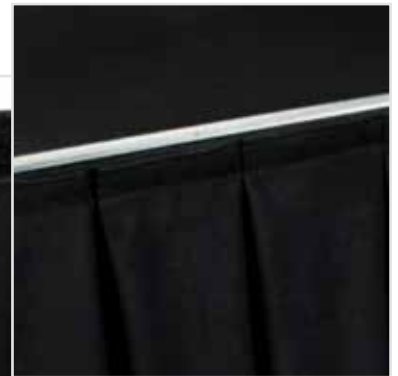




SKIRT STRAIGHT FINISH		Polyester 160 g/m ² - B1
Code	Length	
360013	20 x 100 cm	
360014	40 x 100 cm	
360015	60 x 100 cm	
360016	80 x 100 cm	
360017	100 x 100 cm	
360018	20 x 200 cm	
360019	40 x 200 cm	
360020	60 x 200 cm	
360021	80 x 200 cm	
360022	100 x 200 cm	



SKIRT PLEAT FINISH		Polyester 160 g/m ² - B1
Code	Length	
360023	20 x 100 cm	
360024	40 x 100 cm	
360025	60 x 100 cm	
360026	80 x 100 cm	
360027	100 x 100 cm	
360028	20 x 200 cm	
360029	40 x 200 cm	
360030	60 x 200 cm	
360031	80 x 200 cm	
360032	100 x 200 cm	

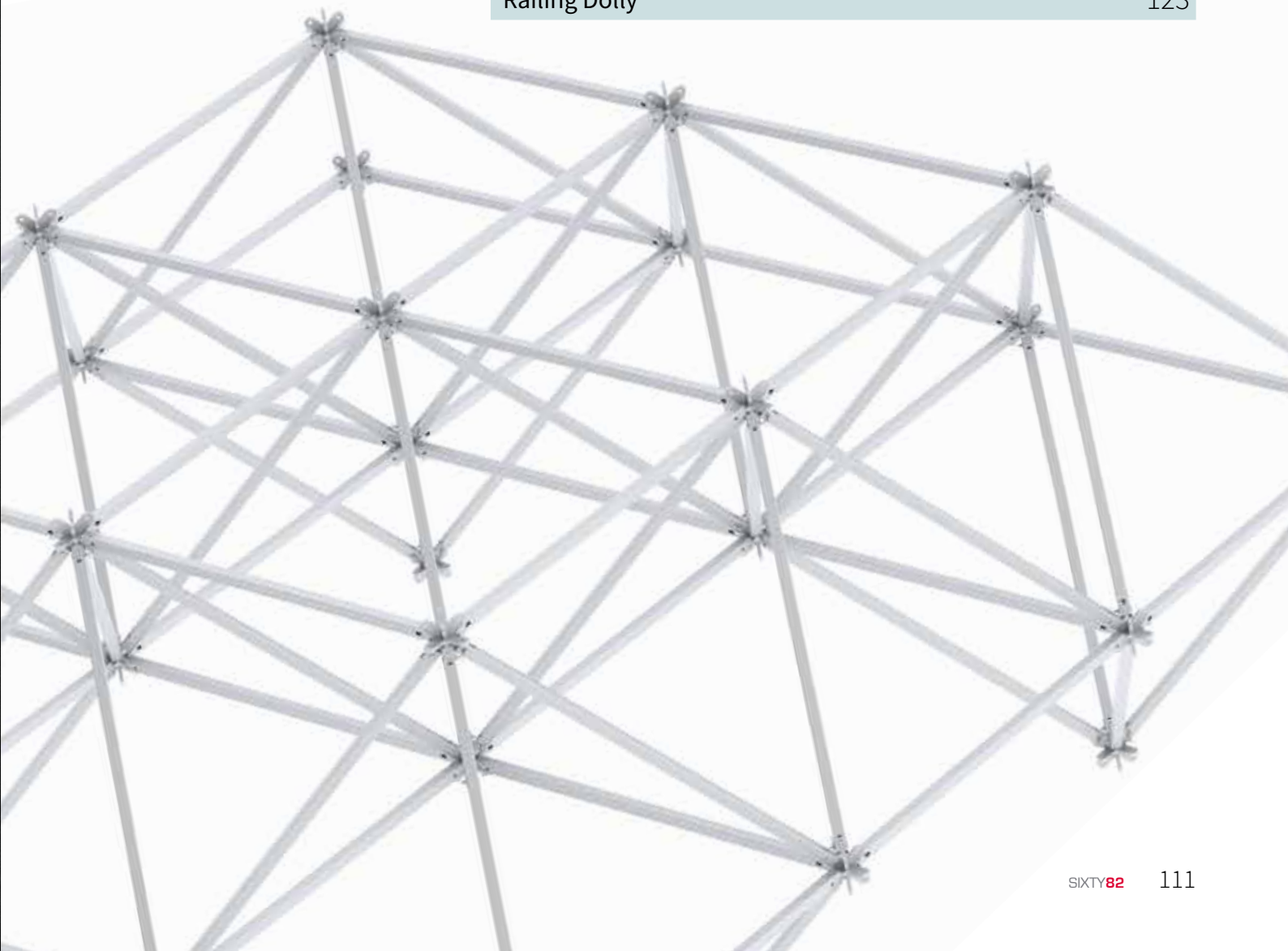




Speedglas
3M



Tube	112
Booth82	113
Stick82	114
Node82	115
Truss Cover	116
Truss Dolly	118
Base Plate Dolly	119
Vario Dolly	120
Crate Dolly	121
Stage Dolly	122
Railing Dolly	123





Tube

TUBE

Code	Length
225001	50 cm
225002	75 cm
225003	100 cm
225006	150 cm
225004	200 cm
225007	250 cm
225005	300 cm
225008	400 cm



ø 48.3 x 3

TUBE CONICAL COUPLER

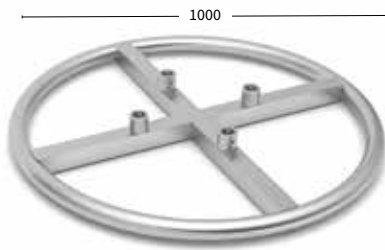
Code	Length	Weight
221001	50 cm	0.75 kg
221002	75 cm	0.98 kg
221003	100 cm	1.33 kg
221006	150 cm	2 kg
221004	200 cm	2.48 kg
221007	250 cm	3.03 kg
221005	300 cm	3.63 kg
221008	400 cm	4.78 kg



ø 48.3 x 3

TOP CIRCLE M29S

229003



Excluding accessories

TUBE CONICAL COUPLER BLACK

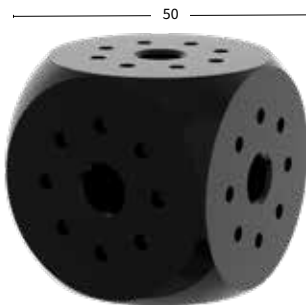
Code	Length	Weight
221201	50 cm	0.75 kg
221202	75 cm	0.98 kg
221203	100 cm	1.33 kg
221206	150 cm	2 kg
221204	200 cm	2.48 kg
221207	250 cm	3.03 kg
221205	300 cm	3.63 kg
221208	400 cm	4.78 kg



ø 48.3 x 3

CUBE M BLACK

202445

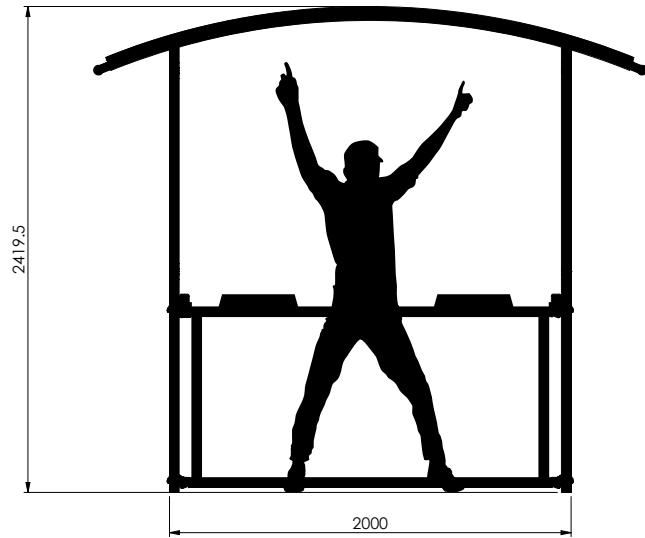




WHY BOOTH82?

- Very compact & light
- Beautiful appearance
- Multi-useable
- Is used in combination with STAGE82
- Easy to transport
- Easy to assemble (one man's job)

BOOTH82
700134





STICK82

WHY STICK82?

- Complete tower (tube + base)
- Steel base plate (black powder coated)
- Slotted ends allow cables to pass through the tube. Ensuring a clean and finished look for your event

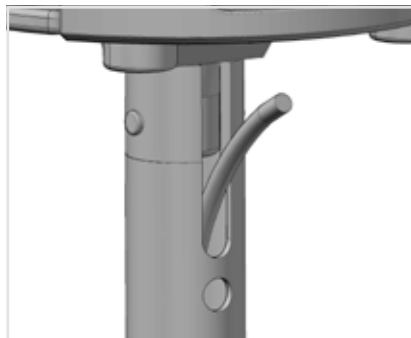
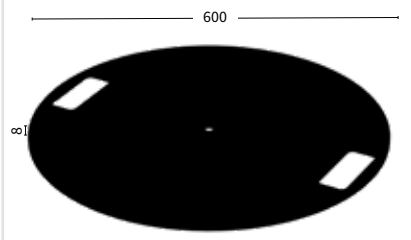
POLE
299002

2.25 kg

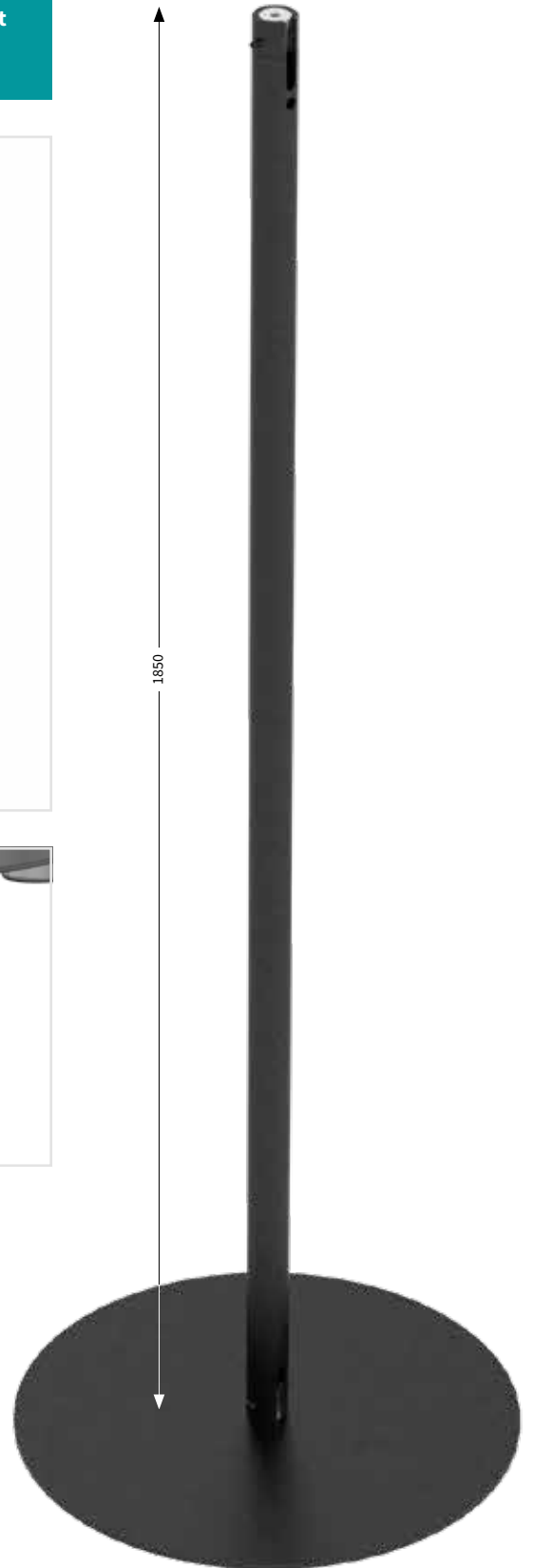


BASE
299001

18 kg



1850





WHY NODE82?

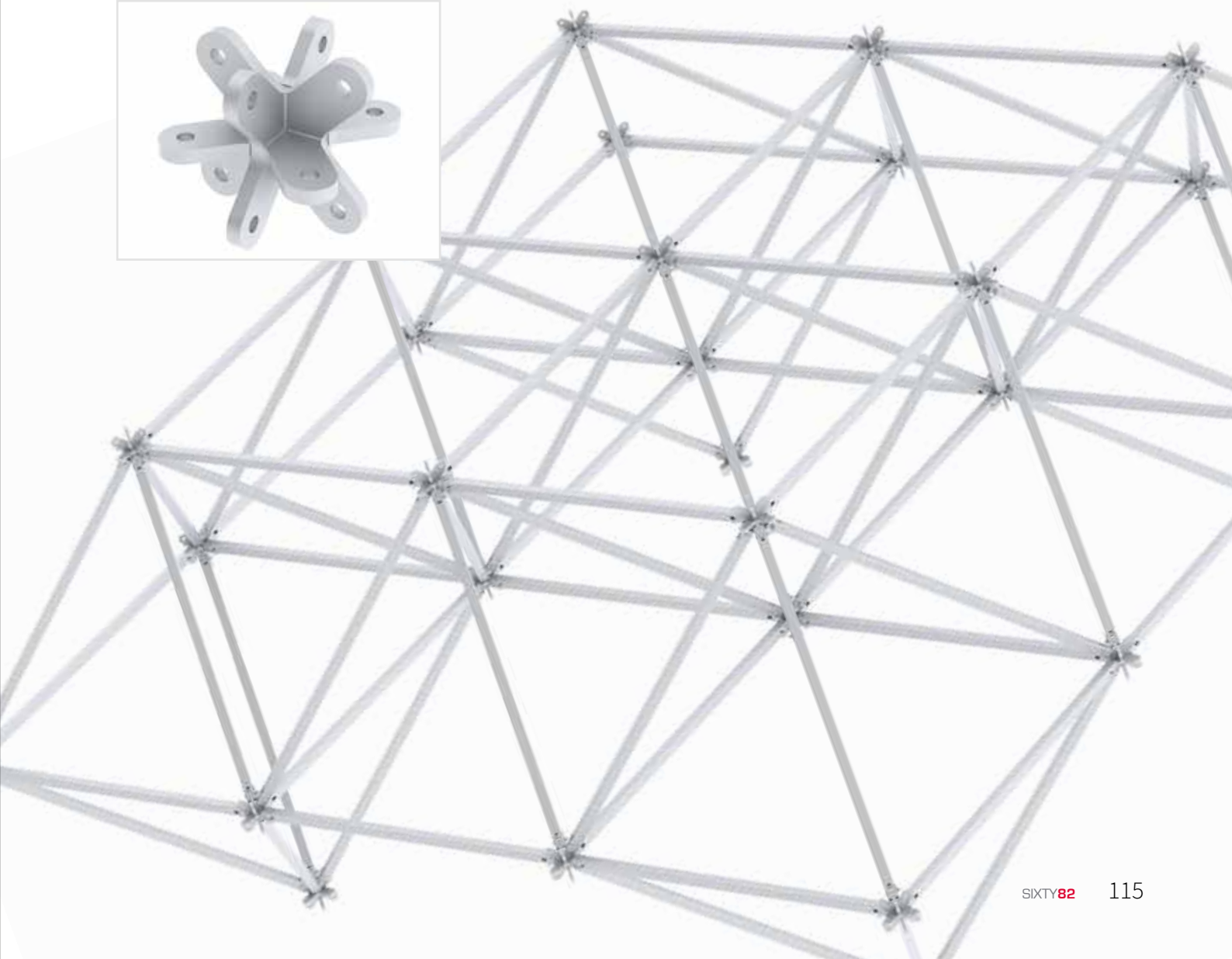
- Create your own 3D structure for all kind of decoration and structural applications
- Extremely versatile
- High load bearing capacity combined with low self weight
- Extremely low transport volume
- Easy to build

Cross 12-Way	189001
Profile 60 cm	189002
Profile 100 cm	189003
Profile 150 cm	189004
Profile 200 cm	189005
Profile 300 cm	189006
R-Spring	202005
Pin M-LP16-44-51	202020



Aluminium NODE
183 x 183 x 183 mm
Self-weight 6 kg

Aluminium beam 50 x 50 mm
Self-weight 2.9 kg/m
High load capacity





TRUSS COVER



WHY TRUSS COVER?

- A great and easy way to cover your truss-construction
- Can be used for fabrics with a silicon edge
- An alternative for stress covering
- With just one standard profile
- Standard corners
- Easy Click connectors

FABRIC TENSION EXTRUSION

216001



KNUCKLE JOINT

216002

2.3 kg



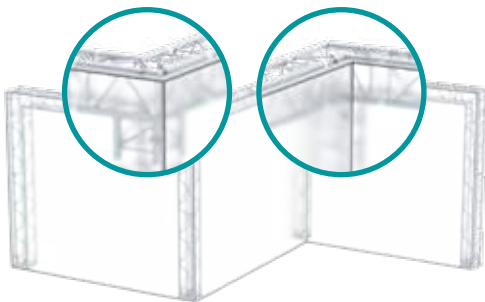
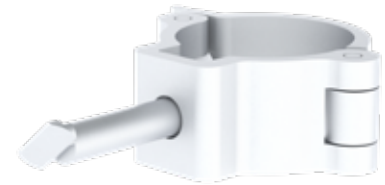
INTERNAL CONNECTOR STRAIGHT

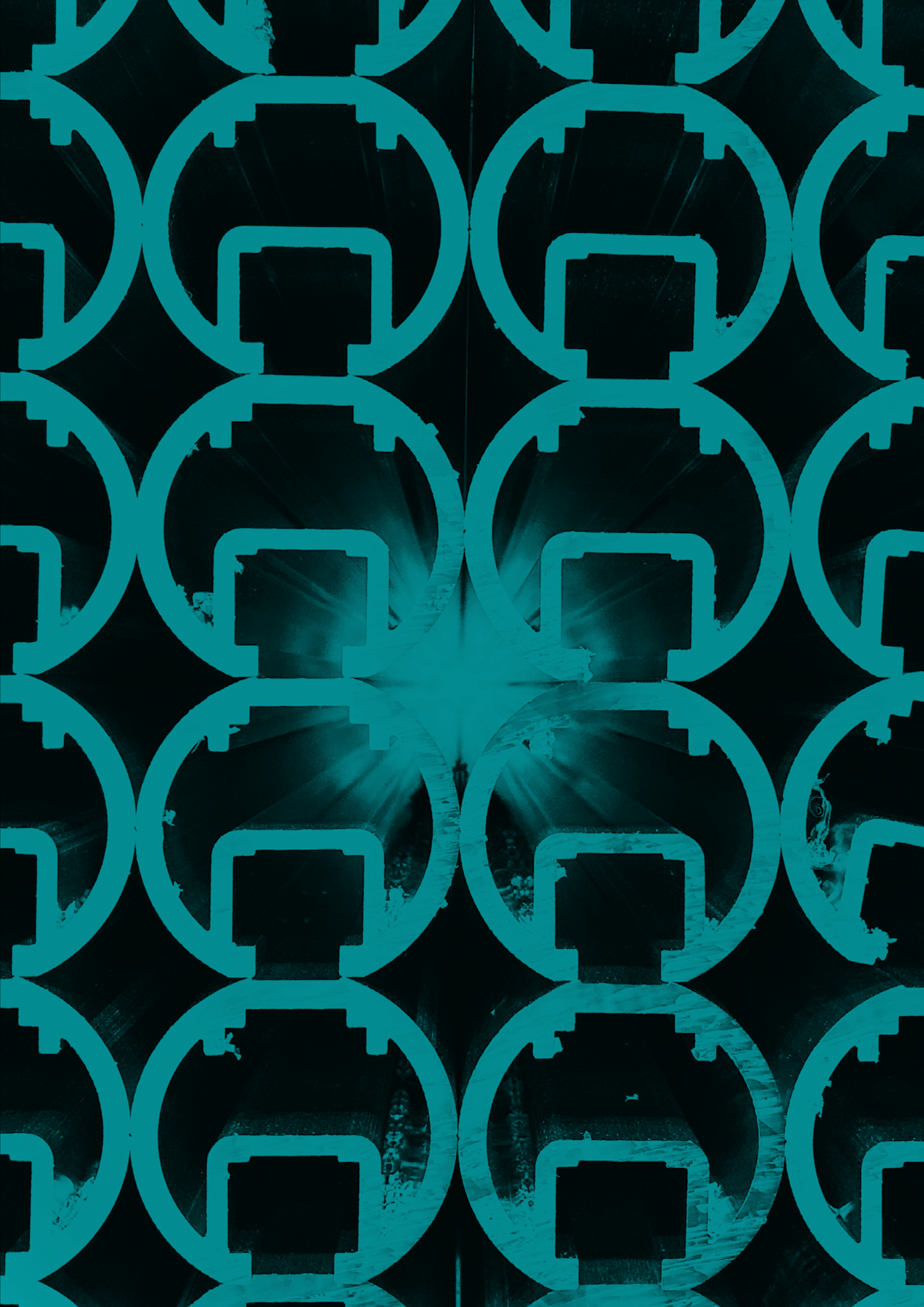
216003



TRUSS COVER CLAMP

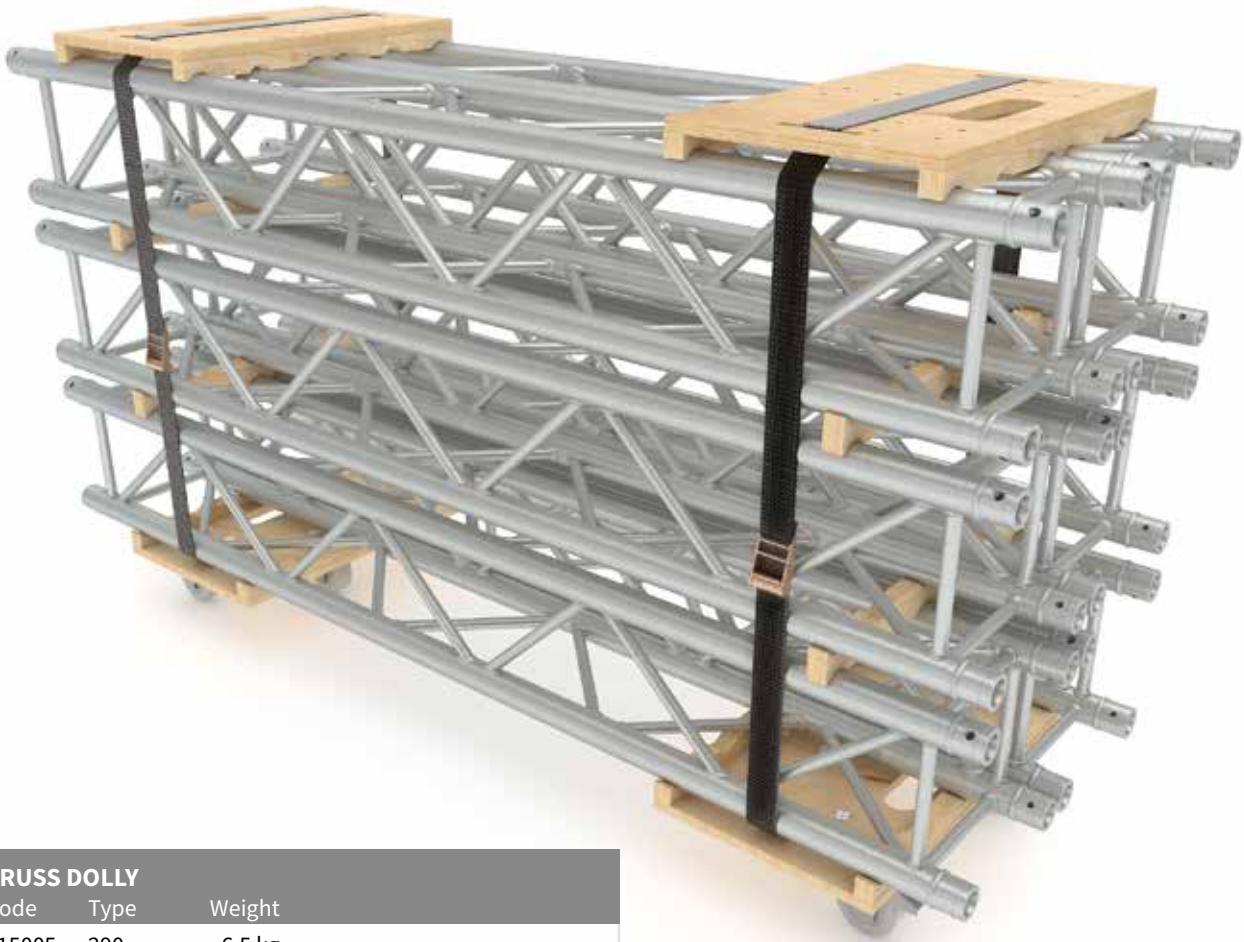
216005







Truss Dolly



TRUSS DOLLY

Code	Type	Weight
215005	290	6.5 kg
215006	390	7.3 kg



STACKING BAR DOUBLE

Code	Type	Weight
215003	M29	1.8 kg
215004	M39	2.5 kg



STACKING BAR

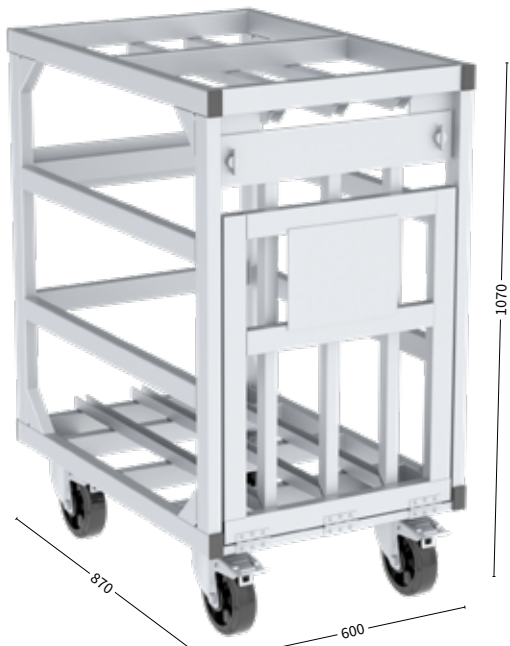
Code	Type	Weight
215001	M29	0.5 kg
215002	M39	0.7 kg



Base Plate Dolly



BASE PLATE DOLLY
215011



For 6 baseplates 80 cm round

BASE PLATE DOLLY
215012



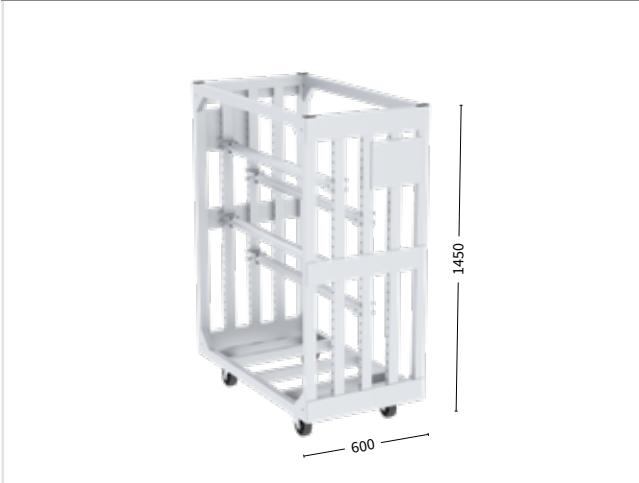
For 6 baseplates 80 cm square



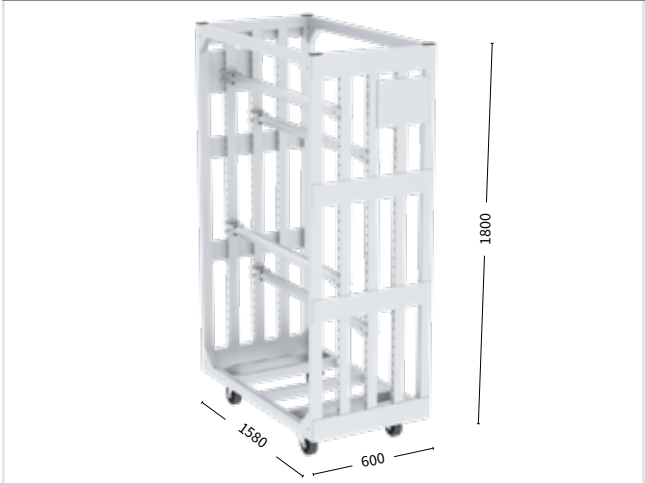


Vario Dolly

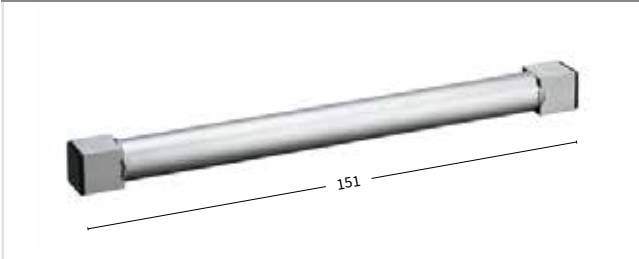
VARIO DOLLY 4-3H
215007



VARIO DOLLY 4-4H
215008



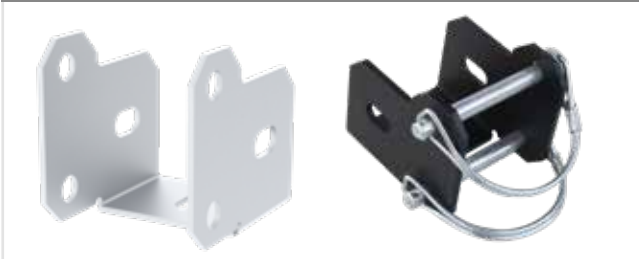
TUBE
215015



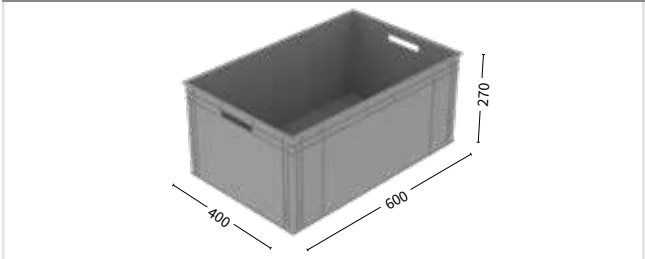
LOCKING PIN
215014



SUSPENSION BRACKET
215017



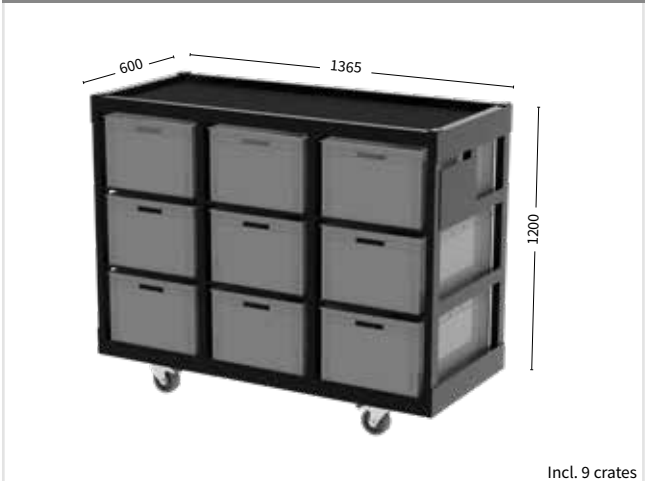
CRATE
215016



TOP CRATE
215010



CRATE DOLLY
215009



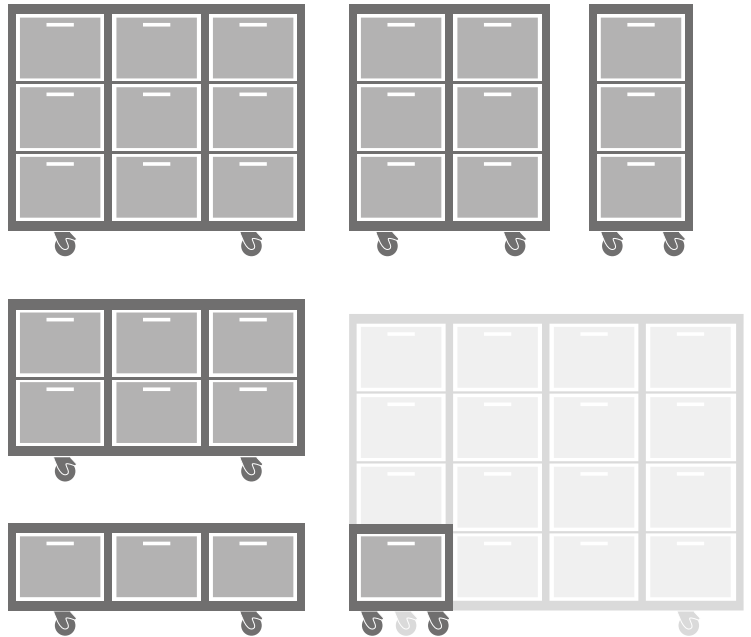
Incl. 9 crates

CRATE DOLLY



WHY CRATE DOLLY 215009

- Easy on the road storage system
- Endless possibilities
- Can be ordered in many possible configurations
- Crates can not fall out during transport (locking system)
- Available with handles
- Top crate and countertop available
- Including wheels and brakes-system
- Size of DOLLY: from 1x2 till 4x4 crates
- Different size and type of crates
- Light in use





Stage Dolly

STAGE DOLLY
215018

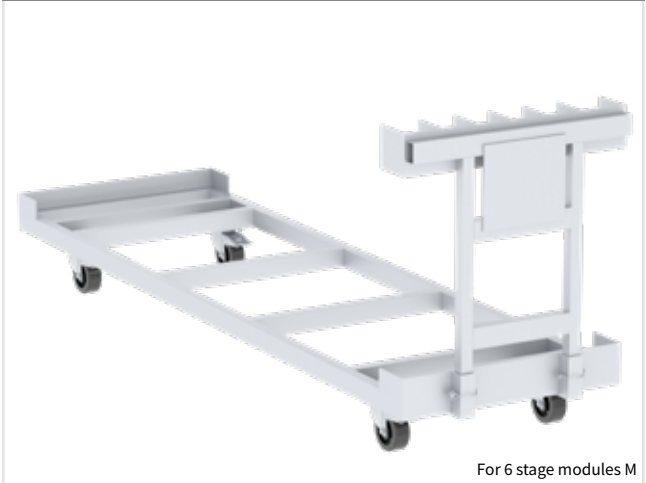
48.5 kg



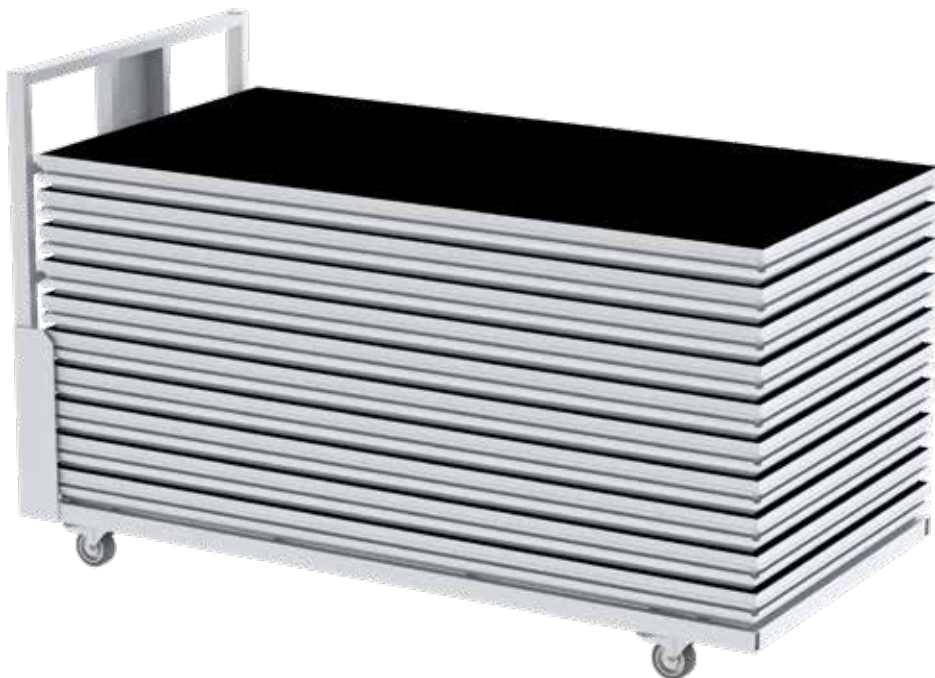
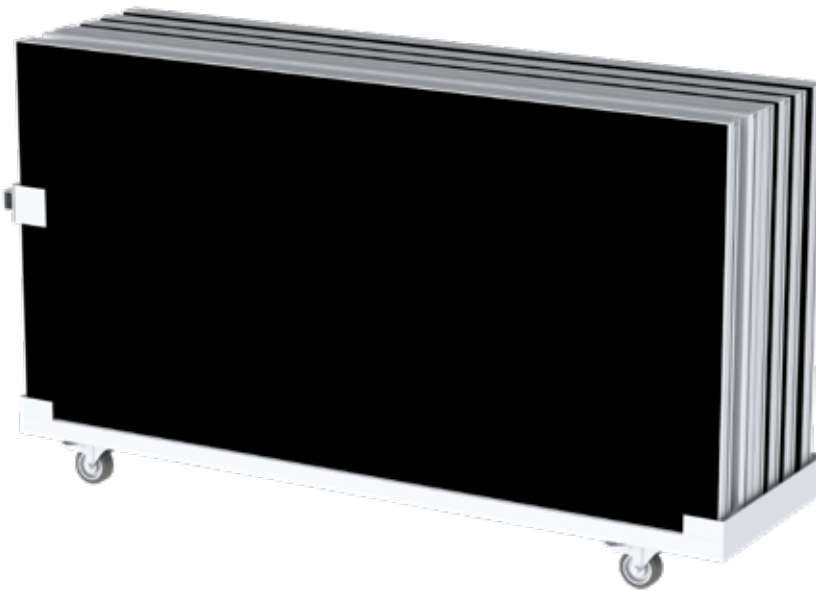
For 12 stage modules M

STAGE DOLLY
215020

41.9 kg



For 6 stage modules M

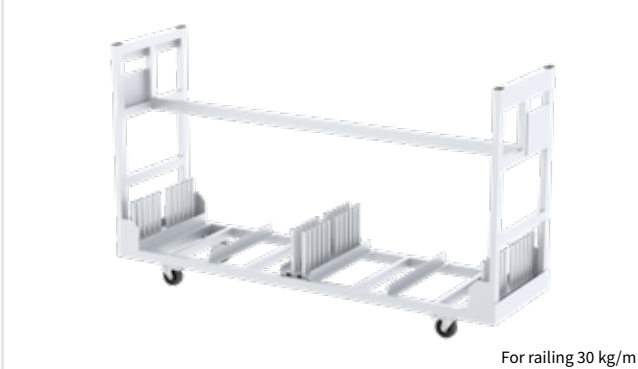


Railing Dolly



RAILING DOLLY
215022

52.8 kg



For railing 30 kg/m

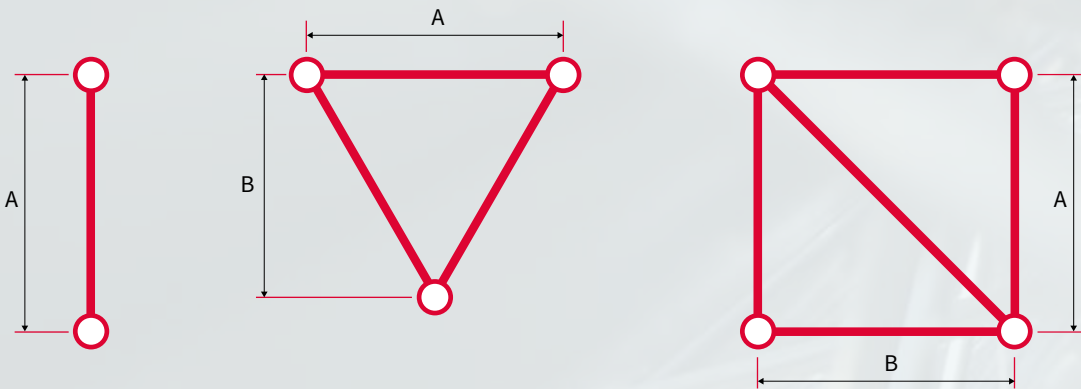


All dollies are
available in
other sizes

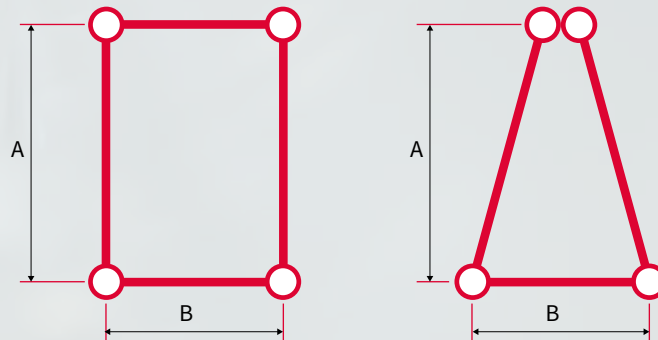


Data Center

Type	Coupler type	Truss width	Truss height	Material	Cross section tubes				Dead weight	RFID
					Main chord		Diagonals			
					∅ mm	≠ mm	∅ mm	≠ mm		
M29L	Model M	239	0	EN AW 6082 T6	48.3	3	16	2	3	✓
M29T		239	207		48.3	3	16	2	5	
M29TX		239	207		51	2	16	2	4	
M29S		239	239		48.3	3	16	2	6.3	
M39T		339	294		48.3	3	16	2	5.5	
M39S		339	339		48.3	3	16	2	6.9	
M39R		339	339		48.3	3	16	2	6.9	
M39TOW		339	339		50	4	25	3	12	
L35S	Model L	299	299		50	4	30	3	12	✓
L35R		299	207		50	4	30	3	11	
L52S		470	470		50	4	30	3	15	
L53TOW		470	470		60	5	30	3	17.5	
XL101R		950	520		60	6	48.3	3	25	
XL101F	950	520	60	6	48.3	3	25			

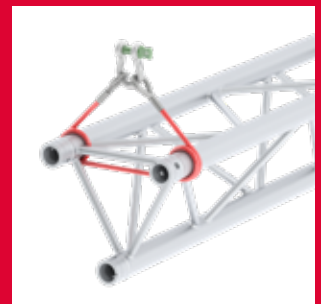
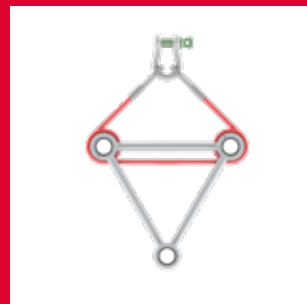
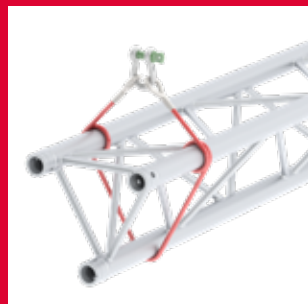
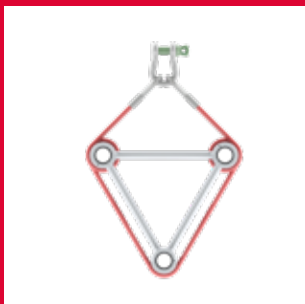
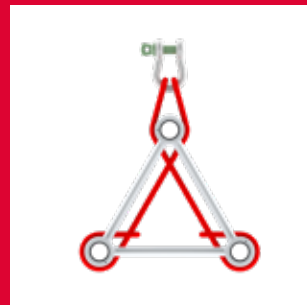
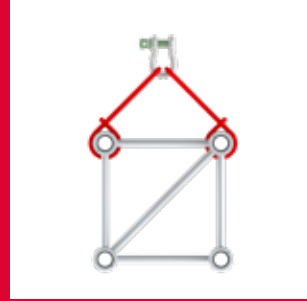
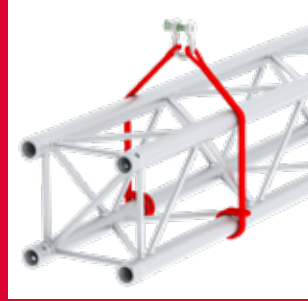
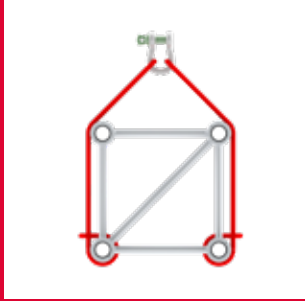


Type	Cross section truss					Permissible internal forces truss				
	A cm ²	I _y cm ⁴	I _z cm ⁴	I _y cm	I _z cm	Bending moment		Normal force N kN	Transversal force	
						My kNm	Mz kNm		V _y kN	V _z kN
M29L	8.54	1055.16	22	11.12	1.61	12.08	-	101.1	-	7.36
M29T	12.81	1064.71	1064.71	9.12	9.12	10.46	12.08	151.65	7.36	12.76
M29TX	9.24	771.16	771.01	9.14	9.14	7.55	8.71	109.36	12.76	7.36
M29S	17.08	2110.33	2110.33	11.12	11.12	24.16	24.16	202.2	14.73	14.73
M39T	12.81	2119.23	2119.23	12.86	12.85	14.86	17.14	151.65	9.47	16.4
M39S	17.08	4207.89	4207.89	15.7	15.7	34.27	34.27	202.2	18.94	18.94
M39R	17.08	4207.89	2110.33	15.7	11.13	34.27	24.16	202.2	18.94	14.73
M39TOW	23.12	5698.96	5500	15.7	15.42	36.06	36.06	212.77	40.22	40.22
L35S	23.12	4445.05	4445.05	13.87	13.87	40.93	40.93	273.77	45.48	45.48
L35R	23.12	4445.05	1750	13.87	8.7	40.93	-	273.77	-	45.48
L52S	23.12	10906.19	10906.19	21.72	21.72	64.33	64.33	273.77	42.61	42.61
L53TOW	34.6	16334	16334	21.74	21.74	58.6	58.6	249	28.8	28.8
XL101R	40.72	78211.52	23522.57	43.83	24.04	224.32	122.79	472.26	42.54	90.48
XL101F	-	78211.52	-	43.83	-	224.32	-	472.26	-	86.61



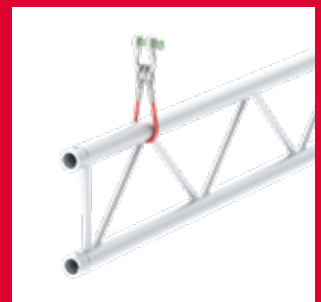
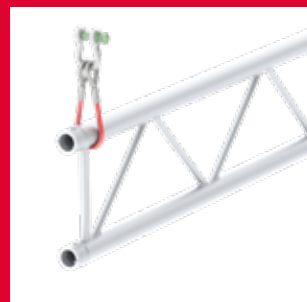
User information

Suggested slinging methods



Ladder truss

These need special attention for slinging. Stabilisation of the top chord is vital for the load capacity. Only the bottom chord shall be loaded. Other load applications need structural analysis before use.



Slinging shall be applied solely at the main chords, not at the couplers or internal braces unless approved by a chartered engineer. Slinging shall be applied at node point, or as close as possible aside end braces, diagonals, and horizontal cross braces. Slinging equipment shall be made from non-abrasive and fire retardant materials.

For further information, please refer to the SIXTY82 original user manual.







Our network



SIXTY82

- | | | |
|-----------------|----------------------|------------------|
| The Netherlands | Ukraine | Singapore |
| United Kingdom | Hungary | Taiwan |
| France | Saudi Arabia | Thailand |
| Ireland | Oman | Vietnam |
| Belgium | United Arab Emirates | Cambodia |
| Denmark | APAC | Laos |
| Germany | Australia | Myanmar |
| Luxembourg | Hong Kong | Sri Lanka |
| Switzerland | China | New Caledonia |
| Italy | Macau | Papua New Guinea |
| Spain | Indonesia | Mongolia |
| Portugal | India | Brunei |
| Norway | Pakistan | Nepal |
| Finland | South Korea | Bhutan |
| Sweden | Malaysia | Bangladesh |
| Latvia | New Zealand | Japan |
| Lithuania | Philippines | |



Official SIXTY82 offices

SIXTY82-NL Headquarters

Ampèrelaan 9
9207 AM Drachten
The Netherlands

Phone: +31 88 13 422 00
Email: info@SIXTY82.nl

APAC

SIXTY82 Doughty Asia

Lot 59-1, Jalan 51/205
46050, Petaling Jaya, Selangor
Phone: +603 7781 3357/3552
Mail: info@sixty82-doughty.com

Japan

SIXTY82 Doughty Japan

332-0012 埼玉県蕨市栄1-15-7
Honcho, Kawaguchi Shi, Saitama 332-0012 Japan
Phone: +81 3 6912 9720

Germany

SIXTY82 German Division

Ampèrelaan 9
9207 AM Drachten
Phone: +31 8813 42208
Mail: info@sixty82.de

Please inform our website for the latest updates about our distribution network

Distributors

The Netherlands

Farrows

Ampèrelaan 9
9207 AM Drachten
Phone: +31 8800 09900
Mail: info@farrows.nl

SENCI

Nijverheidsweg 20
7671 DA Vriezenveen
Phone: +31 8530 36597
Mail: info@senci.nl

United Kingdom

A.C. Entertainment Technologies

Headoffice
Centauri House, Hillbottom Road,
High Wycombe, Buckinghamshire.
HP12 4HQ
Phone: +44 1494 446000
Mail: sixty82@ac-et.com

A.C. Entertainment Technologies

Leeds Office (Northern UK Sales)
Hawthorn Commercial Centre,
Elder Road, Leeds, West Yorkshire.
LS13 4AT
Phone: +44 1132 557666
Mail: sixty82@ac-et.com

Production Park

5 Langthwaite Road
Langthwaite Business Park
South Kirkby, Wakefield
West Yorkshire WF9 3AP
Mail: info@sixty82.nl

Ireland

A.C. Entertainment Technologies Ireland Ltd.

Coliemore House, Coliemore Road,
Dalkey, Dublin
Phone: +3538 7460 0202
Mail: sales@ac-et.ie

France

Axente

1, allée d'Effiat,
91160 Longjumeau
Phone: +33 1691 05076
Mail: sixty82@axente.fr

Denmark

European Tour Production Aps

Stamholmen 93
2560 Hvidovre
Phone: +45 3630 7080
Mail: sixty82@etp.nu

Luxembourg

Codex Events S.A.

36, rue d'Oetrange
L-5411 Canach
Phone: +35 2264 83333
Mail: info@codex.lu

Switzerland

CAST

Route de Chavalon Z.I. C 77
1844 Villeneuve VD
Phone: +41 2196 56000
Mail: mail@castinfo.ch

Italy

Audiosales s.r.l.

Via Ugo Bianchi 23
43058 Sorbolo (PR)
Phone: +39 0521 690290
Mail: info@audiosales.it

Latvia

JSA Europe / Stage Company

Headoffice
Lielirbes iela 1, office B- 212
Riga LV-1046
Phone: +37 1277 74848
Mail: welcome@jsa-stage.company

Japan

Sun Effects

1A 5-chōme-28-12 Daizawa, Setagaya
City, Tōkyō-to 155-0032, Japan
Phone: +81 3680 54543
Mail: CONTACT@SUNEFFECTS.COM

Spain

Stonex

Cuclillo Street 5
28019 Madrid
Phone: +34 9142 81050
Mail: stonex@stonexsl.com

Lithuania

Scenos Techninis Servisas

Aukštaičių str. 6
11341 Vilnius
Phone: +37 0527 52219
Mail: mail@sts.lt

Belgium

Velleman

Legen Heirweg 33
B-9890 GAVERE
Belgium
Phone: +32 9384 3611
Mail: sales@velleman.eu

Portugal

SET2STAGE

Rua Gomes de Amorim nº 1158,
4490-091 - Póvoa de Varzim
Phone: +35 1910 271125
Mail: marcosdematos@set2stage.pt

Ukraine

JSA Europe / Stage Company

Yevhena Konovaltsia st. 103
office 414 L'viv, 79000
Phone: +38 0443 614848
Mail: welcome@jsa-stage.com

Norway

First Audio

Haavard Martinsens vei 19 A
0978 Oslo
Phone: +47 4000 5166
Mail: info@firstaudio.no

Finland

Electro Waves Oy

Headoffice
Ruukintie 2
02330 Espoo
Phone: +20 1200 100
Mail: info@electrowaves.fi

Hungary

DP Music

Gyár u.2.
H-2040-Budaörs
Phone: +36 2388 6980
Mail: info@dpmusic.hu

Sweden

Electro Waves Oy filial Sverige

Åkerby 4
645 94 Strängnäs
Phone: +46 070 7311444
Mail: info@electrowaves.eu

Saudi Arabia, Oman, UAE

Unusual Rigging & Engineering LLC

PO Box 283586
Dubai, UAE
Phone: +971 4885 9009
Mail: dubai@unusualrigging.com

Resellers

Germany

CAST C.ADOLPH & RST DISTRIBUTION

Official competence centre

Kabeler Str. 54a

D-58099 Hagen

Phone: +49 2331 691500

Mail: mail@castinfo.de

Edelmat. GmbH

Veranstaltungstechnik

Eichborndamm 167, Gebäude 55

13403 Berlin

Phone: +49 3076 7373200

Mail: SIXTY82@edelmat.de

PM White GmbH

Billbrookdeich 210

22113 Hamburg

Phone: +49 4054 8085200

Mail: SIXTY82@pmwhite.de

BTH.GbR

Fachgroßhandel für

Veranstaltungstechnik

Auf dem Kalköfele 5

89597 Munderkingen

Phone: +49 7393 4081440

Mail: SIXTY82@BTHG.de

STROMSTOSS Vertriebsgesellschaft

GmbH

Schwarze Breite 7a

34216 Kaufungen

Phone: +49 5619 531617

Mail: SIXTY82@stromstoss.de

Credits

Author: Sybrèn DIJKHOFF

Catalogue design: Tieme DEKKER

With contributions from NL, FR and UK with love

PVersion: V20.1

© 2020 SIXTY82, Drachten NL

All rights reserved. No part of this publication may be reproduced in any manner without permission.

 <https://www.facebook.com/SIXTY82>

 www.SIXTY82.nl



SIXTY82™

Sixty82 BV

Ampèrelaan 9 | 9207 AM Drachten | The Netherlands

+31 88 13 422 00

info@sixty82.nl

www.sixty82.nl

The New Original